

# Data Sheet

## 90° Wafer w/o mounting Flange

**Pitch: 2,54 mm**

**Serie: A14F015**

### Customer Information for special Item

**EDCON Customer : 0**

**Customer Version No. : 0**

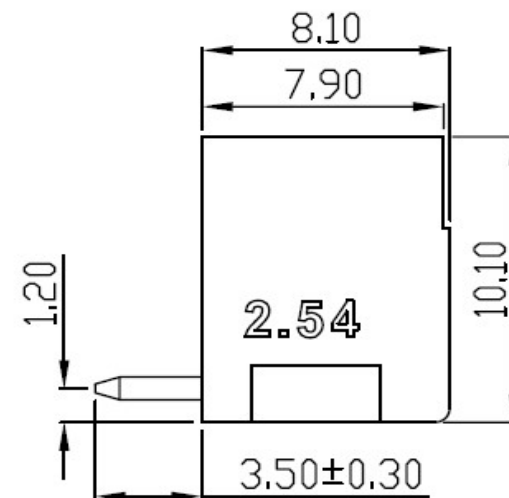
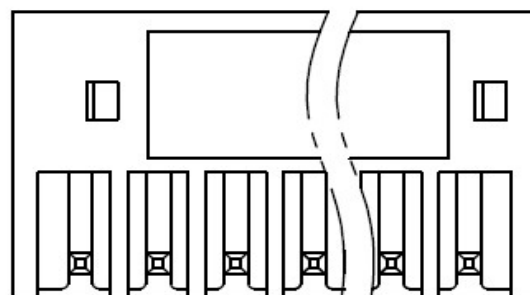
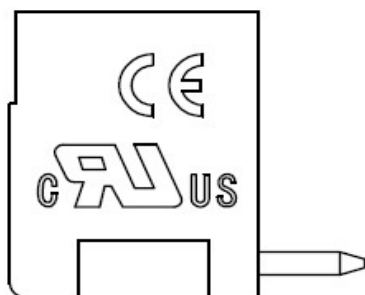
# EDCON-COMPONENTS



## Technical Discription

## Drawing (Dimension in mm)

UL/CUL Techn.Data			
Use Group	B	C	D
Rated Voltage: (V)	125	-	150
Rated Current: (A)	4	-	5
Wire Range Solid / Stranged			
Withstanding Voltage:	1250V/1Min		
IEC Techn. Data VDE			
Overvoltage Category	III	III	II
Contamination Class	3	2	2
Rated Voltage: (V)	-	160	200
Rated Current: (A)	-	4	4
Impulse withstand Voltage (KV)	-	2,5	2,5
Conductor Cross Section (mm <sup>2</sup> )			



### Material

Insulator Material:	PA66
Imflammability:	UL94V-0
Contact Material	Copper Alloy
Surface Coating:	Tin Plated

### Other Informations

Pitch:(mm)	2,54
Poles: (P)	2 ~ 24
Stripping Length: (mm)	-
Srew Torque max.(Nm)	-
Operating Temp.: (°C)	-.40°C to +105°C
Pin Dimension: (mm)	3,5
PCB Hole Diamter (mm)	1,4

### Tolerances unless otherwise specified (mm)

x	x.x	x.xx	x.xxx	Angle
±	±0,60	±0,30	±0,10	±3°
DRW:	Jason	CHKD	Wilson	MATL:
APPD:	Schumi			FINISH
				Jamy
				TOLERANCE
				Mason
				DATE
				01.02.2023
				Sheet No.
				1 from 4

### 90° Wafer w/o mounting Flange

Part No.: **A14F015**

Customer:

[www.edcon-components.com](http://www.edcon-components.com)

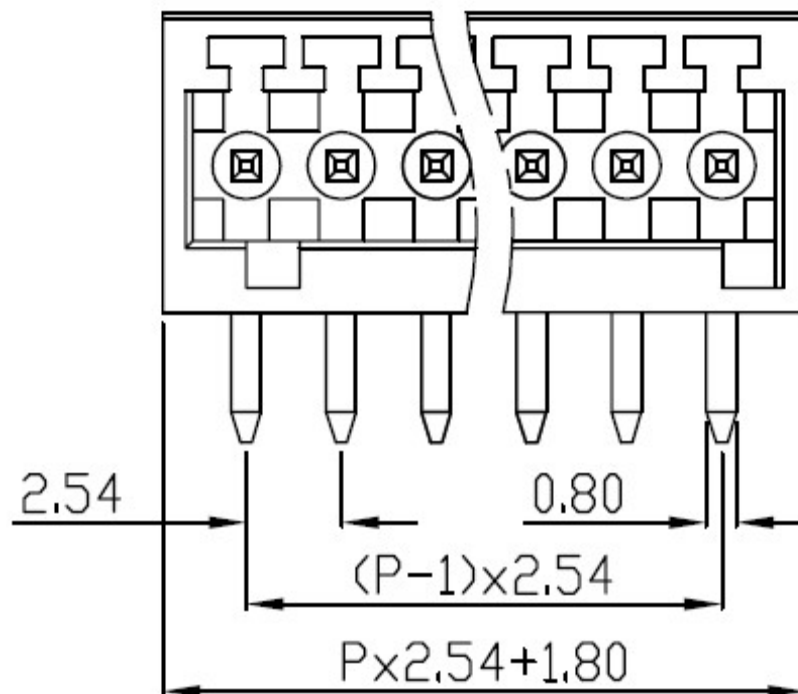
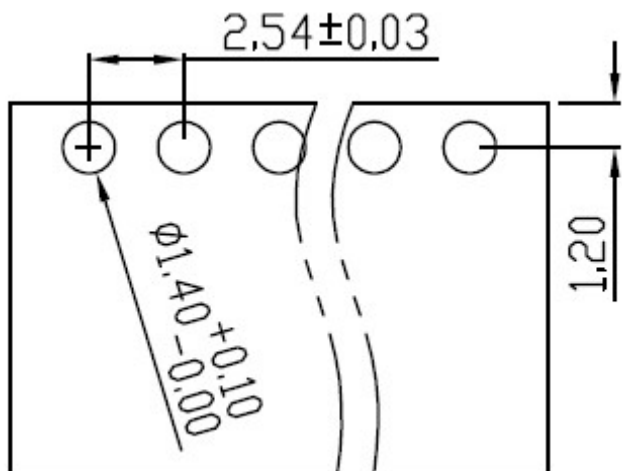
email: [info@edcon-components.com](mailto:info@edcon-components.com)

# EDCON-COMPONENTS



PCB Layout

Drawing (Dimension in mm)



<b>90° Wafer w/o mounting Flange</b>	
Part No.:	<b>A14F015</b>
Customer:	

DRW:	Jason	CHKD	Wilson	MATL:	Wilson	TOLERANCE	Mason	DATE	01.02.2023
APPD:	Schumi			FINISH	Jamy		Sheet No.		2 from 4

[www.edcon-components.com](http://www.edcon-components.com)

email: [info@edcon-components.com](mailto:info@edcon-components.com)

# EDCON-COMPONENTS



## Ordering Informations

Serie	No. of Pos.	Body Color	No Function	Approval Code	ROHS	Packing	EDCON Cust. No.	Customer Version		
-------	-------------	------------	-------------	---------------	------	---------	-----------------	------------------	--	--

<b>A14F015</b>	<b>XX</b>	<b>PG</b>	<b>N</b>	<b>N</b>	<b>R</b>	<b>B</b>				
----------------	-----------	-----------	----------	----------	----------	----------	--	--	--	--

Pitch 2,54	Standard 2 ~ 24Pos.	<b>PG= Phoenix Green (Standard)</b>	<b>N= No function</b>	<b>N= NON Approval</b>	<b>R= ROHS Conform</b>	<b>B= Bulk-Ware</b>	<b>xxxxxx= Customer Number</b>	<b>xxx= Customer Version ??(Printing)</b>
		<b>WH= White</b>		<b>A= UL /UR Approval Please consult EDCON for available</b>	<b>N= NON ROHS Conform</b>			
		<b>GN= Green</b>		<b>B= VDE Approval Please consult EDCON for available</b>	<b>C= TÜV Approval Please consult EDCON for available</b>			
		<b>GY= Gray</b>						
		<b>LG= Light Gray</b>						
		<b>OR= Orange</b>						
		<b>BL= Blue</b>						
		<b>BK= Black</b>						

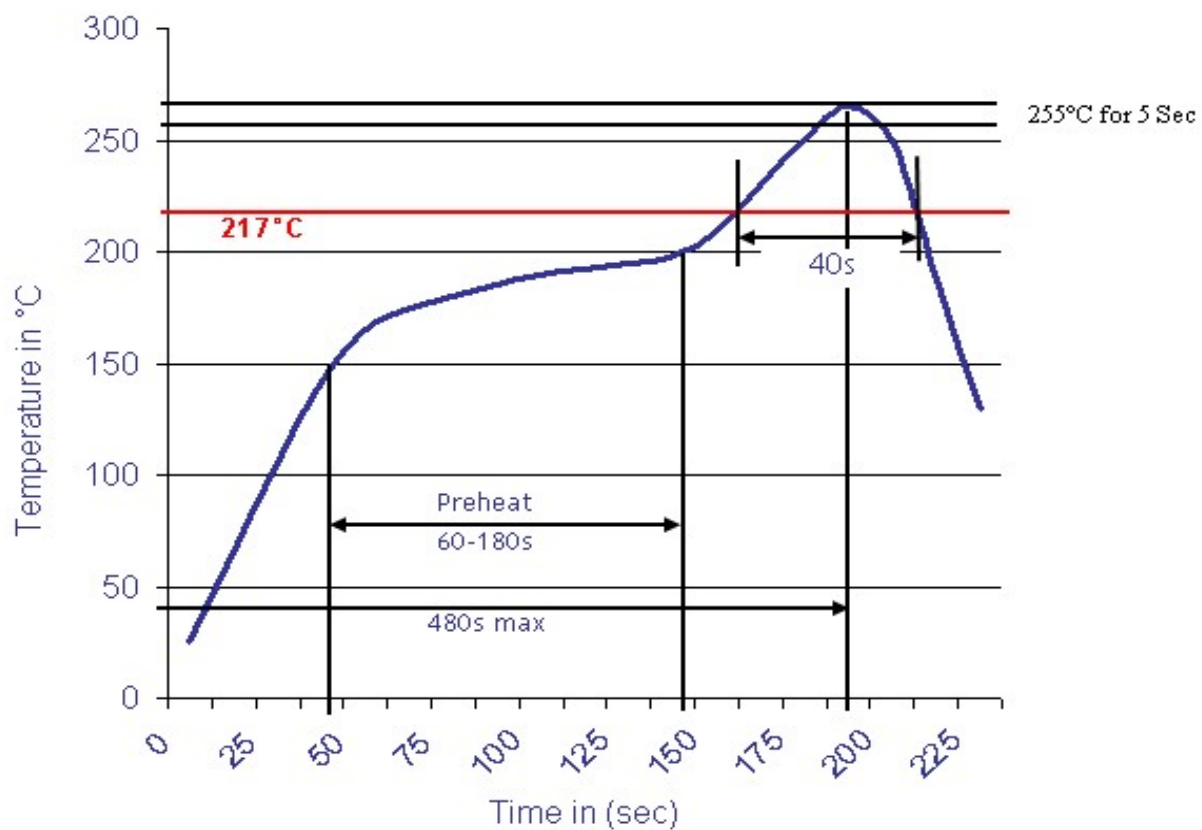
<b>90° Wafer w/o mounting Flange</b>
Part No.: <b>A14F015</b>
Customer:

DRW:	Jason	CHKD	Wilson	MATL:	Wilson	TOLERANCE	Mason	DATE	01.02.2023
APPD:	Schumi			FINISH	Jamy		Sheet No.		3 from 4



Soldering Profile Curve

Classification Reflow Profile (JEDEC J-STD-020C)



<b>90° Wafer w/o mounting Flange</b>	
Part No.:	<b>A14F015</b>
Customer:	

DRW:	Jason	CHKD	Wilson	MATL:	Wilson	TOLERANCE	Mason	DATE	01.02.2023
APPD:	Schumi			FINISH	Jamy		Sheet No.	4 from 4	