

Data Sheet

Elevated Terminal Block

Pitch: 10,16 mm

Serie: A13U004

Customer Information for special Item

EDCON Customer : 0

Customer Version No. : 0

EDCON-COMPONENTS



Technical Discription

Drawing (Dimension in mm)

Electrical

Rated Voltage	1000 Volt
Rated Current	65A
Wire Range	
Solid Wire	AWG 6~20
Stranged Wire	AWG 6~20
Withstanding Voltage	3,0KV
Insulation Resistance	5000MΩ / 1000V

Mechanical

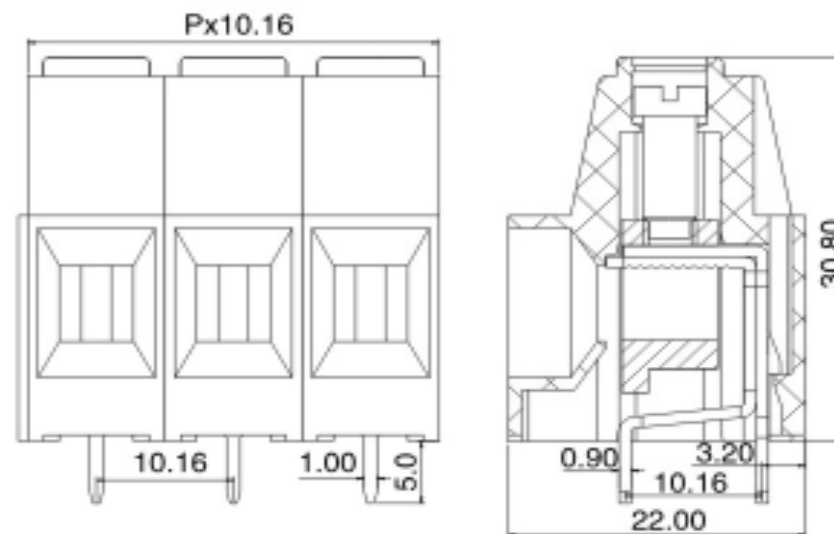
Operating Temperature	. -40°C ~ +105°C
Wire Strip Length	10mm

Dimensions

Pitch (mm)	10,16
Poles	1 ~ xxPos.

Materials

1 Terminal Housing	Thermoplastic (UL94V-0)
2 Clamp	Brass Ni, plated
3 Wire guard	Wire guard solder Pin
4 Terminal screw	Steel Zinc plating
5 Terminal Housing Cover	Thermoplastic (UL94V-0)



Elevated Terminal Block

Part No.: **A13U004**

Customer:

DRW:	Jason	CHKD	Wilson	MATL:	Wilson	TOLERANCE	Mason	DATE	25.09.2014
APPD:	Schumi			FINISH	Jamy		Sheet No.	1 from 4	

email: info@edcon-components.com

EDCON-COMPONENTS



Dimensions (mm)

Customer Special Information (Picture, Drawing)

Elevated Terminal Block

Part No.: **A13U004**

DRW:	Jason	CHKD	Wilson	MATL:	Wilson	TOLERANCE	Mason	DATE	25.09.2014
APPD:	Schumi			FINISH	Jamy		Sheet No.		2 from 4

Customer:



EDCON-COMPONENTS



Ordering Informations

Serie	No. of Pos.	Body Color	No Function	Approval Code	ROHS	Packing	EDCON Cust. No.	Customer Version		
-------	-------------	------------	-------------	---------------	------	---------	-----------------	------------------	--	--

A13U004	02	GY	A	N	R	B				
----------------	-----------	-----------	----------	----------	----------	----------	--	--	--	--

Pitch 10,16	02 = Number of Pos. Standard 2 + 3 Pos.	PG = Phoenix Green (Standard) WH = White GN = Green GY = Gray LG = Light Gray OR = Orange BL = Blue BK = Black	A = Slotted Screw Type (Standard)  B = Cross Slotted Screw Type 	N = NON Approval A = UL /UR Approval Please consult EDCON for available B = VDE Approval Please consult EDCON for available C = TÜV Approval Please consult EDCON for available	R = ROHS Conform N = NON ROHS Conform	B = Bulk-Ware I = Individual Package	xxxxxx = Customer Number	xxx = Customer Version ??(Printing)		
----------------	---	---	---	--	--	---	---------------------------------	--	--	--

Elevated Terminal Block	
Part No.:	A13U004
Customer:	

DRW:	Jason	CHKD	Wilson	MATL:	Wilson	TOLERANCE	Mason	DATE	25.09.2014
APPD:	Schumi			FINISH	Jamy		Sheet No.		3 from 4



Soldering Profile Curve

Classification Reflow Profile (JEDEC J-STD-020C)



Elevated Terminal Block	
Part No.:	A13U004
Customer:	

DRW:	Jason	CHKD	Wilson	MATL:	Wilson	TOLERANCE	Mason	DATE	25.09.2014
APPD:	Schumi			FINISH	Jamy		Sheet No.	4 from 4	