

# Data Sheet

## Elevated Terminal Block

**Pitch: 9,52 mm**

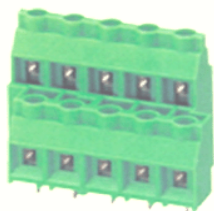
**Serie: A13S001**

### Customer Information for special Item

**EDCON Customer : 0**

**Customer Version No. : 0**

# EDCON-COMPONENTS



## Technical Discription

## Drawing (Dimension in mm)

### Electrical

Rated Voltage	300 Volt
Rated Current	30A
Wire Range	
Solid Wire	AWG 10~22
Stranged Wire	AWG 10~22
Withstanding Voltage	3,0KV
Insulation Resistance	5000MΩ / 1000V

### Mechanical

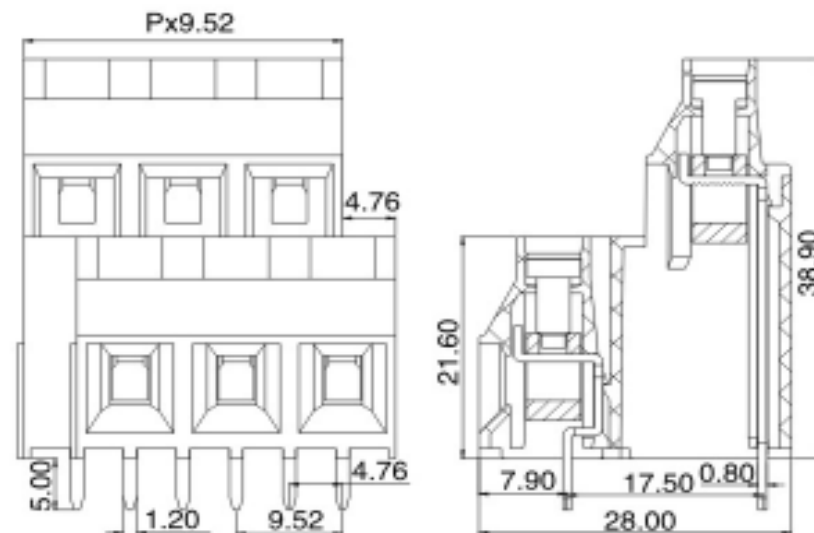
Operating Temperature	-40°C ~ +105°C
Wire Strip Length	6-7mm

### Dimensions

Pitch (mm)	9,52
Poles	2 + 3Pos.

### Materials

1 Terminal Housing	Thermoplastic ( UL94V-0)
2 Clamp	Brass Ni, plated
3 Wire guard	Wire guard solder Pin
4 Terminal screw	Steel Zinc plating
5 Terminal Housing Cover	Thermoplastic ( UL94V-0)



## Elevated Terminal Block

Part No.: **A13S001**

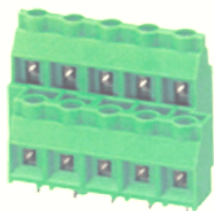
Customer:

DRW:	Jason	CHKD	Wilson	MATL:	Wilson	TOLERANCE	Mason	DATE	25.09.2014
APPD:	Schumi			FINISH	Jamy		Sheet No.	1 from 4	

email: [info@edcon-components.com](mailto:info@edcon-components.com)





# EDCON-COMPONENTS



## Ordering Informations

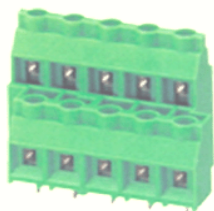
Serie	No. of Pos.	Body Color	No Function	Approval Code	ROHS	Packing	EDCON Cust. No.	Customer Version		
<b>A13S001</b>	<b>02</b>	<b>PG</b>	<b>A</b>	<b>N</b>	<b>R</b>	<b>B</b>				

Pitch  
9,52

<b>02</b> = Number of Pos.  Standard 2 + 3 Pos.	<b>PG</b> = Phoenix Green (Standard)	<b>A</b> = Slotted Screw Type (Standard) 	<b>N</b> = NON Approval	<b>R</b> = ROHS Conform	<b>B</b> = Bulk-Ware  <b>I</b> = Individual Package	<b>xxxxxx</b> = Customer Number	<b>xxx</b> = Customer Version ??(Printing)
	<b>WH</b> = White		<b>A</b> = UL /UR Approval Please consult EDCON for available	<b>N</b> = NON ROHS Conform			
	<b>GN</b> = Green	<b>B</b> = Cross Slotted Screw Type 	<b>B</b> = VDE Approval Please consult EDCON for available	<b>C</b> = TÜV Approval Please consult EDCON for available			
	<b>GY</b> = Gray						
	<b>LG</b> = Light Gray						
	<b>OR</b> = Orange						
	<b>BL</b> = Blue						
<b>BK</b> = Black							

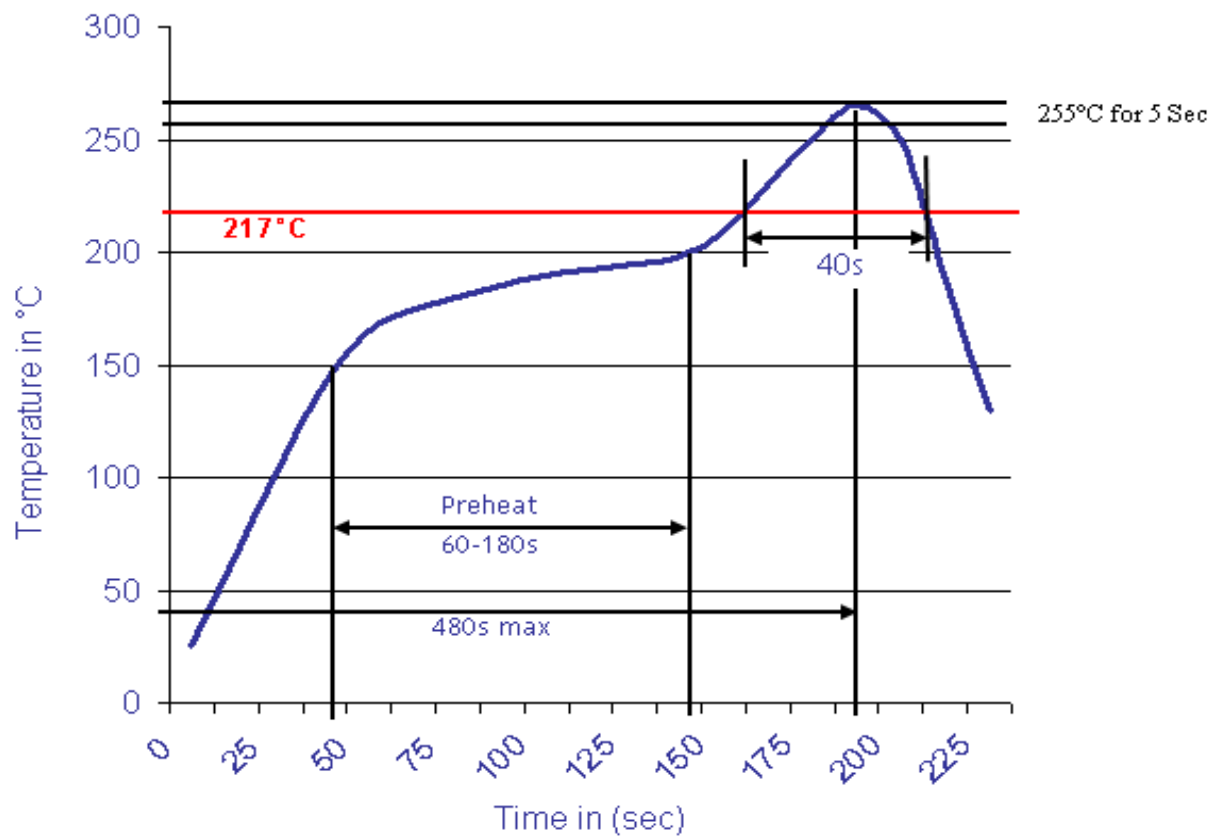
Elevated Terminal Block	
Part No.:	<b>A13S001</b>
Customer:	

DRW:	Jason	CHKD	Wilson	MATL:	Wilson	TOLERANCE	Mason	DATE	25.09.2014
APPD:	Schumi			FINISH	Jamy		Sheet No.	3 from 4	



Soldering Profile Curve

Classification Reflow Profile (JEDEC J-STD-020C)



<b>Elevated Terminal Block</b>	
Part No.:	<b>A13S001</b>
Customer:	

DRW:	Jason	CHKD	Wilson	MATL:	Wilson	TOLERANCE	Mason	DATE	25.09.2014
APPD:	Schumi			FINISH	Jamy		Sheet No.	4 from 4	