

# Data Sheet

## Screwless Terminal Block Pitch 7,50mm

**Pitch: 7,50 mm**

**Serie: A11Q053**

### Customer Information for special Item

**EDCON Customer : xxxxxx**

**Customer Version No. : xx**

# EDCON-COMPONENTS



## Technical Description

### Electrical:

	UL	IEC	VDE
Rated voltage:	300V	1000V	
Rated current:	27A	41A	
Withstanding Voltage: AC/1min:	3000V	3000V	
Operating Temperature:	-40°C ~ +105°C		

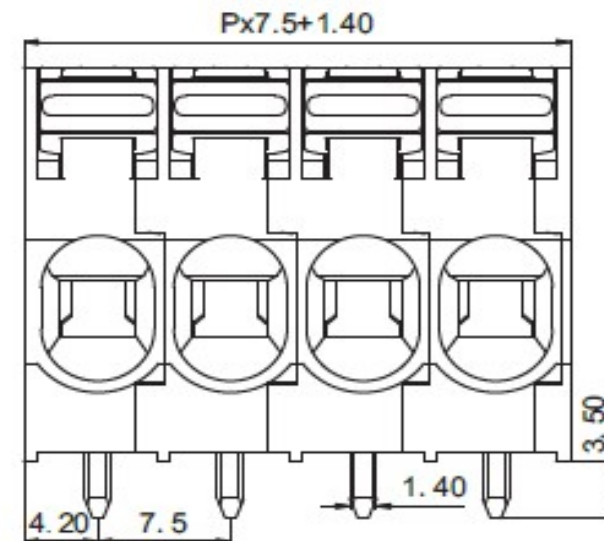
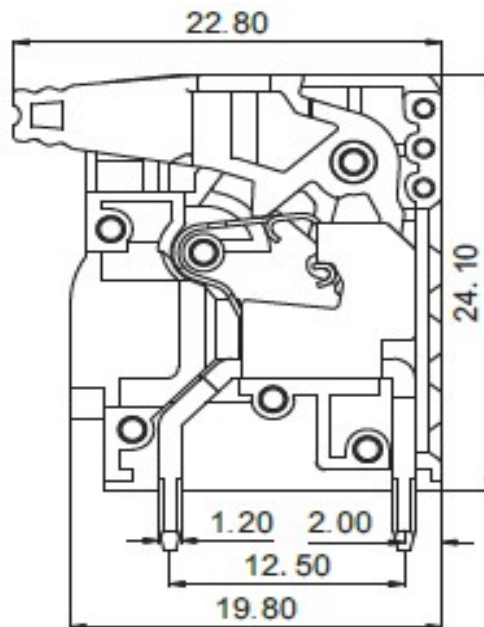
### Mechanical:

Strip length: mm	15 ~ 16	15 ~ 16	
Wire range: Solid wire: AWG	24~10	6,0mm <sup>2</sup>	
Wire range: Stranded wire:AWG	24~10	6,0mm <sup>2</sup>	

### Material:

Housing Terminal Body:	PA66 UL94V-0
Housing Left-side:	PA66 UL94V-0
Housing Right side:	PA66 UL94V-0
Lever:	PA66 UL94V-0 Orange
Terminal:	Copper Matte Tin plated over Nickel
Spring Clamp:	Stainless steel

## Drawing (Dimension in mm)



Item No.		
1		
2		
3		
4		
5		
6		
7		
8		
9		

Tolerances unless otherwise specified (mm)				
X	X.X	X.XX	X.XXX	Angle
±	±	±	±	±3°
DRW:	Jason	CHKD	Wilson	MATL:
APPD:	Schumi			FINISH

**Screwless Terminal Block Pitch 7,50mm**

Part No.: **A11Q053**

Customer:

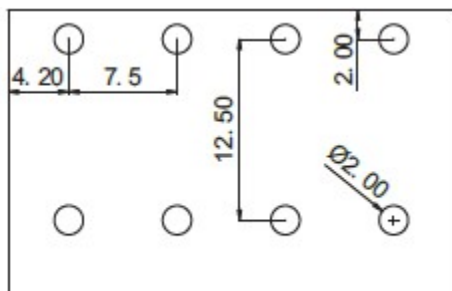
DRW:	Jason	CHKD	Wilson	MATL:	Wilson	TOLERANCE	Mason	DATE	22.11.2019
APPD:	Schumi			FINISH	Jamy		Sheet No.		1 from 4

# EDCON-COMPONENTS



## PCB Layout Dimension (mm)

TOP-VIEW



## Dimensions (mm)

P	Tol. P	B	Tol. P	No. of Pos.
13,10	± 0,35	7,50	± 0,35	<b>02</b>
20,60	± 0,35	15,00	± 0,35	<b>03</b>
28,10	± 0,35	22,50	± 0,35	<b>04</b>
35,60	± 0,35	30,00	± 0,35	<b>05</b>
43,10	± 0,35	37,50	± 0,35	<b>06</b>
50,60	± 0,35	45,00	± 0,35	<b>07</b>
58,10	± 0,35	52,50	± 0,35	<b>08</b>
65,60	± 0,35	60,00	± 0,35	<b>09</b>
73,10	± 0,35	67,50	± 0,35	<b>10</b>
80,60	± 0,35	75,00	± 0,35	<b>11</b>
88,10	± 0,35	82,50	± 0,35	<b>12</b>
95,60	± 0,35	90,00	± 0,35	<b>13</b>
103,10	± 0,35	97,50	± 0,35	<b>14</b>
110,60	± 0,35	105,00	± 0,35	<b>15</b>
118,10	± 0,35	112,50	± 0,35	<b>16</b>

<b>Screwless Terminal Block Pitch 7,50mm</b>	
Part No.:	<b>A11Q053</b>
Customer:	

DRW:	Jason	CHKD	Wilson	MATL:	Wilson	TOLERANCE	Mason	DATE	22.11.2019
APPD:	Schumi			FINISH	Jamy		Sheet No.		2 from 4

[www.edcon-components.com](http://www.edcon-components.com)

email: [info@edcon-components.com](mailto:info@edcon-components.com)

# EDCON-COMPONENTS



## Ordering Informations

Serie	No. of Pos.	Body Color	Srew Type	Approval Code	ROHS	Packing	EDCON Cust. No.	Customer Version		
<b>A11Q053</b>	<b>02</b>	<b>GN</b>	<b>C</b>	<b>N</b>	<b>R</b>	<b>B</b>	<b>xxxxxx</b>	<b>xx</b>		

Pitch
7,50

<b>02=</b> Number of Pos.		<b>C=</b> Screwless Type	<b>N=</b> NON Approval	<b>R=</b> ROHS Conform	<b>B=</b> Standard Package Box/ Polybag <b>I=</b> Individual Package	<b>xxxxxx=</b> Customer Number	<b>xx=</b> Customer Version (Printing) ??
Standard 2 ~ 16Pos.			<b>1=</b> UL-Approval for Body Material	<b>N=</b> NON ROHS Conform			
	<b>GN=</b> Green		<b>A=</b> UL /UR Approval Please consult EDCON for available				
			<b>B=</b> VDE Approval Please consult EDCON for available				
			<b>C=</b> TÜV Approval Please consult EDCON for available				

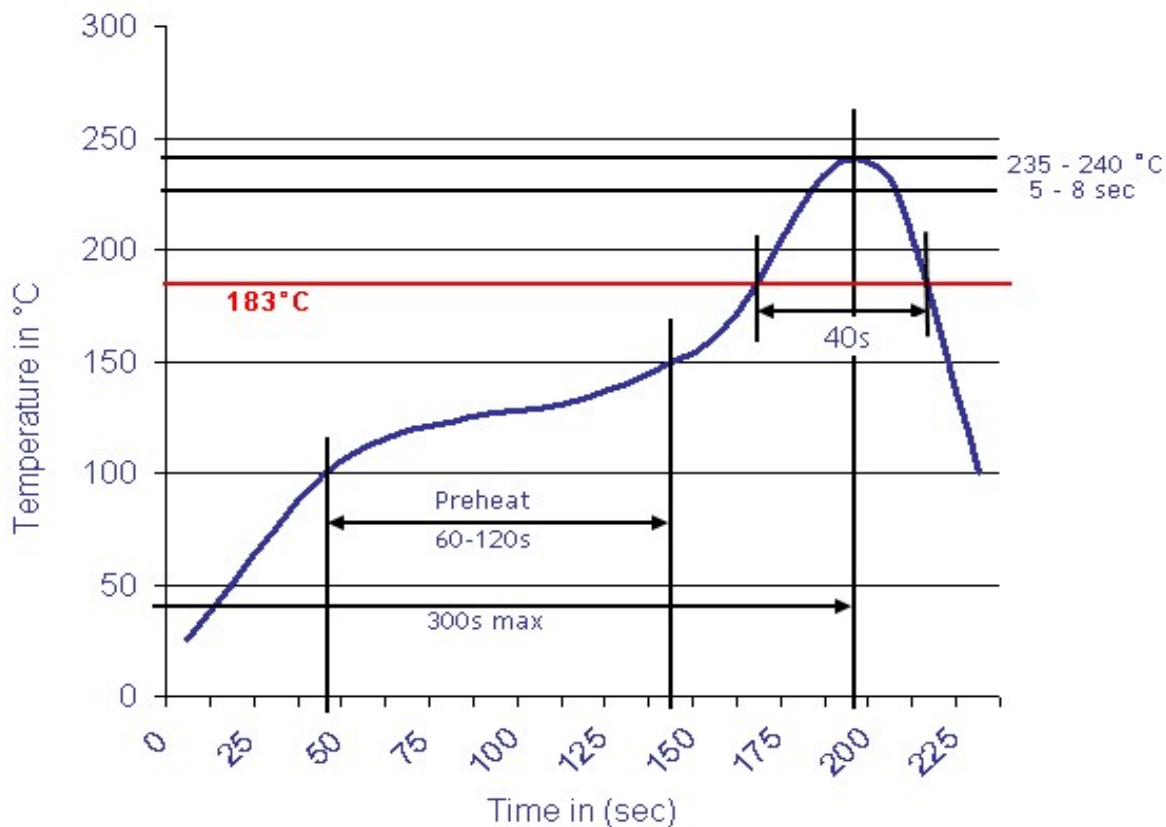
<b>Screwless Terminal Block Pitch</b>	
<b>7,50mm</b>	
Part No.:	<b>A11Q053</b>
Customer:	

DRW:	Jason	CHKD	Wilson	MATL:	Wilson	TOLERANCE	Mason	DATE	22.11.2019
APPD:	Schumi			FINISH	Jamy		Sheet No.		3 from 4



Soldering Profile Curve

Classification Reflow Profile (JEDEC J-STD-020C)



**Screwless Terminal Block Pitch  
7,50mm**

Part No.: **A11Q053**

Customer:

DRW:	Jason	CHKD	Wilson	MATL:	Wilson	TOLERANCE	Mason	DATE	22.11.2019
APPD:	Schumi			FINISH	Jamy		Sheet No.	4 from 4	