

# Data Sheet

## SMD Screwless Terminal Block Pitch 3,50mm

**Pitch: 3,50 mm**

**Serie: A11G027**

### Customer Information for special Item

**EDCON Customer : xxxxxx**

**Customer Version No. : xx**

# EDCON-COMPONENTS



## Technical Description

### Electrical:

Rated voltage:  
Rated current:  
Withstanding Voltage: AC/1min:  
Operating Temperature:

UL	IEC	VDE
300V	160V	
10A	13,5A	
2,0KV	2,0KV	

-40°C ~ +105°C

### Mechanical:

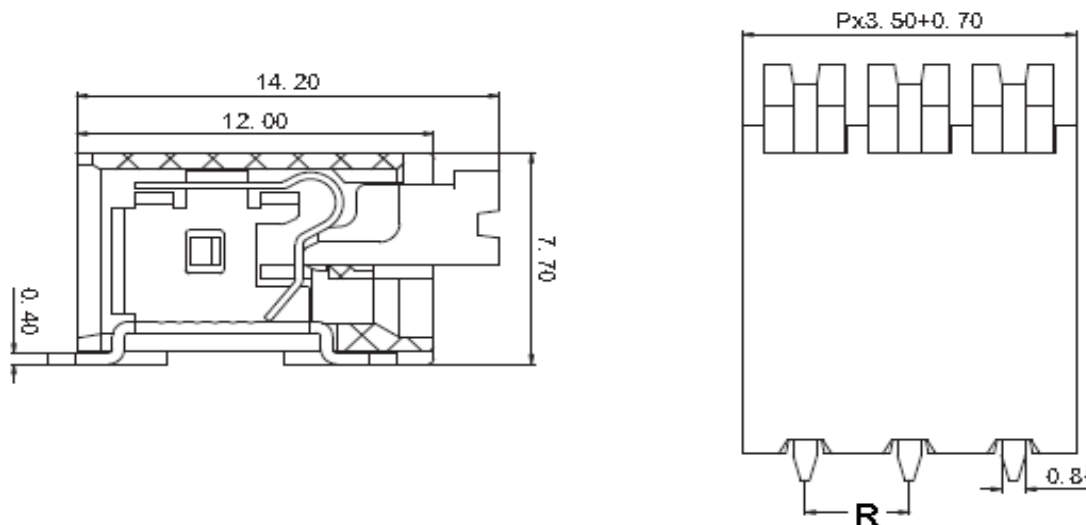
Strip length: mm  
Wire range: Solid wire: AWG  
Wire range: Stranded wire:AWG

9 ~ 10	9 ~ 10	
16-24	16-24	
16-24	16-24	

### Material:

Housing Terminal Body: Thermoplastik UL94V-0  
Housing Left-side: Thermoplastik UL94V-0  
Housing Right side: Thermoplastik UL94V-0  
Lever: Thermoplastik UL94V-0 White RAL9003  
Terminal: Copper Matte Tin plated over Nickel  
Spring Clamp: Stainless steel

## Drawing (Dimension in mm)



Item No.		
1		
2		
3		
4		
5		
6		
7		
8		
9		

Tolerances unless otherwise specified (mm)				
x	x.X	x.XX	x.XXX	Angle
±	±	±	±	±3°

**SMD Screwless Terminal Block**  
**Pitch 3,50mm**

Part No.: **A11G027**

DRW:	Jason	CHKD	Wilson	MATL:	Wilson	TOLERANCE	Mason	DATE	17.03.2018
APPD:	Schumi			FINISH	Jamy		Sheet No.		1 from 4

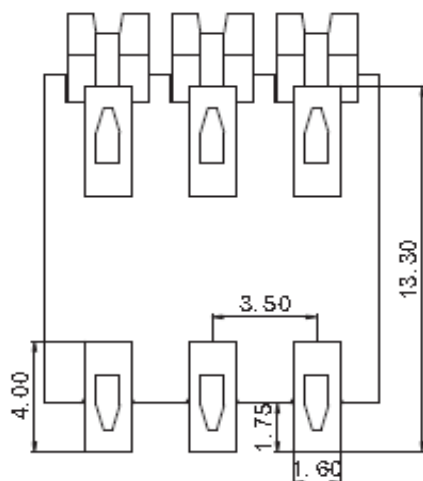
Customer:

# EDCON-COMPONENTS



## PCB Layout Dimension (mm)

TOP-VIEW



## Dimensions (mm)

P	Tol. P	R	Tol. P	No. of Pos.
7,70	± 0,35	3,50	± 0,35	<b>02</b>
11,20	± 0,35	7,00	± 0,35	<b>03</b>
14,70	± 0,35	10,50	± 0,35	<b>04</b>
18,20	± 0,35	14,00	± 0,35	<b>05</b>
21,70	± 0,35	17,50	± 0,35	<b>06</b>
25,20	± 0,35	21,00	± 0,35	<b>07</b>
28,70	± 0,35	24,50	± 0,35	<b>08</b>
32,20	± 0,35	28,00	± 0,35	<b>09</b>
35,70	± 0,35	31,50	± 0,35	<b>10</b>
39,20	± 0,35	35,00	± 0,35	<b>11</b>
42,70	± 0,35	38,50	± 0,35	<b>12</b>
46,20	± 0,35	42,00	± 0,35	<b>13</b>
49,70	± 0,35	45,50	± 0,35	<b>14</b>
53,20	± 0,35	49,00	± 0,35	<b>15</b>
56,70	± 0,35	52,50	± 0,35	<b>16</b>
60,20	± 0,35	56,00	± 0,35	<b>17</b>
63,70	± 0,35	59,50	± 0,35	<b>18</b>
67,20	± 0,35	63,00	± 0,35	<b>19</b>
70,70	± 0,35	66,50	± 0,35	<b>20</b>
74,20	± 0,35	70,00	± 0,35	<b>21</b>
77,70	± 0,35	73,50	± 0,35	<b>22</b>
81,20	± 0,35	77,00	± 0,35	<b>23</b>
84,70	± 0,35	80,50	± 0,35	<b>24</b>

**SMD Screwless Terminal Block  
Pitch 3,50mm**

Part No.: **A11G027**

Customer:

DRW:	Jason	CHKD	Wilson	MATL:	Wilson	TOLERANCE	Mason	DATE	17.03.2018
APPD:	Schumi			FINISH	Jamy		Sheet No.		2 from 4

# EDCON-COMPONENTS



## Ordering Informations

Serie	No. of Pos.	Body Color	Srew Type	Approval Code	ROHS	Packing	EDCON Cust. No.	Customer Version		
<b>A11G027</b>	<b>02</b>	<b>BK</b>	<b>C</b>	<b>N</b>	<b>R</b>	<b>B</b>	<b>xxxxxx</b>	<b>xx</b>		

Pitch  
3,50

<b>02=</b> Number of Pos.		<b>C=</b> Screwless Type	<b>N=</b> NON Approval	<b>R=</b> ROHS Conform	<b>B=</b> Standard Package Box/ Polybag	<b>xxxxxx=</b> Customer Number	<b>xx=</b> Customer Version (Printing) ??
Standard 2 ~ 24Pos.			<b>1=</b> UL-Approval for Body Material	<b>N=</b> NON ROHS Conform	<b>I=</b> Individual Package		
			<b>A=</b> UL /UR Approval Please consult EDCON for available				
			<b>B=</b> VDE Approval Please consult EDCON for available				
			<b>C=</b> TÜV Approval Please consult EDCON for available				
	<b>BK=</b> Black						

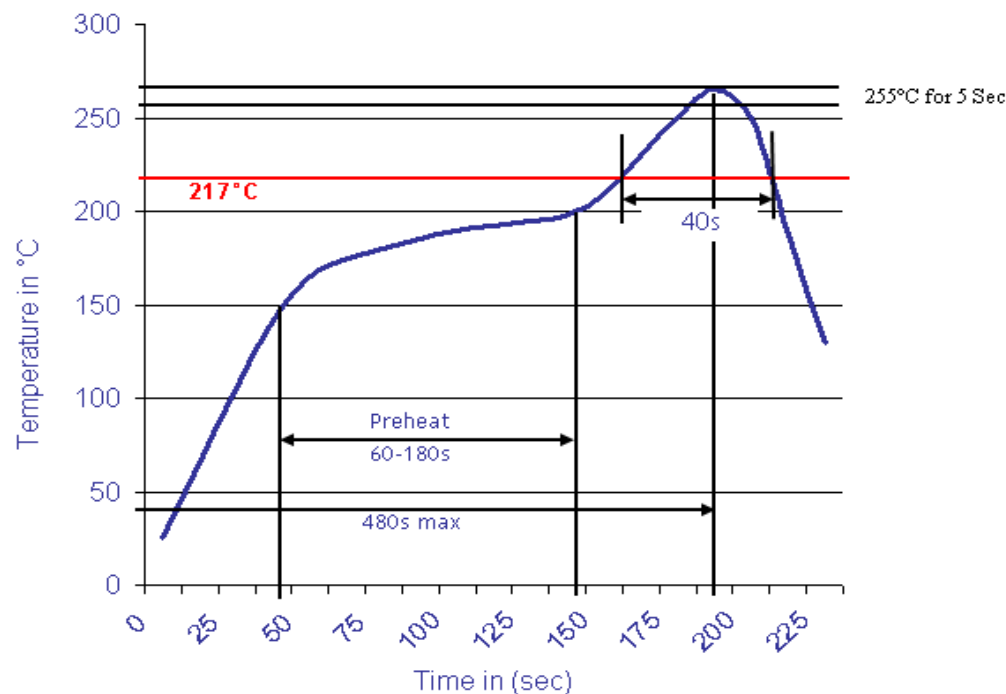
<b>SMD Screwless Terminal Block</b>	
<b>Pitch 3,50mm</b>	
Part No.:	<b>A11G027</b>
Customer:	

DRW:	Jason	CHKD	Wilson	MATL:	Wilson	TOLERANCE	Mason	DATE	17.03.2018
APPD:	Schumi			FINISH	Jamy		Sheet No.		3 from 4



## Soldering Profile Curve

### Classification Reflow Profile (JEDEC J-STD-020C)



**SMD Screwless Terminal Block  
Pitch 3,50mm**

Part No.: **A11G027**

Customer:

DRW:	Jason	CHKD	Wilson	MATL:	Wilson	TOLERANCE	Mason	DATE	17.03.2018
APPD:	Schumi			FINISH	Jamy		Sheet No.	4 from 4	