

EDCON-COMPONENTS



Technical Discription

Technical Drawing

Electrical

Current Rating: 1,5A
 Voltage Rating: 125VAC
 Insulation Resistance: 500M Ω min.
 Contact Resistance: 30M Ω max.
 Withstanding Voltage: AC1000V RMS 50/60Hz 1min.

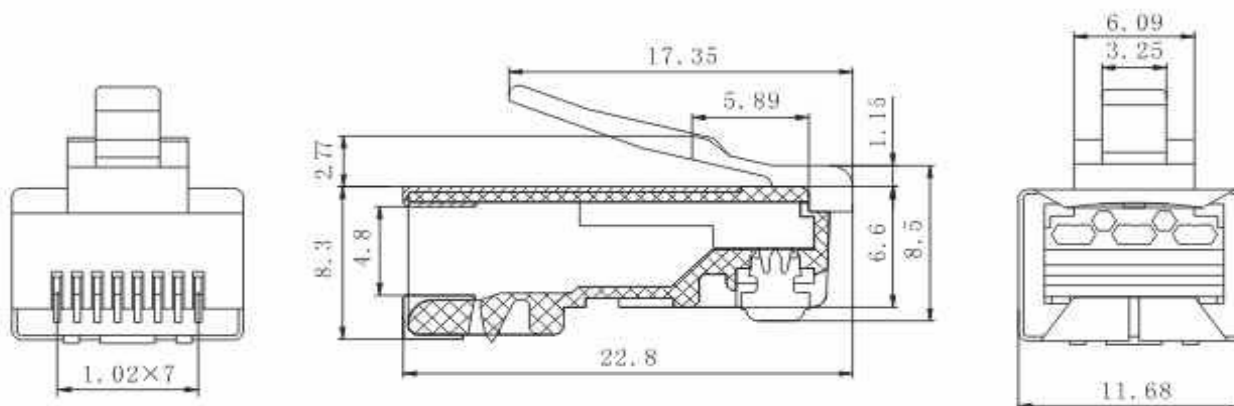
Mechanical

Insertion Force: 2,2Kg.F.max.
 Retention Strength: 7,7Kg.F min.between jack a. plug
 Durability: 600 mating cycles min.

Material

Housing: ABS RESIN (UL94V-0)
 PBT(UL94V-0 PA66(UÖ94V-0)
 PA46(UL94V-0)
 Diameter 0,45mm Phosphor
 Bronze Gold Plating over Nickel
 Contact wire: 0,35mm thickness phosphor
 bronze alloy selective Gold plating
 over nickel
 Shield: 0,20~0,25mm thickness brass with
 tin plated
 Contact Plating: Gold Flash, 3 μ / 6 μ / 15 μ / 30 μ 50 μ
 inch

Working Temperatur . -40°C ~ +70°C



**PCB Modular Plug Long Version
Unshielded**

Part No.: **T91A30005**

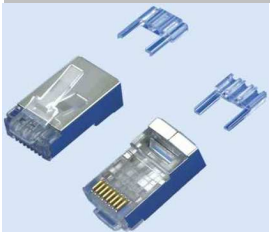
Customer:

DRW:	John	CHKD	Tony	MATL:	Tony	TOLERANCE	Su	DATE	10.04.2009
APPD:	Jimmy			FINISH	Jeff		Sheet No.		1 from 2

www.edcon-components.com

email: info@edcon-components.com

EDCON-COMPONENTS



Ordering Informations

Serie	No. Of. Positions	No. Of Contact	Contact Plating	ROHS	Packing			
T91A30005	8	8	GF	R	BU			

8= 8Pos.	8= Pos. connecting	GF= Gold Flash	R= ROHS conform	BU= Bulk-Ware
		GA= 3 μ Gold Plating	N= NON ROHS conform	
		GB= 6 μ Gold Plating		
		GC= 15 μ Gold Plating		
		GD= 30 μ Gold Plating		
		GE= 50 μ Gold Plating		

PCB Modular Plug Long Version Unshielded	
Part No.:	T91A30005
Customer:	

DRW:	John	CHKD	Tony	MATL:	Tony	TOLERANCE	Su	DATE	10.04.2009
APPD:	Jimmy			FINISH	Jeff		Sheet No.		2 from 2

www.edcon-components.com

email: info@edcon-components.com