

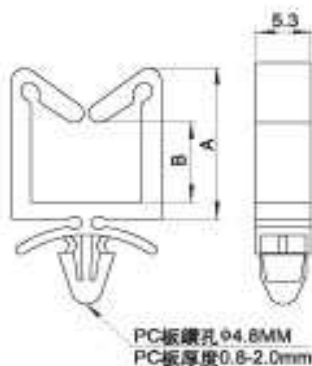
EDCON-COMPONENTS



Technical Discription

Material: Nylon 66 UL94V-2

Drawing



Sizes (mm)

Order Code	A	B		
A01	12,7	2,8		
A02	17,9	8,6		
A03	26,9	18,2		
A04	34,8	26,2		

Ordering Informations

Serie	Length Co.	Material	Color	ROHS	Packing
N25006	A01	NY	WH	R	BA101
Look Order Code	NY= Nylon 66	WH= White	R= ROHS Conform	BA101= Poly Bag 100PCS	
			N= NON ROHS Conform	BA102= Poly Bag 100PCS	

Cable Holder	
Part No.:	N25006
Customer:	

DRW:	Jason	CHKD	Wilson	MATL:	Wilson	TOLERANCE	Mason	DATE	04.08.2009
APPD:	Schumi			FINISH	Jamy		Sheet No.		1 from 1