

EDCON-COMPONENTS



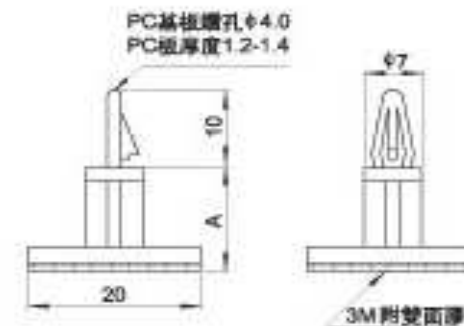
Technical Discription

Material: Nylon 66 UL94V-2

Length of Spacer

Length Code	Length (mm)
A01	A=5,4
A02	A=6,4
A03	A=8,0
A04	A=9,9
A05	A=12,9
A06	A=16,3

Drawing



Ordering Informations

Serie	Length Co.	Material	Color	ROHS	Packing
N17025	A01	NY	WH	R	BA101
	A01	NY= Nylon 66	WH= White	R= ROHS Conform N= NON ROHS Conform	BA101= Poly Bag 100PCS BA102= Poly Bag 100PCS

PCB Spacer	
Part No.:	N17025
Customer:	

DRW:	Jason	CHKD	Wilson	MATL:	Wilson	TOLERANCE	Mason	DATE	03.05.2009
APPD:	Schumi			FINISH	Jamy		Sheet No.	1 from 1	