

# EDCON-COMPONENTS



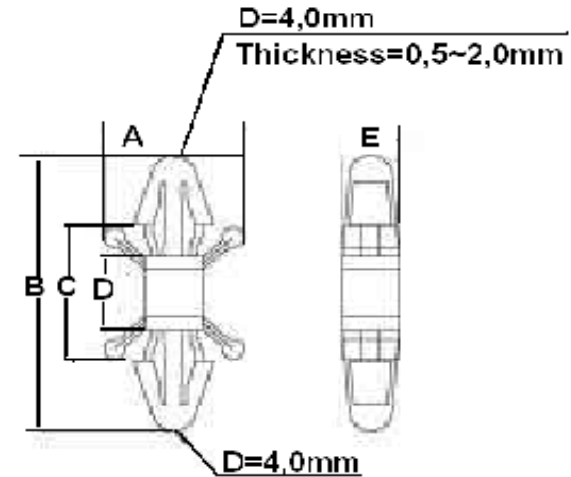
### Technical Discription

Material: Nylon 66 UL94V-2

### Length of Spacer

Length Code	Length (mm)
<b>A01</b>	A / B = 9,77 / 20,9 C / D = 9,97 / 5,62 D = 3,68

### Drawing



### Ordering Informations

Serie	Length Co.	Material	Color	ROHS	Packing
<b>N17023</b>	A01	NY	WH	R	BA101

<b>A01</b>	<b>NY</b> = Nylon 66	<b>WH</b> = White	<b>R</b> = ROHS Conform	<b>BA101</b> = Poly Bag 100PCS
	<b>PC</b> = PC		<b>N</b> = NON ROHS Conform	<b>BA102</b> = Poly Bag 100PCS

<b>PCB Spacer</b>	
Part No.:	<b>N17023</b>
Customer:	

DRW:	Jason	CHKD	Wilson	MATL:	Wilson	TOLERANCE	Mason	DATE	03.05.2009
APPD:	Schumi			FINISH	Jamy		Sheet No.	1 from 1	