

EDCON-COMPONENTS



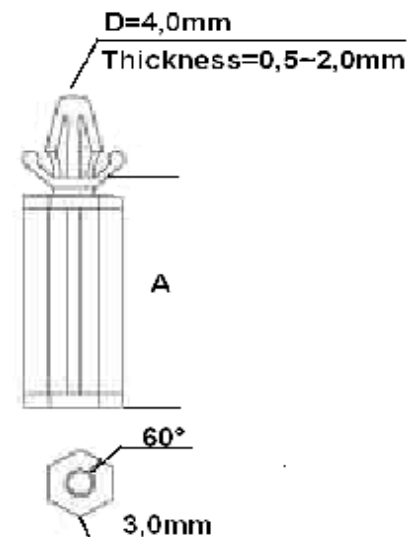
Technical Discription

Material: Nylon 66 UL94V-2

Length of Spacer

Length Code	Length (mm) A
A01	5,0
A02	9,6
A03	12,7
A04	19,1
A05	28,5
A06	35,0

Drawing



Ordering Informations

Serie	Length Co.	Material	Color	ROHS	Packing
N17021	A01	NY	WH	R	BA101
A01 ~ A06		NY= Nylon 66	WH= White	R= ROHS Conform N= NON ROHS Conform	BA101= Poly Bag 100PCS
		PC= PC			BA102= Poly Bag 100PCS

PCB Spacer	
Part No.:	N17021
Customer:	

DRW:	Jason	CHKD	Wilson	MATL:	Wilson	TOLERANCE	Mason	DATE	03.05.2009
APPD:	Schumi			FINISH	Jamy		Sheet No.		1 from 1