

EDCON-COMPONENTS



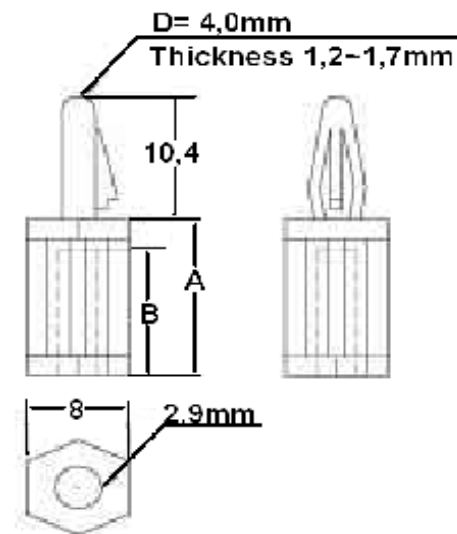
Technical Discription

Material: Nylon 66 UL94V-2

Length of Spacer

| Length Code | Length (mm) A / B |
|-------------|-------------------|
| A01 | 6,4 / 4,8 |
| A02 | 9,6 / 8,0 |
| A03 | 12,8 / 11,0 |
| A04 | 14,0 / 12,7 |
| A05 | 16,0 / 13,0 |
| A06 | 19,2 / 16,2 |
| A07 | 22,4 / 19,4 |
| A08 | 25,6 / 24,0 |
| A09 | 29,0 / 25,9 |
| | |
| | |
| | |
| | |
| | |
| | |
| | |
| | |
| | |

Drawing



Ordering Informations

| Serie | Length Co. | Material | Color | ROHS | Packing |
|-----------|--------------|-----------|---------------------|------------------------|---------|
| N17019 | A01 | NY | WH | R | BA101 |
| A01 ~ A09 | NY= Nylon 66 | WH= White | R= ROHS Conform | BA101= Poly Bag 100PCS | |
| | | | N= NON ROHS Conform | BA102= Poly Bag 100PCS | |

| | |
|-------------------|---------------|
| PCB Spacer | |
| Part No.: | N17019 |
| Customer: | |

| | | | | | | | | | |
|-------|--------|------|--------|--------|--------|-----------|-----------|------|------------|
| DRW: | Jason | CHKD | Wilson | MATL: | Wilson | TOLERANCE | Mason | DATE | 03.05.2009 |
| APPD: | Schumi | | | FINISH | Jamy | | Sheet No. | | 1 from 1 |