

EDCON-COMPONENTS



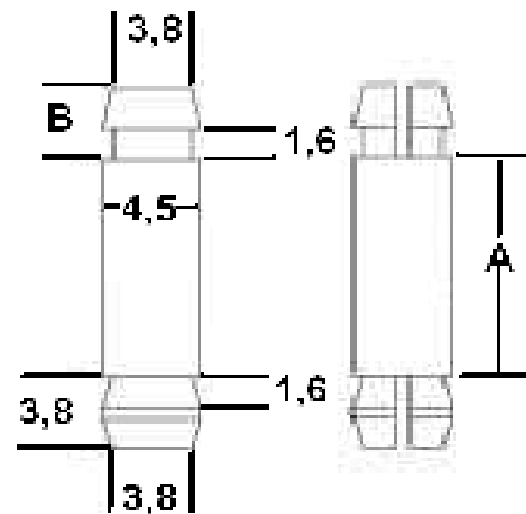
Technical Discription

Material: Nylon 66 UL94V-2

Length of Spacer

Length Code	Length (mm) A / B
A01	3,2 / 3,8
A02	5,3 / 3,8
A03	6,3 / 3,8
A04	8,0 / 3,8
A05	10,5 / 3,8
A06	12,7 / 5,6
A07	15,9 / 5,6
A08	16,5 / 5,6
A09	19,1 / 5,6
A10	22,2 / 5,6
A11	25,4 / 5,6

Drawing



Ordering Informations

Serie	Length Co.	Material	Color	ROHS	Packing
N17018	A01	NY	WH	R	BA101
A01 ~ A11	NY= Nylon 66	WH= White	R= ROHS Conform N= NON ROHS Conform	BA101= Poly Bag 100PCS BA102= Poly Bag 100PCS	

PCB Spacer	
Part No.:	N17018
Customer:	

DRW:	Jason	CHKD	Wilson	MATL:	Wilson	TOLERANCE	Mason	DATE	03.05.2009
APPD:	Schumi			FINISH	Jamy		Sheet No.	1 from 1	

www.edcon-components.com

email: info@edcon-components.com