

# EDCON-COMPONENTS



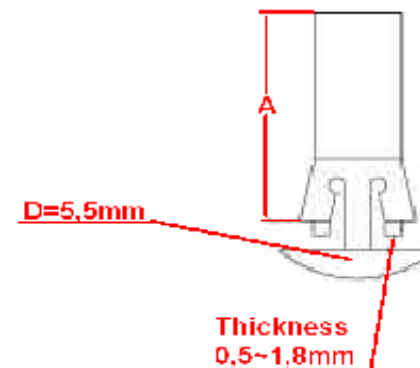
## Technical Description

Material: Nylon 66 UL94V-2  
PC

## Length of Spacer

Length Code	Length (mm) A
A01	5,0
A02	6,4
A03	8,0
A04	9,8
A05	10,1
A06	12,0
A07	14,0
A08	18,0

## Drawing



## Ordering Informations

Serie	Length Co.	Material	Color	ROHS	Packing
N17017	A01	NY	WH	R	BA101
A01 ~ A08		NY= Nylon 66	WH= White	R= ROHS Conform	BA101= Poly Bag 100PCS
		PC= Poly		N= NON ROHS Conform	BA102= Poly Bag 100PCS

<b>PCB Spacer</b>	
Part No.:	<b>N17017</b>
Customer:	

DRW:	Jason	CHKD	Wilson	MATL:	Wilson	TOLERANCE	Mason	DATE	03.05.2009
APPD:	Schumi			FINISH	Jamy		Sheet No.		1 from 1

[www.edcon-components.com](http://www.edcon-components.com)

email: [info@edcon-components.com](mailto:info@edcon-components.com)