

# EDCON-COMPONENTS



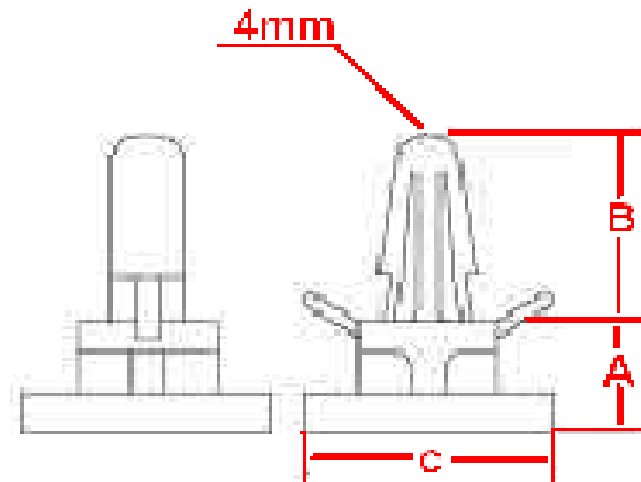
## Technical Description

Material: Nylon 66 UL94V-2  
PC

## Length of Spacer

Length Code	Length (mm) A/B/C
A01	5,6/9,5/11,8
A02	8,0/9,5/11,8
A03	11,0/9,0/12,0

## Drawing



## Ordering Informations

Serie	Length Co.	Material	Color	ROHS	Packing
N17016	A01	NY	WH	R	BA101
A01 ~ A07		NY= Nylon 66	WH= White	R= ROHS Conform N= NON ROHS Conform	BA101= Poly Bag 100PCS
		PC= Poly			BA102= Poly Bag 100PCS

<b>PCB Spacer</b>	
Part No.:	<b>N17016</b>
Customer:	

DRW:	Jason	CHKD	Wilson	MATL:	Wilson	TOLERANCE	Mason	DATE	03.05.2009
APPD:	Schumi			FINISH	Jamy			Sheet No.	1 from 1