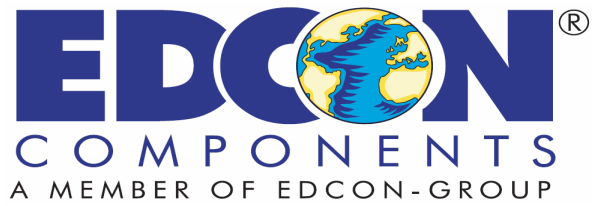


EDCON-COMPONENTS

ROUND SPACER AD=7,0MM / ID=4,2MM

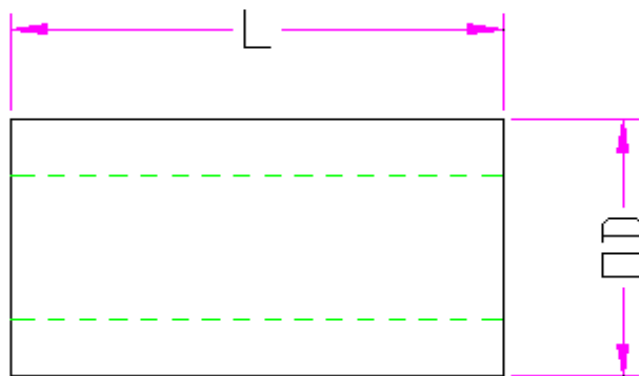
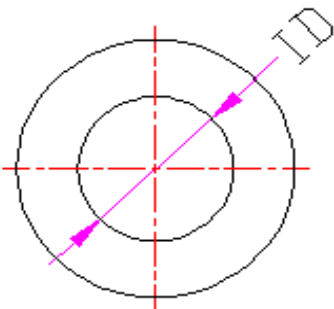


Material: Nylon 66 (UL94V-2)

Color: Natural



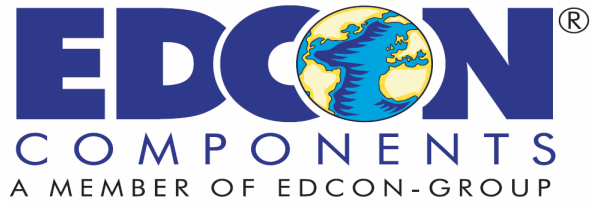
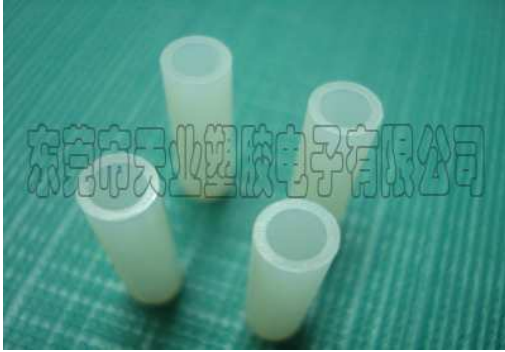
| Dimension | OD | ID | | |
|-----------|-------|-------|--|--|
| | 7,0mm | 4,2mm | | |



ROUND SPACER AD=7,0MM / ID=4,2MM

EDCON-COMPONENTS

ROUND SPACER AD=7,0MM / ID=4,2MM



| Length/mm | Code Length |
|-----------|-------------|
| 1,0 | 010 |
| 1,5 | 015 |
| 2,0 | 020 |
| 2,5 | 025 |
| 3,0 | 030 |
| 3,5 | 035 |
| 4,0 | 040 |
| 4,5 | 045 |
| 5,0 | 050 |
| 5,5 | 055 |
| 6,0 | 060 |
| 6,5 | 065 |
| 7,0 | 070 |
| 7,5 | 075 |
| 8,0 | 080 |
| 8,5 | 085 |
| 9,0 | 090 |
| 9,5 | 095 |
| 10,0 | 100 |

| Length/mm | Code Length |
|-----------|-------------|
| 10,5 | 105 |
| 11,0 | 110 |
| 11,5 | 115 |
| 12,0 | 120 |
| 12,5 | 125 |
| 13,0 | 130 |
| 13,5 | 135 |
| 14,0 | 140 |
| 14,5 | 145 |
| 15,0 | 150 |
| 15,5 | 155 |
| 16,0 | 160 |
| 16,5 | 165 |
| 17,0 | 170 |
| 17,5 | 175 |
| 18,0 | 180 |
| 18,5 | 185 |
| 19,0 | 190 |
| 19,5 | 195 |

| Length/mm | Code Length |
|-----------|-------------|
| 20,0 | 200 |
| 20,5 | 205 |
| 21,0 | 210 |
| 21,5 | 215 |
| 22,0 | 220 |
| 22,5 | 225 |
| 23,0 | 230 |
| 23,5 | 235 |
| 24,0 | 240 |
| 24,5 | 245 |
| 25,0 | 250 |
| 25,5 | 255 |
| 26,0 | 260 |
| 26,5 | 265 |
| 27,0 | 270 |
| 27,5 | 275 |
| 28,0 | 280 |
| 29,5 | 285 |
| 29,0 | 290 |
| 29,5 | 295 |
| 30,0 | 300 |



| Serie | Code Length | Material | Color | Packing | | |
|---------------|-------------|----------|------------|----------|--|--|
| N16053 | 010 | N | N | B | | |
| | 010=1,0mm | N=Nylon | N= Natural | B=Bulk | | |

ROUND SPACER AD=7,0MM / ID=4,2MM