

EDCON-COMPONENTS



SPECIFICATION:

Current Rating: DC12V / 50mA
 Inculation Resistance: 100M Ohm min 100VDC
 Dielectric Withstanding: 250VAC for 1min.
 Operating Temperature: -30°C ~ +85°C
 Contact Resistance: 100m Ohm max.
 Travel: 1,3mm
 Operating force: 250gr.

Operating Life: 100.000 Cycles

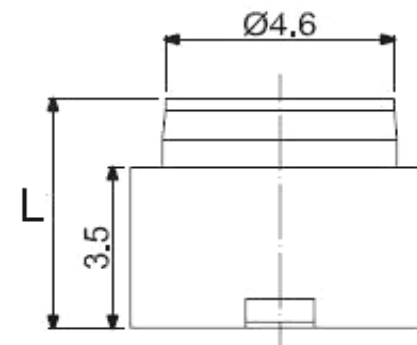
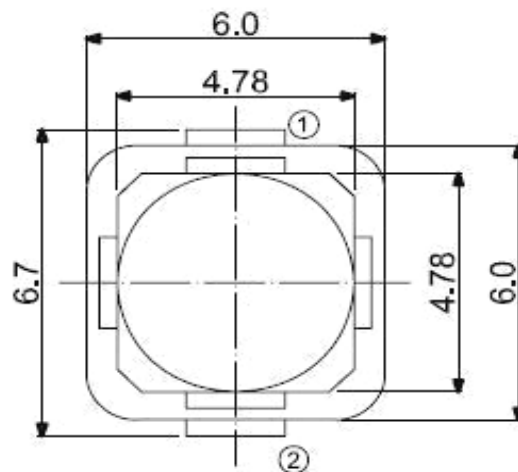
Features:

4 Directional Center push switch with a body height of 1,8mm for compact and slimmer set design.

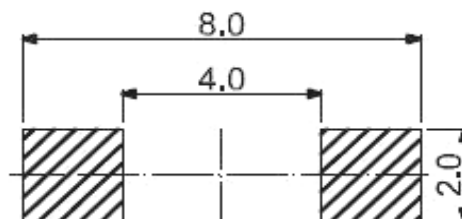
Multi-directional input type with four directions plus push down.

Contributing to smaller space designing by ist.
 Suitable for reflow-soldering

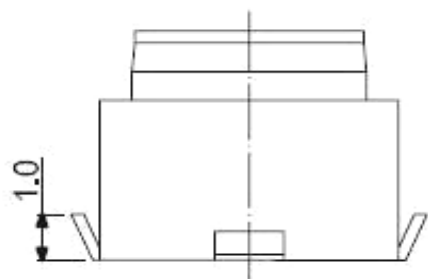
Drawing



PCB Layout



Circuit Diagramm



SMT Tact Switch

Part No.: Q120912

Customer:

DRW:	Jason	CHKD	Wilson	MATL:	Wilson	TOLERANCE	Mason	DATE	02.03.2011
APPD:	Schumi			FINISH	Jamy		Sheet No.		1 from 3

www.edcon-components.com

email: info@edcon-components.com

EDCON-COMPONENTS



Ordering Informations

Serie	Total height (L)	Embossing	Operating Force	Function	Electrical life	Function	ROHS	Packing		
Q120912	043	N	A	N	104	N	R	BU		
	043= 4,30mm	N= without Embossing	A = 250gr	N= No function	104= 100000 cycles by 250 / O-Force	N= No function	N= non ROHS	BU= Bulk Ware		
	050= 5,00mm						R= ROHS conform	TR= Tape Reel		

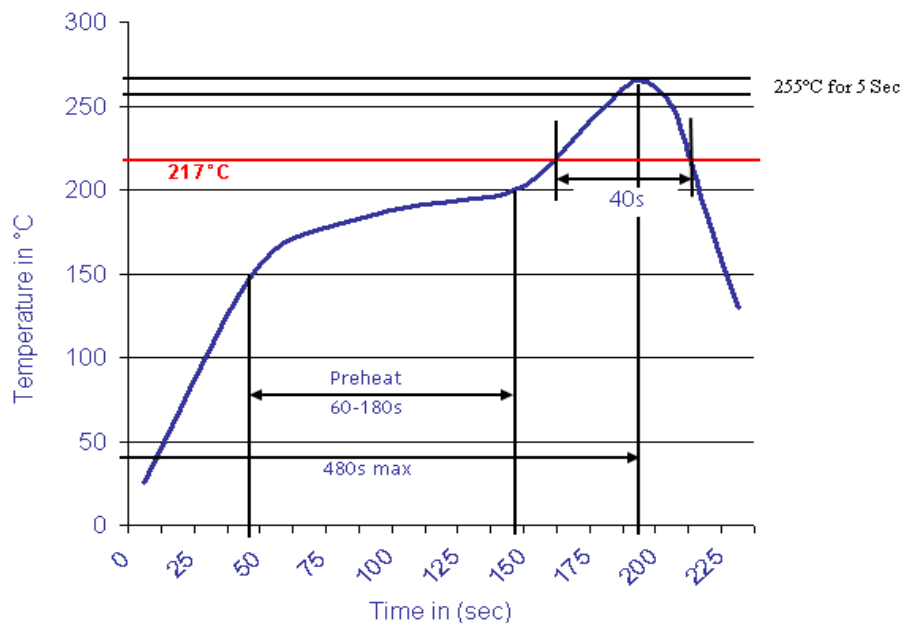
SMT Tact Switch	
Part No.:	Q120912
Customer:	

DRW:	Jason	CHKD	Wilson	MATL:	Wilson	TOLERANCE	Mason	DATE	02.03.2011
APPD:	Schumi			FINISH	Jamy		Sheet No.	2 from 3	



Soldering Profile for Lead Free Soldering

Classification Reflow Profile (JEDEC J-STD-020C)



SMT Tact Switch	
Part No.:	Q120912
Customer:	

DRW:	Jason	CHKD	Wilson	MATL:	Wilson	TOLERANCE	Mason	DATE	02.03.2011
APPD:	Schumi			FINISH	Jamy		Sheet No.	3 from 3	