

# EDCON-COMPONENTS



## SPECIFICATION:

Current Rating: DC12V / 50mA  
 Inculation Resistance: 100M Ohm min 100VDC  
 Dielectric Withstanding: 250VAC for 1min.  
 Operating Temperature: -30°C ~ +85°C  
 Contact Resistance: 100m Ohm max.  
 Travel: 0,25mm  
 Operating force: 200 / 250gr.

Operating Life: 100.000 / 200.000 Cycles

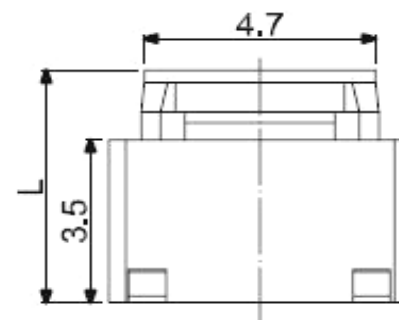
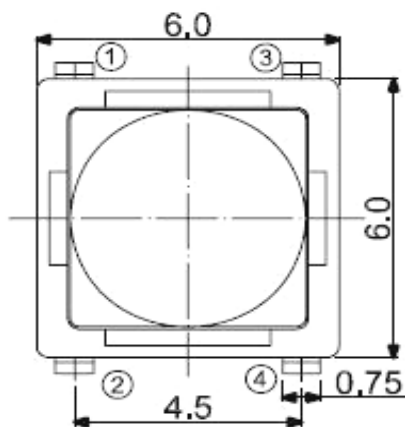
## Features:

4 Directional Center push switch with a body height of 1,8mm for compact and slimmer set design.

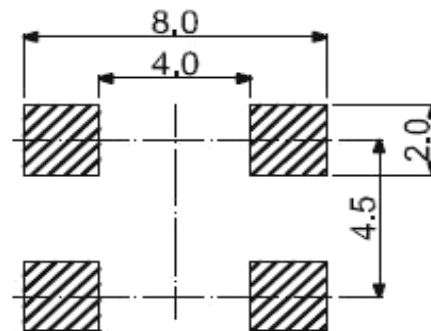
Multi-directional input type with four directions plus push down.

Contributing to smaller space designing by ist.  
 Suitable for reflow-soldering

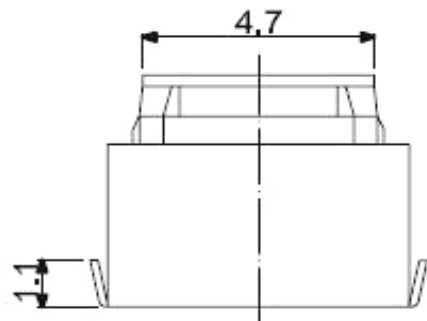
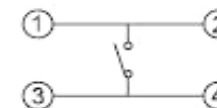
## Drawing



## PCB Layout



## Circuit Diagramm



## SMT Tact Switch

Part No.: **Q12091**

Customer:

DRW:	Jason	CHKD	Wilson	MATL:	Wilson	TOLERANCE	Mason	DATE	02.03.2011
APPD:	Schumi			FINISH	Jamy		Sheet No.	1 from 3	

# EDCON-COMPONENTS



## Ordering Informations

Serie	Total height (L)	Embossing	Operating Force	Function	Electrical life	Function	ROHS	Packing		
<b>Q12091</b>	<b>050</b>	<b>N</b>	<b>A</b>	<b>N</b>	<b>104</b>	<b>N</b>	<b>R</b>	<b>BU</b>		
	050= 5,00mm	N= without Embossing	A = 200gr	N= No function	104= 100000 cycles by 200 / O-Force	N= No function	N= non ROHS	BU= Bulk Ware		
	070= 7,00mm		B = 250gr		503= 50000 cycles by 250 / O-Force		R= ROHS conform	TR= Tape Reel		

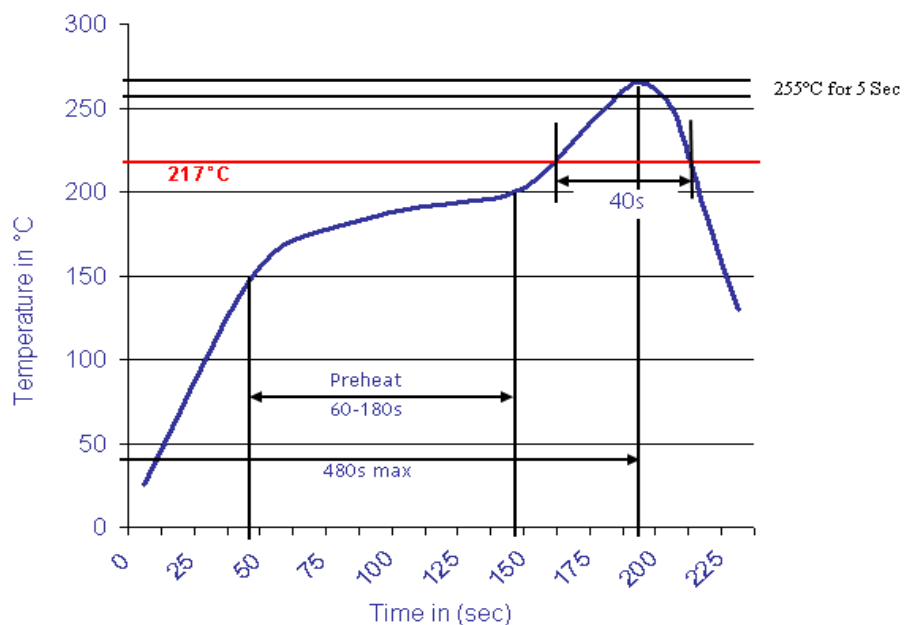
<b>SMT Tact Switch</b>	
Part No.:	<b>Q12091</b>
Customer:	

DRW:	Jason	CHKD	Wilson	MATL:	Wilson	TOLERANCE	Mason	DATE	02.03.2011
APPD:	Schumi			FINISH	Jamy		Sheet No.	2 from 3	



**Soldering Profile for Lead Free Soldering**

Classification Reflow Profile (JEDEC J-STD-020C)



<b>SMT Tact Switch</b>	
Part No.:	<b>Q12091</b>
Customer:	

DRW:	Jason	CHKD	Wilson	MATL:	Wilson	TOLERANCE	Mason	DATE	02.03.2011
APPD:	Schumi			FINISH	Jamy		Sheet No.	3 from 3	