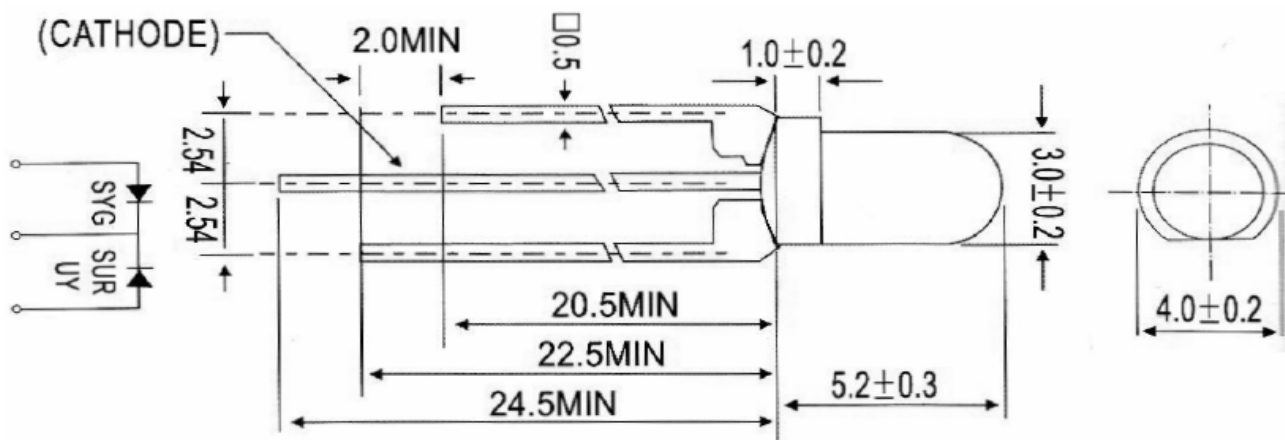




Applications

- Electronic Signs and Signals
- Small Area Illuminations
 - Back Lighting
 - Other Lighting

Technical Drawing



Notes :

All dimensions in mm tolerance is ± 0.1mm unless otherwise noted.

Round LED	
Green	Red
Part No.:	M13G9002
Customer:	

DRW:	Ron	CHKD	Lang	MATL:	Chang	DATE	04.12.2009
APPD:	Xie			FINISH	Wang	Sheet	1 from 6



Absolute Maximum Ratings

Ta=25°C

Item	Symbol	GaP	GaAsP / GaP	Unit
Power Dissipation	P _D	---	---	mW
DC Forward Current	I _F	20	---	mA
Pulsed Forward Current	I _{FP} *	---	---	mA
Reverse Voltage	V _R	---	---	V
Operating Temperature	T _{OP}	---	---	°C
Storage Temperature	T _{ST}	-55 to 100	---	°C

* 0.1 msec pulse, 10% duty cycle

Electrical / Optical Characteristics

I_F=20mA Ta=25°C

Emitting Color Material	Green		Red	
		GaP		GaAsP / GaP
Forward Voltage	typ.	2.1	2.0	V _F
	max.	2.4	2.4	V _F
Wavelength typ.	λ _D	571	635	nm
	λ _P	---	---	nm
	Δλ	---	---	nm
Color Temperature	min.	---	---	K
	max.	---	---	K
Luminous Intensity *	min.	17	15	mcd
	typ.	25	25	mcd
Reverse Current	max.	---	---	μA
Viewing Angle	2Θ1/2	45		

* Per NIST standards

Round LED	
Green	Red
Part No.:	M13G9002
Customer:	

DRW:	Ron	CHKD	Lang	MATL:	Chang	DATE	04.12.2009
APPD:	Xie			FINISH	Wang	Sheet	2 from 6



Directive Characteristics

Round LED	
Green	Red
Part No.:	M13G9002
Customer:	

DRW:	Ron	CHKD	Lang	MATL:	Chang	DATE	04.12.2009
APPD:	Xie			FINISH	Wang	Sheet	3 from 6



Curve

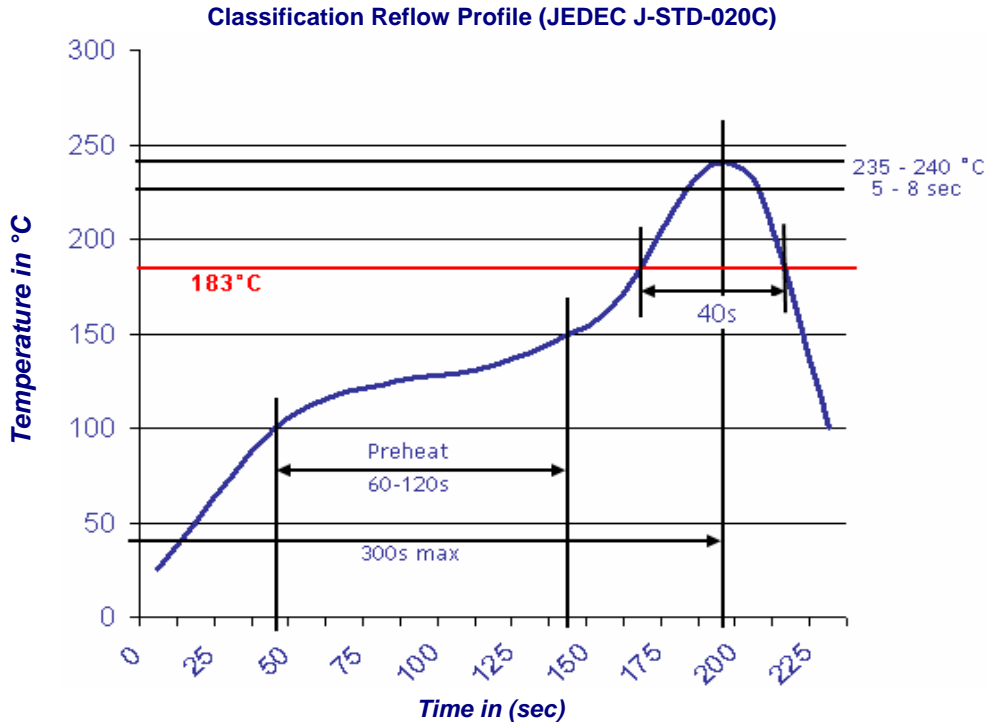
Round LED	
Green	Red
Part No.:	M13G9002
Customer:	

DRW:	Ron	CHKD	Lang	MATL:	Chang	DATE	04.12.2009
APPD:	Xie			FINISH	Wang	Sheet	4 from 6



Solder Condition

Lead Free Solder

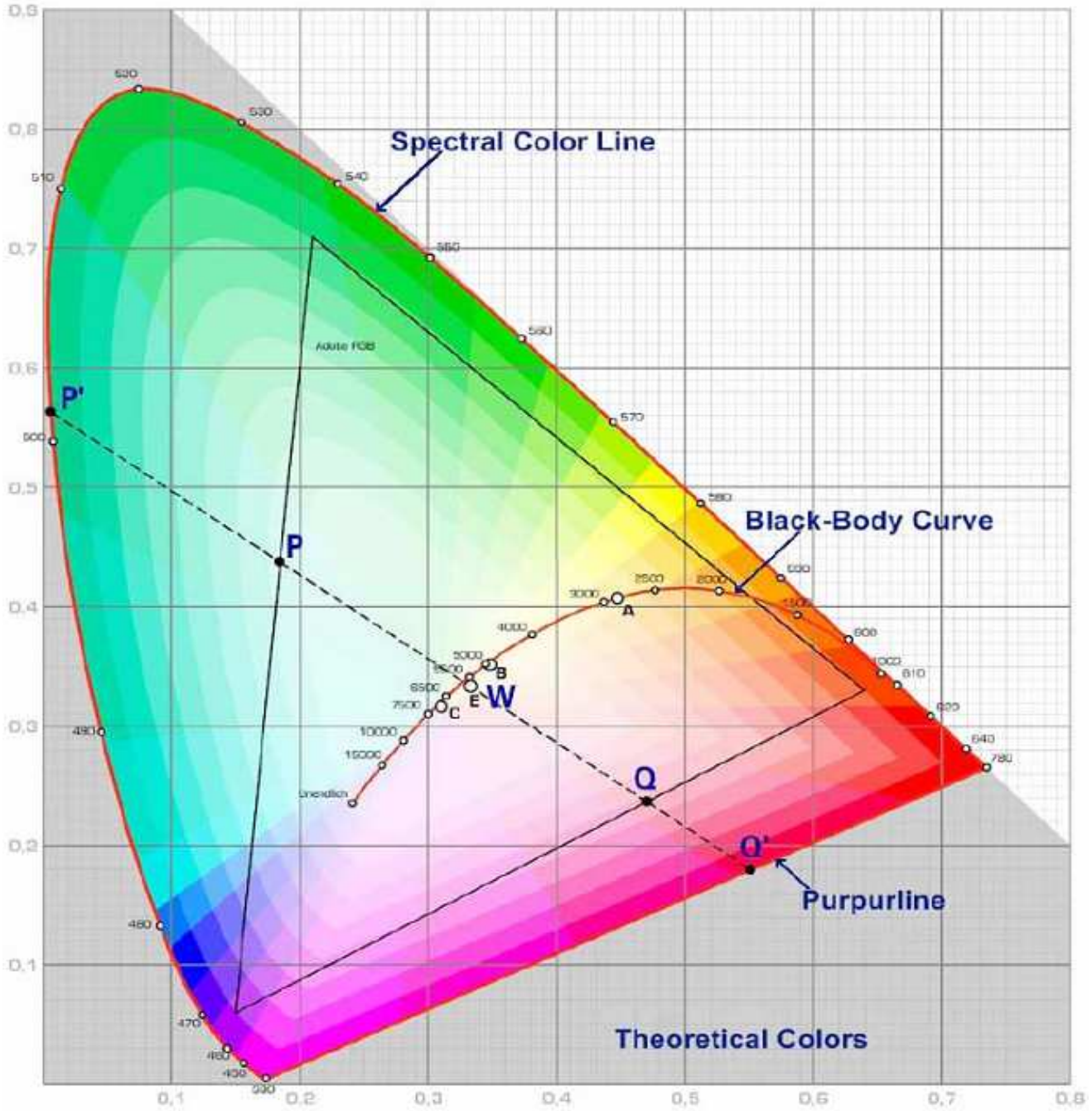


Round LED	
Green	Red
Part No.:	M13G9002
Customer:	

DRW:	Ron	CHKD	Lang	MATL:	Chang	DATE	04.12.2009
APPD:	Xie			FINISH	Wang	Sheet	5 from 6



Color table curve



Round LED	
Green	Red
Part No.:	M13G9002
Customer:	

DRW:	Ron	CHKD	Lang	MATL:	Chang	DATE	04.12.2009
APPD:	Xie			FINISH	Wang	Sheet	6 from 6

Copyright by EDCON-COMPONENTS