

EDCON-COMPONENTS



Technical Parameter:

Color of Laser: Red
 Supply Voltage: 2,5~4,0V
 Wavelength: 655nm
 Output Power: 25mW

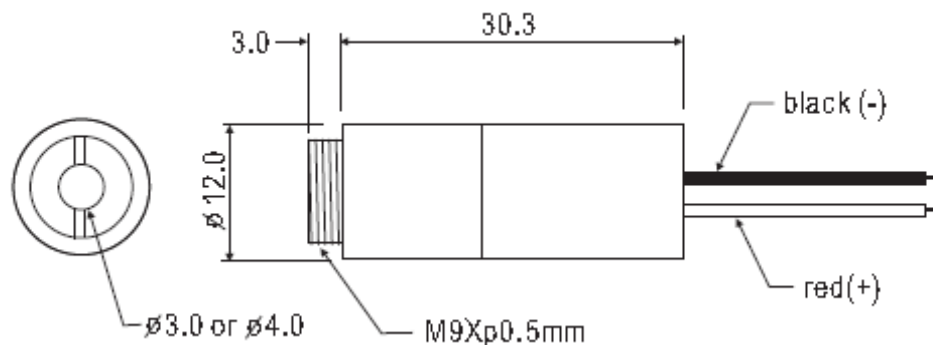
Application: Medical Industrial
 Wire Lead length: 100mm
 Color of Wire: Red / Black
 Open end 5mm tinned ends

This Product complies with 21 CFR 1040.10 and 1040.11

This beam emitted from the laser module is visible and may be harmful to the human eye. Avoid any possibility of looking into the laser package or the collimated beam along its optical axis when the device is in operation

ESD precautions must be taken when handling unit.

Visible laser radiation avoid direct exposure to beam.



Laser Products

Part No.: **M29023**

Customer:

DRW:	Jason	CHKD	Wilson	MATL:	Wilson	TOLERANCE	Mason	DATE	01.08.2010
APPD:	Schumi			FINISH	Jamy		Sheet No.	1 from 1	

www.edcon-components.com

email: info@edcon-components.com

EDCON-COMPONENTS



Ordering Information

Serie	Wavelength	Voltage	Output Power	Wire Lead Length	ROHS	Packing				
M29023	655	4V	020	151	R	B				

655= 655nm	4V= 4 Volt	020= 20mW	151= 150mm (Standard)	R= ROHS Conform	B= One PCS in Antistatic Polybag

Laser Products	
Part No.:	M29023
Customer:	

DRW:	Jason	CHKD	Wilson	MATL:	Wilson	TOLERANCE	Mason	DATE	01.08.2010
APPD:	Schumi			FINISH	Jamy		Sheet No.	2 from 2	