

EDCON-COMPONENTS



Technical Parameter:

Color of Laser: Red
 Supply Voltage: 3V
 Wavelength: 650nm
 Output Power: 3mW

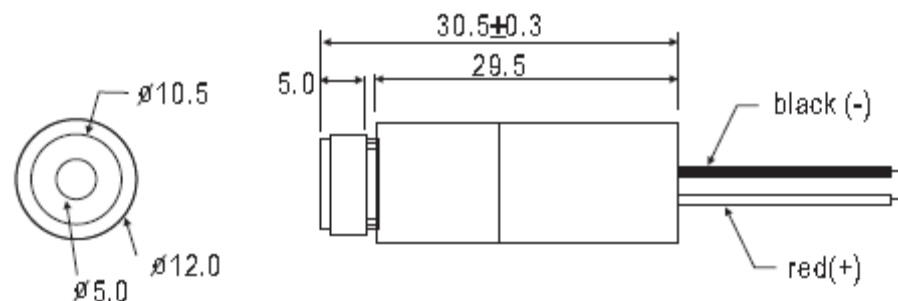
Application: Laser Liner
 Wire Lead length: 100mm
 Color of Wire: Red / Black
 Open end 5mm tinned ends

This Product complies with 21 CFR 1040.10 and 1040.11

This beam emitted from the laser module is visible and may be harmful to the human eye. Avoid any possibility of looking into the laser package or the collimated beam along its optical axis when the device is in operation

ESD precautions must be taken when handling unit.

Visible laser radiation avoid direct exposure to beam.



Laser Products

Part No.: **M29008**

Customer:

| | | | | | | | | | |
|-------|--------|------|--------|--------|--------|-----------|-----------|----------|------------|
| DRW: | Jason | CHKD | Wilson | MATL: | Wilson | TOLERANCE | Mason | DATE | 01.08.2010 |
| APPD: | Schumi | | | FINISH | Jamy | | Sheet No. | 1 from 1 | |

EDCON-COMPONENTS



Ordering Information

| Serie | Wavelength | Voltage | Output Power | Wire Lead Length | ROHS | Packing | | | | |
|---------------|------------|-----------|--------------|------------------|----------|----------|--|--|--|--|
| M29008 | 650 | 3V | 003 | 151 | R | B | | | | |

| | | | | | |
|-------------------|-------------------|-----------------|------------------------------|------------------------|-----------------------------------------|
| 650= 650nm | 3V= 3 Volt | 003= 3mW | 151= 150mm (Standard) | R= ROHS Conform | B= One PCS in Antistatic Polybag |
| | | | | | |

| |
|-------------------------|
| Laser Products |
| Part No.: M29008 |
| Customer: |

| | | | | | | | | | |
|-------|--------|------|--------|--------|--------|-----------|-----------|----------|------------|
| DRW: | Jason | CHKD | Wilson | MATL: | Wilson | TOLERANCE | Mason | DATE | 01.08.2010 |
| APPD: | Schumi | | | FINISH | Jamy | | Sheet No. | 2 from 2 | |