

EDCON-COMPONENTS

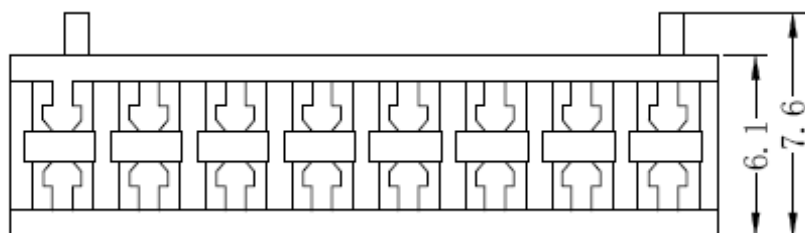
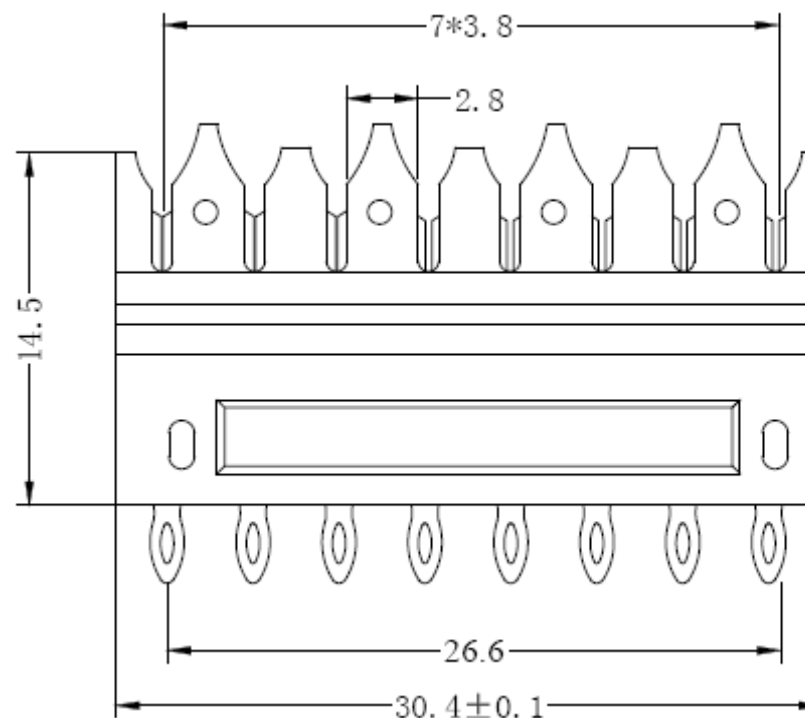
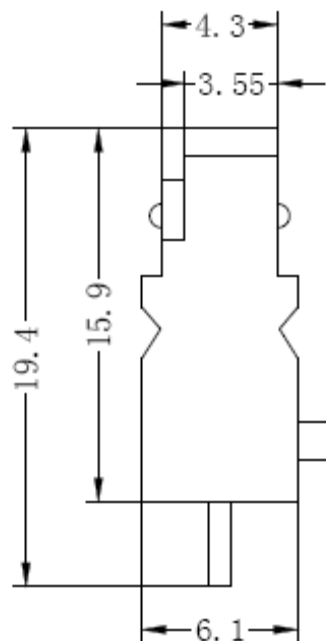


Technical Description

Housing: PC UL94V-0
 Contact: Phosphor Bronze w. silver Plating
 Option: Phosphor Bronze w. nickel Plating
 Wire cable size: 24# AWG

Contact Resistance: 10 milli Ohm max.
 Voltage Rating: 250VDC
 Operating Resistance: 500VDC voltage appl 1000M Ohm min.
 Dielectric strength: AC 1000Vrms

Drawing



IDC / PCB Connector	
Part No.:	T91A35005
Customer:	

DRW:	Jason	CHKD	Wilson	MATL:	Wilson	TOLERANCE	Mason	DATE	09.10.2015
APPD:	Schumi			FINISH	Jamy		Sheet No.		1 from 3

EDCON-COMPONENTS



Ordering Informations

Serie	Housing Material	Contact plating	Color of Body	Spezial Function	ROHS	Packing				
-------	------------------	-----------------	---------------	------------------	------	---------	--	--	--	--

T91A35005	C	N	WH	0	R	BU				
------------------	----------	----------	-----------	----------	----------	-----------	--	--	--	--

	S= Silver plating	WH= White	0= No function	R= ROHS Conform	BU= Bulk-Ware
	N= Nickel Plating				IV= Individual Packing
C= PC					

IDC / PCB Connector
Part No.: T91A35005
Customer:

DRW:	Jason	CHKD	Wilson	MATL:	Wilson	TOLERANCE	Mason	DATE	09.10.2015
APPD:	Schumi			FINISH	Jamy		Sheet No.	2 from 3	



Soldering Profile Curve

Classification Reflow Profile (JEDEC J-STD-020C)



IDC / PCB Connector	
Part No.:	T91A35005
Customer:	

DRW:	Jason	CHKD	Wilson	MATL:	Wilson	TOLERANCE	Mason	DATE	09.10.2015
APPD:	Schumi			FINISH	Jamy		Sheet No.	3 from 3	