

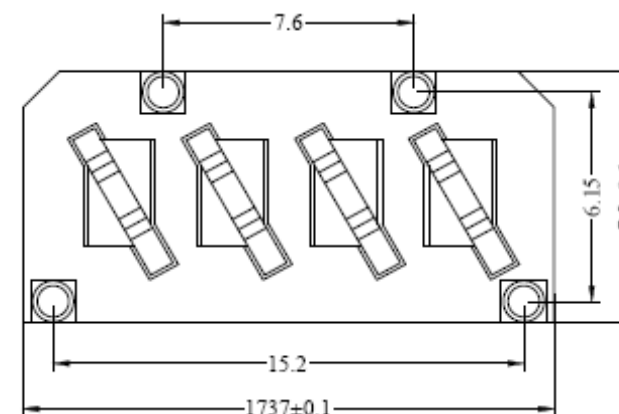
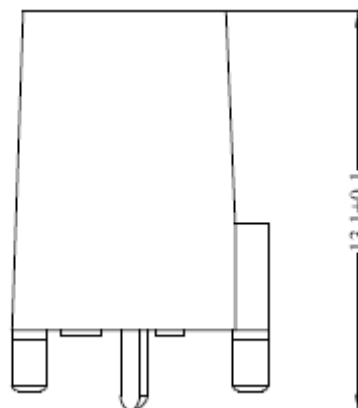
EDCON-COMPONENTS



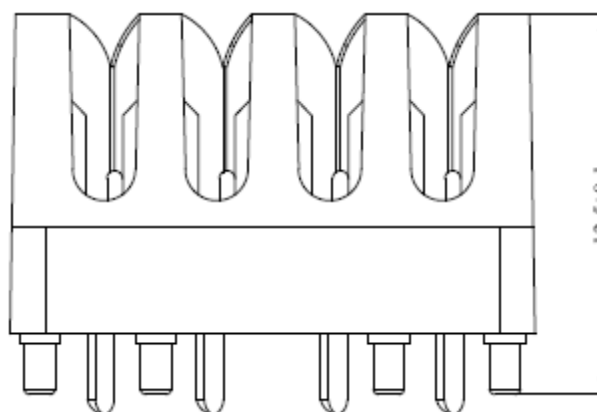
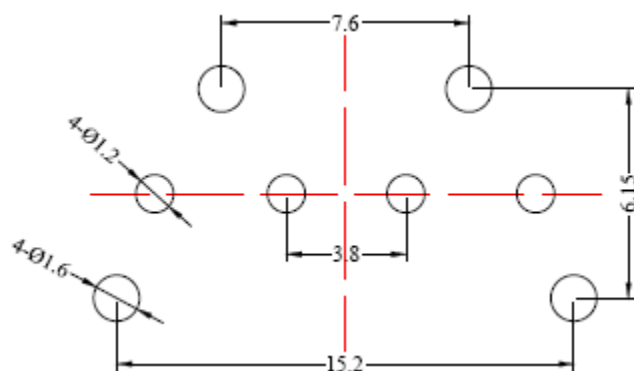
Technical Discription

Housing: PBT or PPO or PC
 Contact: Phosphor Bronze w. silver Plating
 Option: Phosphor Bronze w. nickel Plating
 Wire cable size: solid copper wires up to 0,4~0,8mm
 Insulation: Pe or PVC insulated wire 100% PE
 foam skin filled / unfilled up to 1,4mm Dia
 Contact Resistance: 10 milli Ohm max.
 Voltage Rating: 250VDC
 Operating Resistance: 500VDC voltage appl 5000M Ohm min.
 Dielectric strength: AC 2000Vrms

Drawing



PCB Layout



IDC / PCB Connector

Part No.: **T91A35003**

Customer:

DRW:	Jason	CHKD	Wilson	MATL:	Wilson	TOLERANCE	Mason	DATE	09.10.2015
APPD:	Schumi			FINISH	Jamy		Sheet No.	1 from 3	

EDCON-COMPONENTS



Ordering Informations

Serie	Housing Material	Contact plating	Color of Body	Spezial Function	ROHS	Packing				
-------	------------------	-----------------	---------------	------------------	------	---------	--	--	--	--

T91A35003	A	N	WH	0	R	BU				
------------------	----------	----------	-----------	----------	----------	-----------	--	--	--	--

A= PBT	S= Silver plating	WH= White	0= No function	R= ROHS Conform	BU= Bulk-Ware
B= PPO	N= Nickel Plating				IV= Individual Packing
C= PC					

IDC / PCB Connector
Part No.: T91A35003
Customer:

DRW:	Jason	CHKD	Wilson	MATL:	Wilson	TOLERANCE	Mason	DATE	09.10.2015
APPD:	Schumi			FINISH	Jamy		Sheet No.	2 from 3	



Soldering Profile Curve

Classification Reflow Profile (JEDEC J-STD-020C)



IDC / PCB Connector
Part No.: T91A35003
Customer:

DRW:	Jason	CHKD	Wilson	MATL:	Wilson	TOLERANCE	Mason	DATE	09.10.2015
APPD:	Schumi			FINISH	Jamy		Sheet No.	3 from 3	