

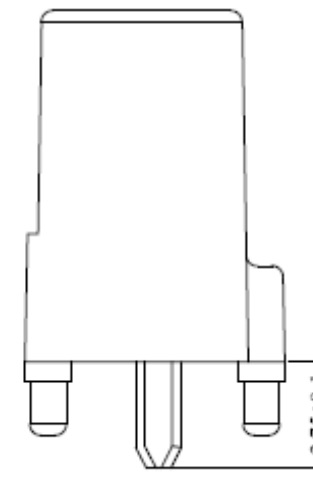
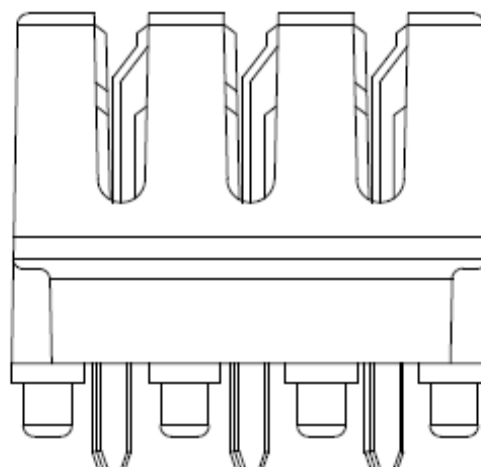
# EDCON-COMPONENTS



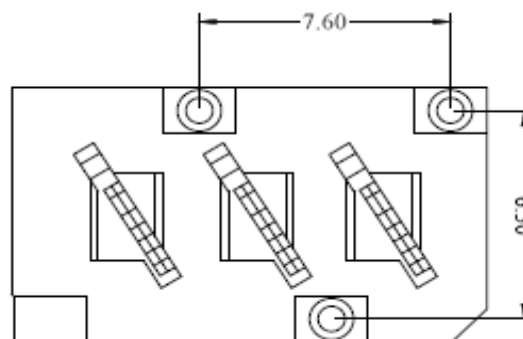
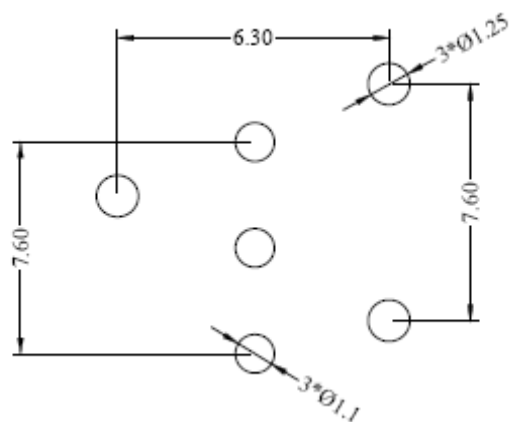
## Technical Discription

**Housing:** PBT or PPO or PC  
**Contact:** Phosphor Bronze w. silver Plating  
**Option:** Phosphor Bronze w. nickel Plating  
**Wire cable size:** solid copper wires up to 0,4~0,8mm  
**Insulation:** Pe or PVC insulated wire 100% PE foam skin filled / unfilled up to 1,4mm Dia  
**Contact Resistance:** 10 milli Ohm max.  
**Voltage Rating:** 250VDC  
**Operating Resistance:** 500VDC voltage appl 5000M Ohm min.  
**Dielectric strength:** AC 2000Vrms

## Drawing



## PCB Layout



## IDC / PCB Connector

Part No.: **T91A35001**

Customer:

DRW:	Jason	CHKD	Wilson	MATL:	Wilson	TOLERANCE	Mason	DATE	09.10.2015
APPD:	Schumi			FINISH	Jamy		Sheet No.	1 from 3	

# EDCON-COMPONENTS



## Ordering Informations

Serie	Housing Material	Contact plating	Color of Body	Spezial Function	ROHS	Packing				
-------	------------------	-----------------	---------------	------------------	------	---------	--	--	--	--

<b>T91A35001</b>	<b>A</b>	<b>N</b>	<b>WH</b>	<b>0</b>	<b>R</b>	<b>BU</b>				
------------------	----------	----------	-----------	----------	----------	-----------	--	--	--	--

<b>A= PBT</b>	<b>S= Silver plating</b>	<b>WH= White</b>	<b>0= No function</b>	<b>R= ROHS Conform</b>	<b>BU= Bulk-Ware</b>
<b>B= PPO</b>	<b>N= Nickel Plating</b>				<b>IV= Individual Packing</b>
<b>C= PC</b>					

<b>IDC / PCB Connector</b>
Part No.: <b>T91A35001</b>
Customer:

DRW:	Jason	CHKD	Wilson	MATL:	Wilson	TOLERANCE	Mason	DATE	09.10.2015
APPD:	Schumi			FINISH	Jamy		Sheet No.		2 from 3



Soldering Profile Curve

Classification Reflow Profile (JEDEC J-STD-020C)



<b>IDC / PCB Connector</b>	
Part No.:	<b>T91A35001</b>
Customer:	

DRW:	Jason	CHKD	Wilson	MATL:	Wilson	TOLERANCE	Mason	DATE	09.10.2015
APPD:	Schumi			FINISH	Jamy		Sheet No.	3 from 3	