

EDCON-COMPONENTS



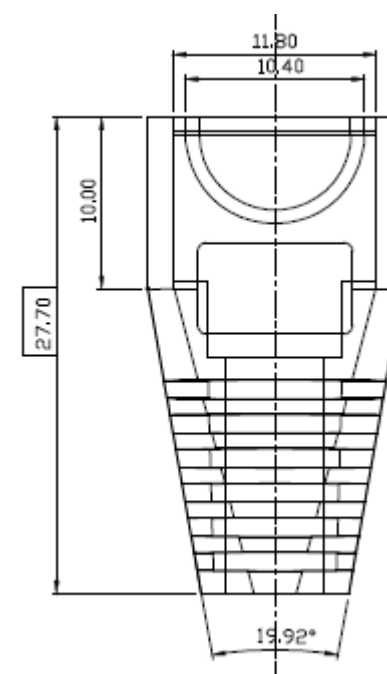
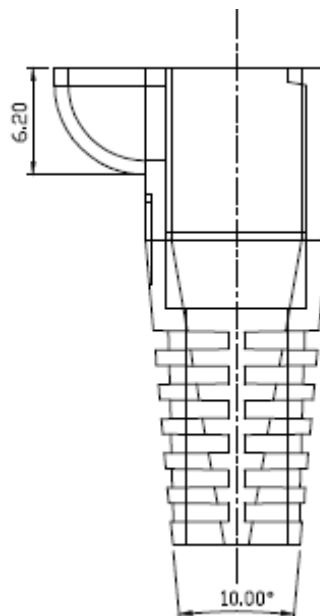
Technical Discription

Mechanical

Jacket Material PVC

Working Temperatur . -40°C ~ +70°C

Technical Drawing



Modular Jacket for 8Pos. RJ-Connector

Part No.: **T91A30024-**

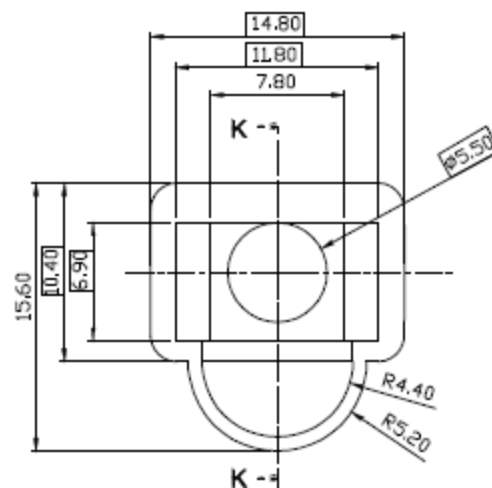
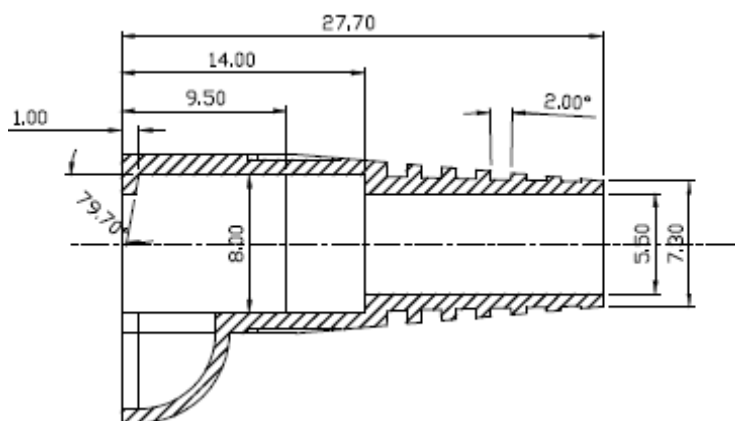
Customer:

DRW:	John	CHKD	Tony	MATL:	Tony	TOLERANCE	Su	DATE	02.09.2015
APPD:	Jimmy			FINISH	Jeff		Sheet No.	1 from 3	

EDCON-COMPONENTS



Technical Drawing



Modular Jacket for 8Pos. RJ-Connector

Part No.: **T91A30024-**

Customer:

DRW:	John	CHKD	Tony	MATL:	Tony	TOLERANCE	Su	DATE	02.09.2015
APPD:	Jimmy			FINISH	Jeff		Sheet No.	2 from 3	

EDCON-COMPONENTS



Ordering Informations

Serie	No. Of. Positions	Housing Material	Special Features	Case Color	ROHS	Packing
-------	-------------------	------------------	------------------	------------	------	---------

T91A30024-	8	P	0	A	R	BU
-------------------	----------	----------	----------	----------	----------	-----------

8= 8Pos.	P= PVC	0= No special features	A= Brown	R= ROHS conform	BU= Bulk-Ware
			B= Gray	N= NON ROHS conform	
			C= Green		
			D= Blue		
			E= Red		
			F= Yellow		
			K= Black		

Modular Jacket for 8Pos. RJ-Connector

Part No.: **T91A30024-**

DRW:	John	CHKD	Tony	MATL:	Tony	TOLERANCE	Su	DATE	02.09.2015	Customer:
APPD:	Jimmy			FINISH	Jeff		Sheet No.	3 from 3		