



Technical Discription

Electrical

Current Rating: max. 2,0A
 Voltage Rating: 250VAC
 Insulation Resistance: 500M Ω min.
 Contact Resistance: 35M Ω max.
 Withstanding Voltage: AC1000V RMS 50/60Hz 1min.

Mechanical

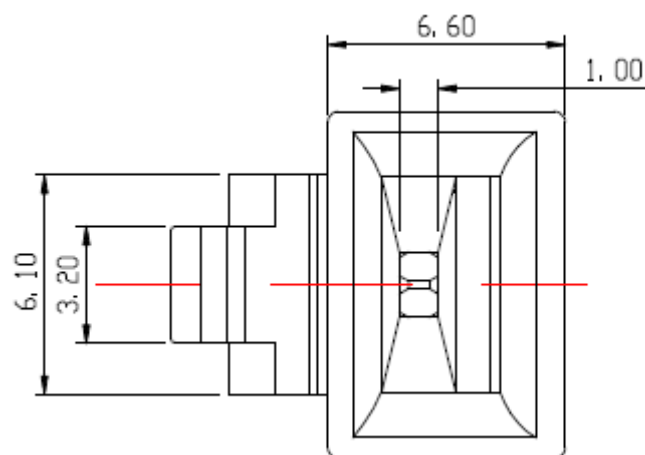
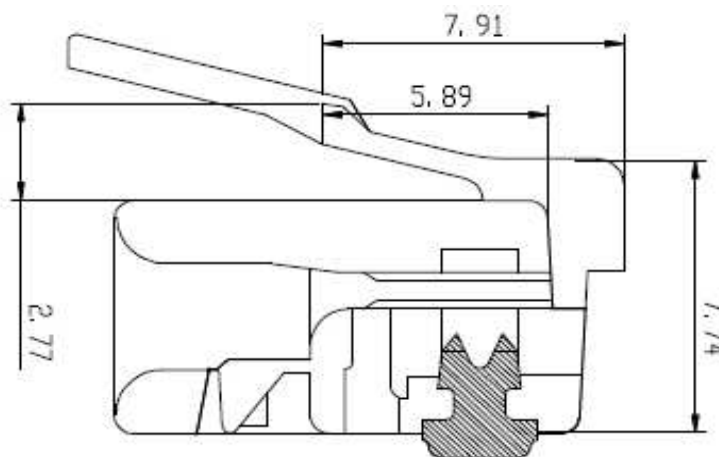
Insertion Force: 2,2Kg.F.max.
 Retention Strength: 7,7Kg.F min.beetween jack a. plug
 Durability: 500 mating cycles min.

Material

Housing: ABS RESIN (UL94V-0)
 PBT(UL94V-0 PA66(UÖ94V-0)
 PA46(UL94V-0)
 Diameter 0,45mm Phosphor
 Bronze Gold Plating over Nickel
 Contact wire: 0,35mm thickness phosphor
 bronze alloy selective Gold plating
 over nickel
 Shield 0,20~0,25mm thickness brass with
 tin plated
 Contact Plating Gold Flash, 3 μ / 6 μ / 15 μ / 30 μ 50 μ
 inch

Working Temperatur . -40°C ~ +70°C

Technical Drawing



**PCB Modular Plug Short Body
 Unshielded 6P2C**

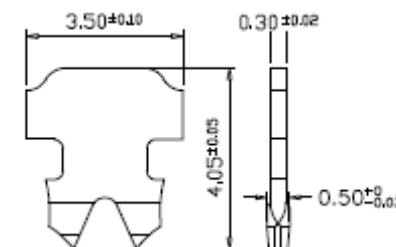
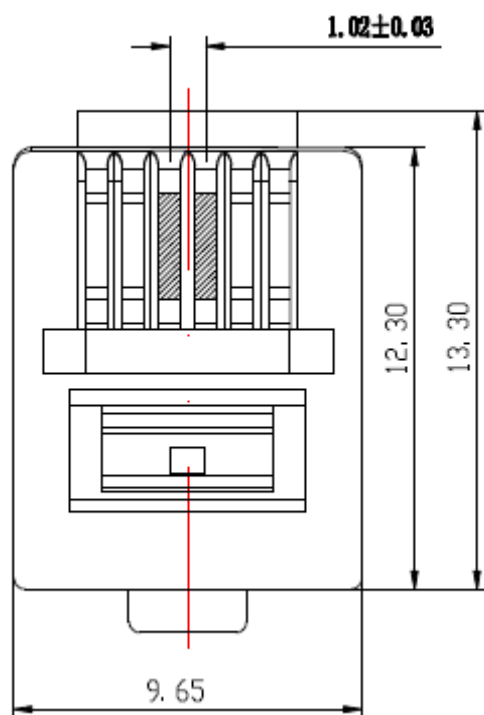
Part No.: **T91A30012-**

Customer:

DRW:	John	CHKD	Tony	MATL:	Tony	TOLERANCE	Su	DATE	02.09.2015
APPD:	Jimmy			FINISH	Jeff		Sheet No.		1 from 3



Technical Drawing



Contact Type B

**PCB Modular Plug Short Body
Unshielded 6P2C**

Part No.: **T91A30012-**

Customer:

DRW:	John	CHKD	Tony	MATL:	Tony	TOLERANCE	Su	DATE	02.09.2015
APPD:	Jimmy			FINISH	Jeff		Sheet No.	2 from 3	

EDCON-COMPONENTS



Ordering Informations

Serie	No. Of. Positions	No. Of Contact	Contact Plating	Housing Material	Contact Type	Case Color	ROHS	Packing
T91A30012-	6	2	GF	A	A	0	R	BU

6= 6Pos.	2= Pos. connecting	GF= Gold Flash	A= UL94V-0	A= Stanged Wire	0= Clear Body	R= ROHS conform	BU= Bulk-Ware
		GA= 3µGold Plating	B= UL94V-2	B= 2 Prongs f. Solid wire	1= Clear Red Body	N= NON ROHS conform	
		GB= 6µGold Plating		C= 3 Prongs f. Solid wire	2= Clear Blue Body		
		GC= 15µGold Plating			3= Clear Green Body		
		GD= 30µGold Plating					
		GE= 50µGold Plating					

**PCB Modular Plug Short Body
Unshielded 6P2C**

Part No.: **T91A30012-**

DRW:	John	CHKD	Tony	MATL:	Tony	TOLERANCE	Su	DATE	02.09.2015
APPD:	Jimmy			FINISH	Jeff		Sheet No.		3 from 3

Customer: