

# EDCON-COMPONENTS



## Technical Discription

### Electrical

Current Rating: max. 2,0A  
 Voltage Rating: 250VAC  
 Insulation Resistance: 500M  $\Omega$  min.  
 Contact Resistance: 35M  $\Omega$  max.  
 Withstanding Voltage: AC1000V RMS 50/60Hz 1min.

### Mechanical

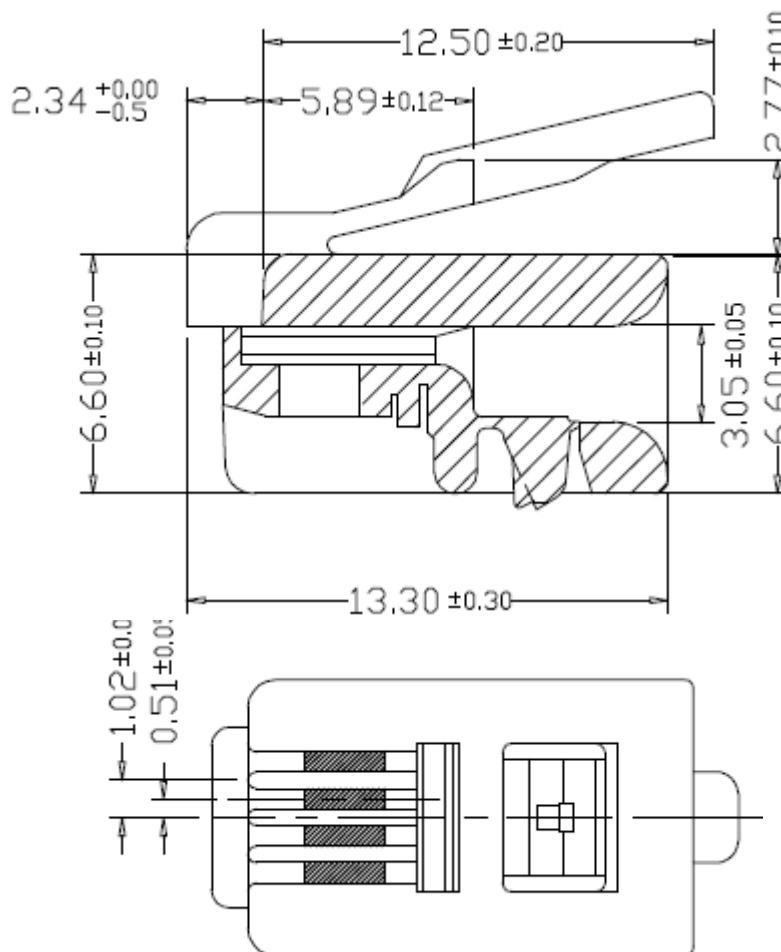
Insertion Force: 2,2Kg.F.max.  
 Retention Strength: 7,7Kg.F min.beetween jack a. plug  
 Durability: 500 mating cycles min.

### Material

Housing: ABS RESIN (UL94V-0)  
 PBT(UL94V-0 PA66(UÖ94V-0)  
 PA46(UL94V-0)  
 Diameter 0,45mm Phosphor  
 Bronze Gold Plating over Nickel  
 Contact wire: 0,35mm thickness phosphor  
 bronze alloy selective Gold plating  
 over nickel  
 Shield 0,20~0,25mm thickness brass with  
 tin plated  
 Contact Plating Gold Flash, 3 $\mu$  / 6 $\mu$  / 15 $\mu$  / 30 $\mu$  50 $\mu$   
 inch

Working Temperatur . -40°C ~ +70°C

## Technical Drawing



**PCB Modular Plug Short Body  
 Unshielded 4P4C**

Part No.: **T91A30009-**

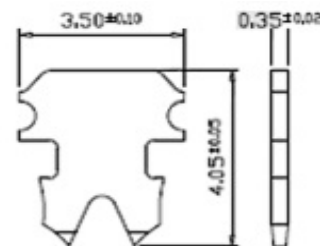
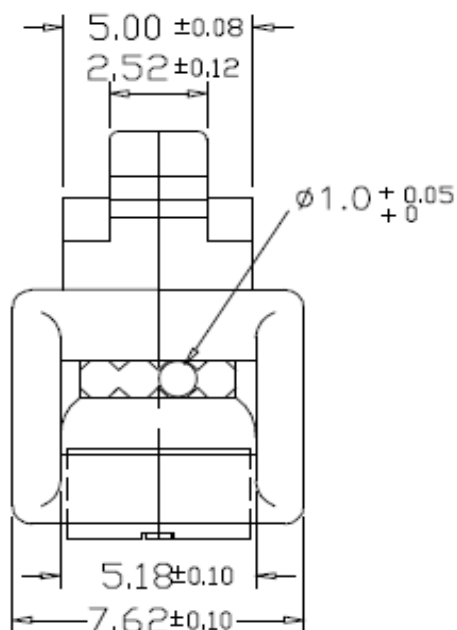
Customer:

DRW:	John	CHKD	Tony	MATL:	Tony	TOLERANCE	Su	DATE	02.09.2015
APPD:	Jimmy			FINISH	Jeff		Sheet No.		1 from 3

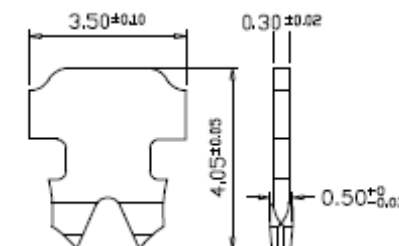
# EDCON-COMPONENTS



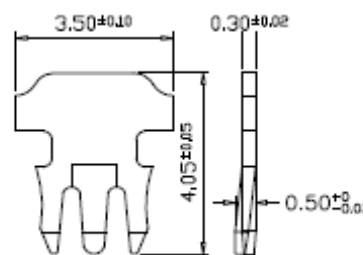
## Technical Drawing



Contact Type A



Contact Type B



Contact Type C

**PCB Modular Plug Short Body  
Unshielded 4P4C**

Part No.: **T91A30009-**

Customer:

DRW:	John	CHKD	Tony	MATL:	Tony	TOLERANCE	Su	DATE	02.09.2015
APPD:	Jimmy			FINISH	Jeff		Sheet No.	2 from 3	

# EDCON-COMPONENTS



## Ordering Informations

Serie	No. Of. Positions	No. Of Contact	Contact Plating	Housing Material	Contact Type	Case Color	ROHS	Packing
<b>T91A30009-</b>	<b>4</b>	<b>4</b>	<b>GF</b>	<b>A</b>	<b>A</b>	<b>0</b>	<b>R</b>	<b>BU</b>

<b>4=</b> 4Pos.	<b>4=</b> Pos. connecting	<b>GF=</b> Gold Flash	<b>A=</b> UL94V-0	<b>A=</b> Stanged Wire	<b>0=</b> Clear Body	<b>R=</b> ROHS conform	<b>BU=</b> Bulk-Ware
		<b>GA=</b> 3µGold Plating	<b>B=</b> UL94V-2	<b>B=</b> 2 Prongs f. Solid wire	<b>1=</b> Clear Red Body	<b>N=</b> NON ROHS conform	
		<b>GB=</b> 6µGold Plating		<b>C=</b> 3 Prongs f. Solid wire	<b>2=</b> Clear Blue Body		
		<b>GC=</b> 15µGold Plating			<b>3=</b> Clear Green Body		
		<b>GD=</b> 30µGold Plating					
		<b>GE=</b> 50µGold Plating					

**PCB Modular Plug Short Body  
Unshielded 4P4C**

Part No.: **T91A30009-**

DRW:	John	CHKD	Tony	MATL:	Tony	TOLERANCE	Su	DATE	02.09.2015
APPD:	Jimmy			FINISH	Jeff		Sheet No.		3 from 3

Customer:

[www.edcon-components.com](http://www.edcon-components.com)

email: [info@edcon-components.com](mailto:info@edcon-components.com)