

EDCON-COMPONENTS



Technical Discription

Electrical RJ-45

Current Rating:	1,5A
Voltage Rating:	125VAC
Insulation Resistance:	500M Ω min.
Contact Resistance:	30m Ω max.
Withstanding Voltage:	AC 500V RMS 50/60Hz 1min.

Mechanical RJ-45

Insertion Force:	5 Lbs max.
Retention Strength:	7,7Kg.F min.beetween jack a. plug
Durability:	1000 mating cycles min.

Electrical USB

Current Rating:	1,0A
Voltage Rating:	125VAC
Insulation Resistance:	1000M Ω min.
Contact Resistance:	30m Ω max.
Withstanding Voltage:	AC 750V RMS 50/60Hz 1min.

Mechanical USB

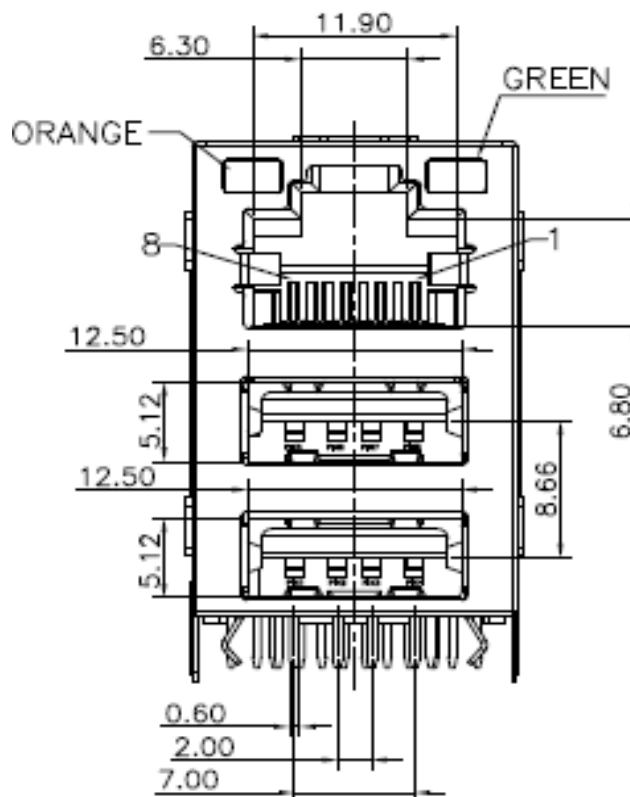
Contact Mating Force:	34N (3,5KG) Max
Connector Force:	9,8N (1,0Kg) max.
Durability:	1500 mating cycles min.

Material

Insulator:	Thermoplastic (UL94V-0
Contact:	Thickness Phosphor Bronzw
Contact Plating:	Nickel under Gold plated Area

Working Temperatur . -0°C ~ +70°C

Technical Drawing



Option	Left Led Forward	Right Led Reverse
G	Green	
Y	Yellow	
G		Green
Y		Yellow

USB2.0 Dual Port + 1xRJ45

Part No.: **T91A27002-**

Customer:

DRW:	John	CHKD	Tony	MATL:	Tony	TOLERANCE	Su	DATE	13.06.2016
APPD:	Jimmy			FINISH	Jeff		Sheet No.		1 from 5

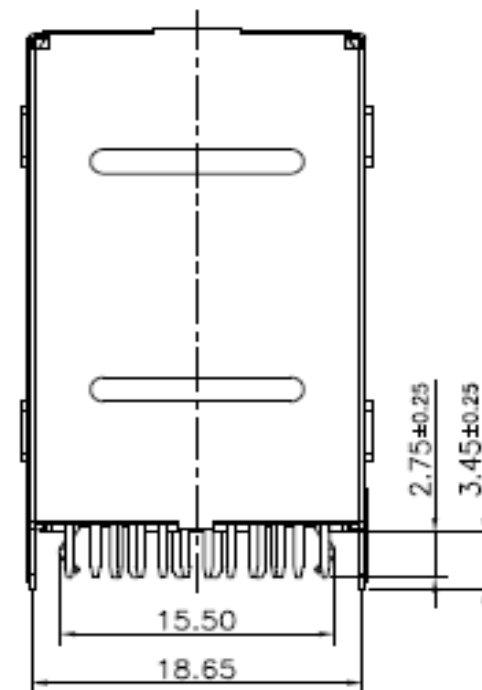
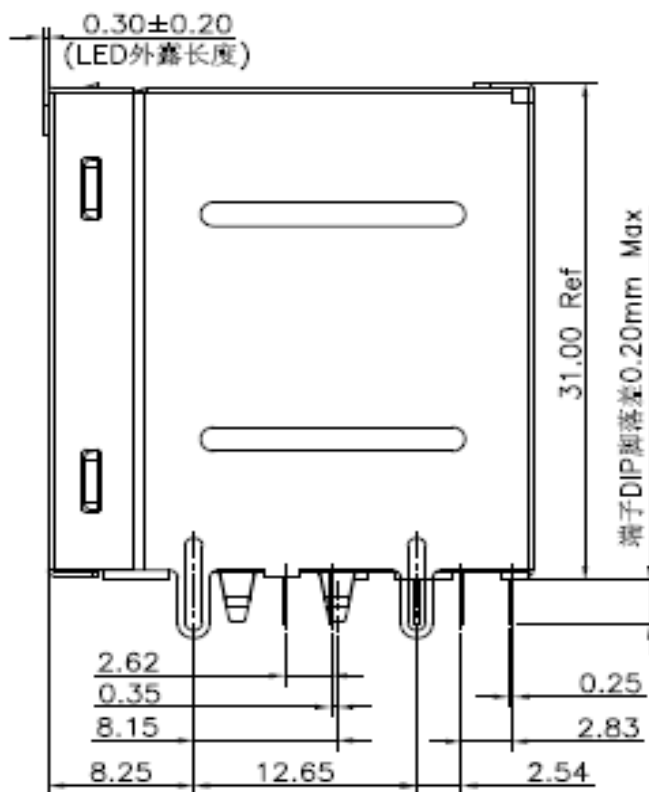
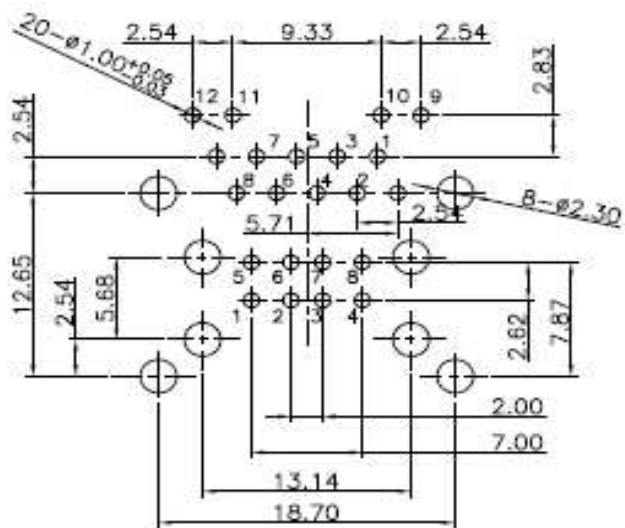
www.edcon-components.com

email: info@edcon-components.com

EDCON-COMPONENTS



PCB Layout



USB2.0 Dual Port + 1xRJ45

Part No.: **T91A27002-**

Customer:

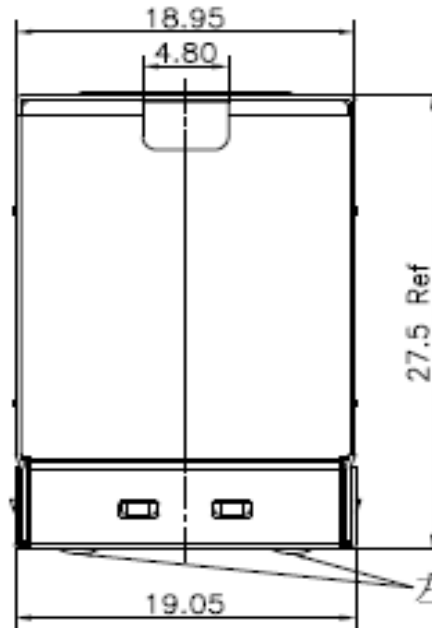
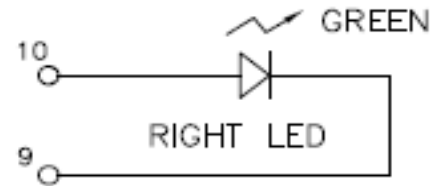
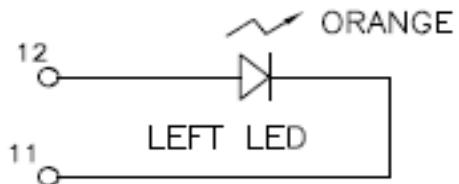
DRW:	John	CHKD	Tony	MATL:	Tony	TOLERANCE	Su	DATE	13.06.2016
APPD:	Jimmy			FINISH	Jeff		Sheet No.		2 from 5

www.edcon-components.com

email: info@edcon-components.com

Copyright by S.Tiede

EDCON-COMPONENTS



左右LED落差0.25mm Max

USB2.0 Dual Port + 1xRJ45

Part No.: **T91A27002-**

DRW:	John	CHKD	Tony	MATL:	Tony	TOLERANCE	Su	DATE	13.06.2016
APPD:	Jimmy			FINISH	Jeff		Sheet No.	3 from 5	

Customer:

www.edcon-components.com

email: info@edcon-components.com

Copyright by S.Tiede

EDCON-COMPONENTS





Ordering Informations

Serie	No. Of. Positions	No. Of Contact	Contact Plating	Special function	Special function	Left Side	Right Side	ROHS	Packing	
T91A27002-	8	8	GF	N	N	Y	G	R	TY	

8= 8Pos.	8= 8 Pos. connecting	GF= Gold Flash	N= No special function	N= No special function	Look Table	Look Table	R= ROHS conform	TY= Tray Packing
		GA= 3µGold Plating					N= NON ROHS conform	BU= Bulk-Ware
		GB= 6µGold Plating						
		GC= 15µGold Plating						
		GD= 30µGold Plating						
		GE= 50µGold Plating						

USB2.0 Dual Port + 1xRJ45
Part No.: T91A27002-
Customer:

DRW:	John	CHKD	Tony	MATL:	Tony	TOLERANCE	Su	DATE	13.06.2016
APPD:	Jimmy			FINISH	Jeff		Sheet No.		4 from 5

www.edcon-components.com

email: info@edcon-components.com

Copyright by S.Tiede

EDCON-COMPONENTS

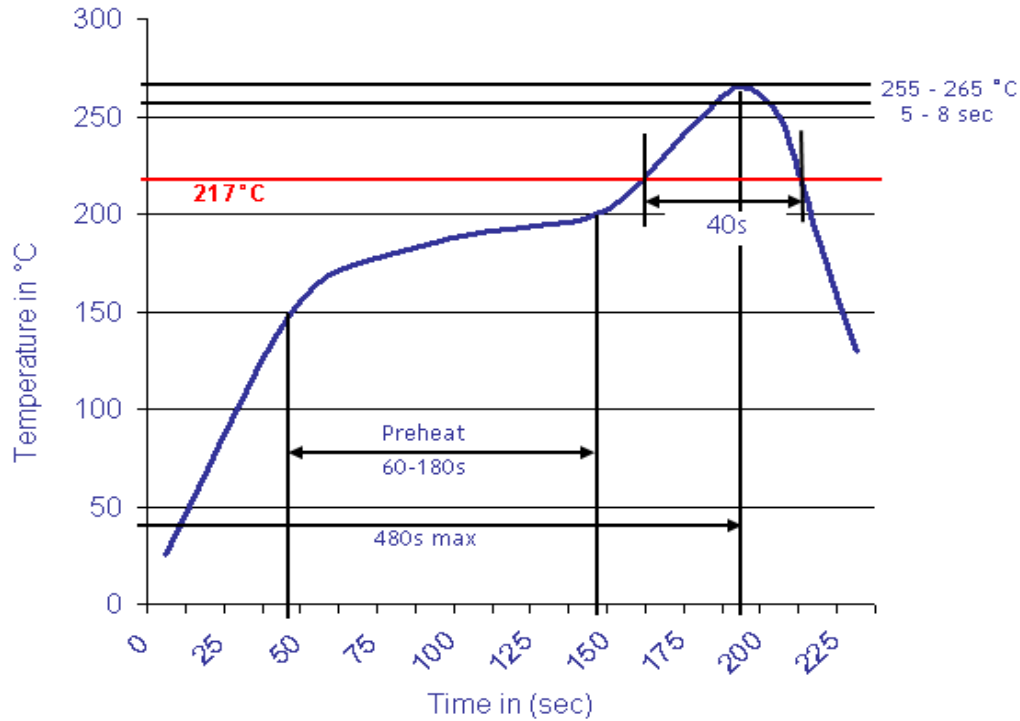




Soldering Profile Curve

Lead Free Soldering Curve

Classification Reflow Profile (JEDEC J-STD-020C)



USB2.0 Dual Port + 1xRJ45

Part No.: **T91A27002-**

DRW:	John	CHKD	Tony	MATL:	Tony	TOLERANCE	Su	DATE	13.06.2016
APPD:	Jimmy			FINISH	Jeff		Sheet No.	5 from 5	Customer: