

# EDCON-COMPONENTS



## Technical Discription

### Electrical

Current Rating: 1,5A  
 Voltage Rating: 125VAC  
 Insulation Resistance: 100M  $\Omega$  min.  
 Contact Resistance: 30m  $\Omega$  max.  
 Withstanding Voltage: AC1000V RMS 50/60Hz 1min.

### Mechanical

Insertion Force: 2,2Kg.F.max.  
 Retention Strength: 7,7Kg.F min.between jack a. plug  
 Durability: 750 mating cycles min.

### Material

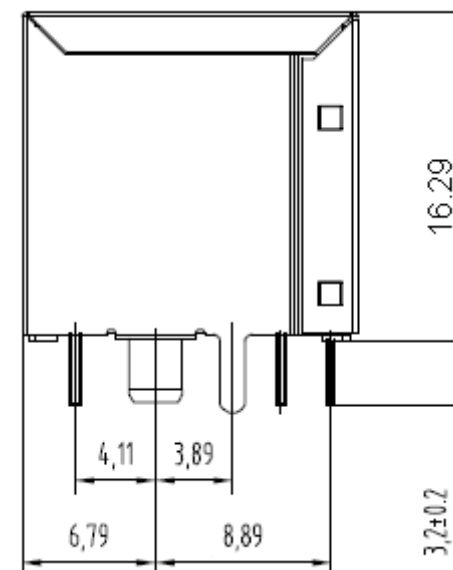
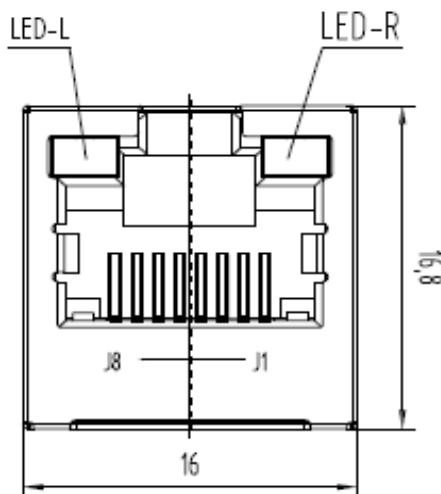
Housing: ABS RESIN (UL94V-0)  
 PBT(UL94V-0 PA66(UÖ94V-0)  
 PA46(UL94V-0)

Contact wire: Diameter 0,30mm Phosphor  
 Bronze Gold Plating over Nickel

Contact Plating Gold Flash, 3 $\mu$  / 6 $\mu$  / 15 $\mu$  / 30 $\mu$  50 $\mu$   
 inch

Working Temperatur . -0°C ~ +70°C

## Technical Drawing



**1 Port PCB Modular Jack w  
 shield w/o flange**

Part No.: **T91A17009-**

Customer:

DRW:	John	CHKD	Tony	MATL:	Tony	TOLERANCE	Su	DATE	27.12.2015
APPD:	Jimmy			FINISH	Jeff		Sheet No.		1 from 4

[www.edcon-components.com](http://www.edcon-components.com)

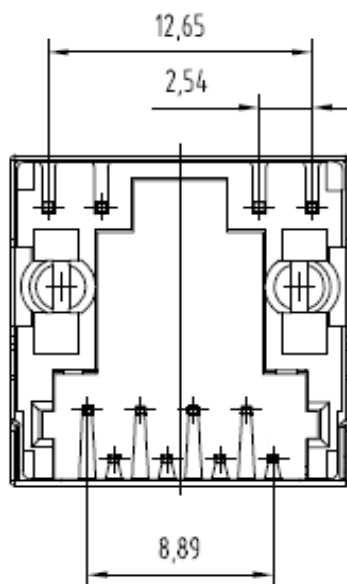
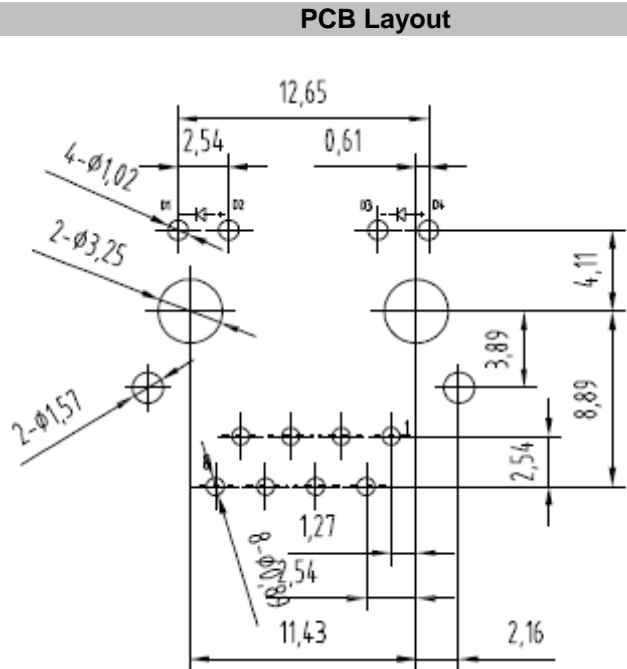
email: info@edcon-components.com

# EDCON-COMPONENTS



## Technical Drawing

### PCB Layout



**1 Port PCB Modular Jack w shield w/o flange**

Part No.: **T91A17009-**

DRW:	John	CHKD	Tony	MATL:	Tony	TOLERANCE	Su	DATE	27.12.2015
APPD:	Jimmy			FINISH	Jeff		Sheet No.	2 from 4	

Customer:

[www.edcon-components.com](http://www.edcon-components.com)

email: [info@edcon-components.com](mailto:info@edcon-components.com)

# EDCON-COMPONENTS



## Ordering Informations

Serie	No. Of. Positions	No. Of Contact	Contact Plating	Special function	Body Colour	LED-L	LED-R	ROHS	Packing
<b>T91A17009-</b>	<b>8</b>	<b>8</b>	<b>GF</b>	<b>N</b>	<b>BK</b>	<b>YE</b>	<b>GN</b>	<b>R</b>	<b>TY</b>

<b>8=</b> 8Pos.	<b>8=</b> 8Pos. connecting	<b>GF=</b> Gold Flash	<b>N=</b> without Flange	<b>BK=</b> Black	<b>YE=</b> Yellow	<b>YE=</b> Yellow	<b>R=</b> ROHS conform	<b>TY=</b> Tray Packing
		<b>GA=</b> 3µGold Plating			<b>GN=</b> Green	<b>GN=</b> Green	<b>N=</b> NON ROHS conform	<b>BU=</b> Bulk-Ware
		<b>GB=</b> 6µGold Plating			<b>RE=</b> Red	<b>RE=</b> Red		
		<b>GC=</b> 15µGold Plating						
		<b>GD=</b> 30µGold Plating						
		<b>GE=</b> 50µGold Plating						

**1 Port PCB Modular Jack w shield w/o flange**

Part No.: **T91A17009-**

DRW:	John	CHKD	Tony	MATL:	Tony	TOLERANCE	Su	DATE	27.12.2015
APPD:	Jimmy			FINISH	Jeff		Sheet No.		3 from 4

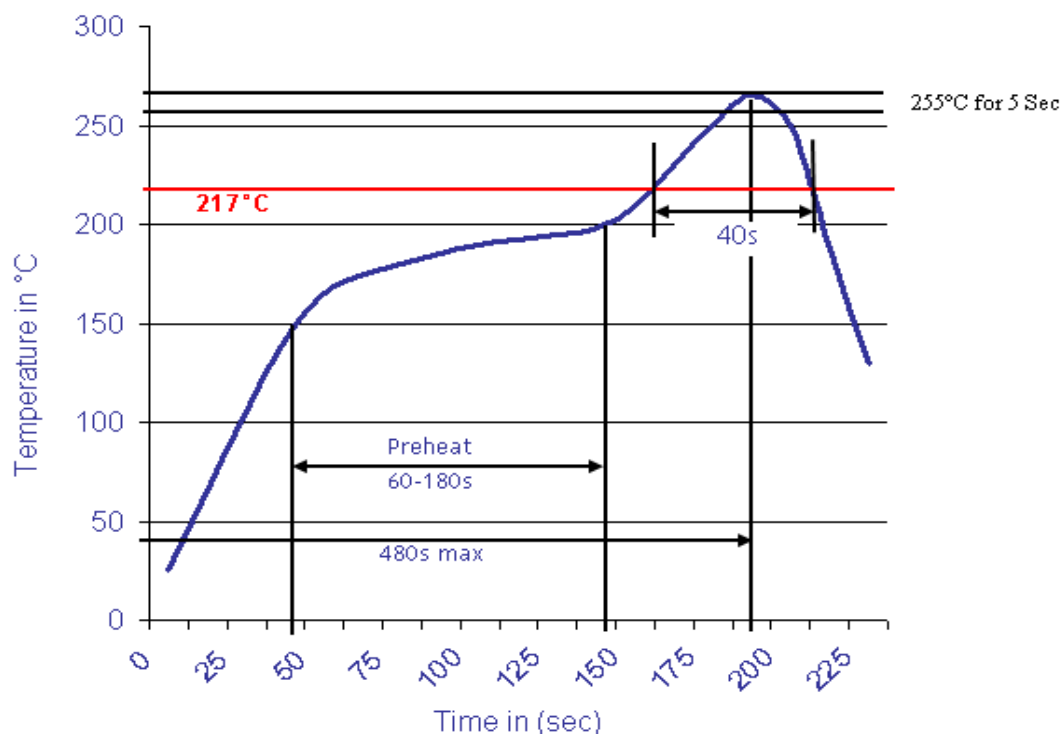
Customer:



Soldering Profile Curve

Lead Free Soldering Curve

Classification Reflow Profile (JEDEC J-STD-020C)



**1 Port PCB Modular Jack w shield w/o flange**

Part No.: **T91A17009-**

DRW:	John	CHKD	Tony	MATL:	Tony	TOLERANCE	Su	DATE	27.12.2015
APPD:	Jimmy			FINISH	Jeff		Sheet No.	4 from 4	

Customer: