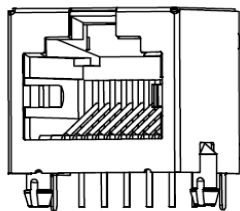


EDCON-COMPONENTS



Technical Discription

Electrical

Current Rating: 1,5A
 Voltage Rating: 125VAC
 Insulation Resistance: 500M Ω min.
 Contact Resistance: 30M Ω max.
 Withstanding Voltage: AC1000V RMS 50/60Hz 1min.

Mechanical

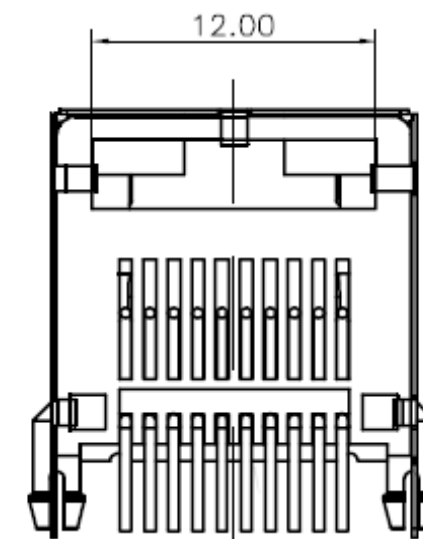
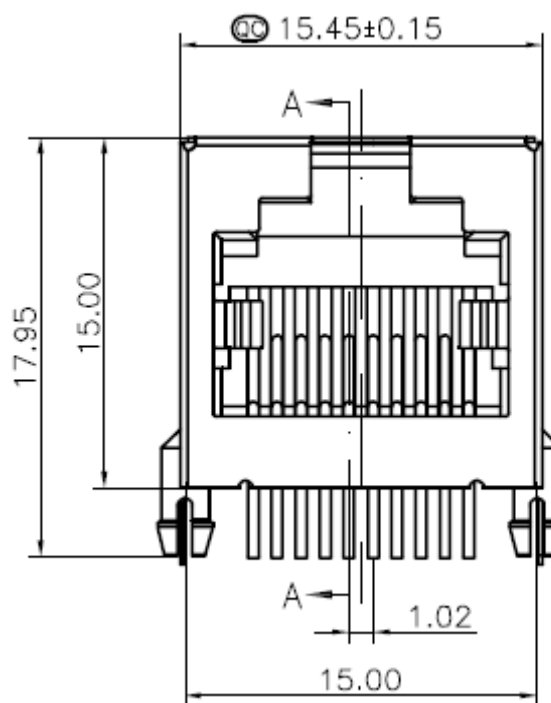
Insertion Force: 2,2Kg.F.max.
 Retention Strength: 7,7Kg.F min.beetween jack a. plug
 Durability: 600 mating cycles min.

Material

Housing: ABS RESIN (UL94V-0)
 PBT(UL94V-0 PA66(UÖ94V-0)
 PA46(UL94V-0)
 Diameter 0,45mm Phosphor
 Contact wire: Bronze Gold Plating over Nickel
 0,35mm thickness phosphor
 bronze alloy selective Gold plating
 over nickel
 Shield 0,20~0,25mm thickness brass with
 tin plated
 Contact Plating Gold Flash, 3 μ / 6 μ / 15 μ / 30 μ 50 μ
 inch

Working Temperatur . -40°C ~ +70°C

Technical Drawing



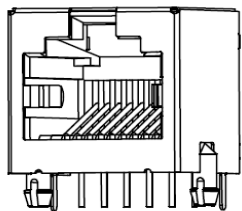
**1Port RJ-TOP-ENTRY w.
 fully shielded R=3,68mm**

Part No.: **T91A15019-**

| | | | | | | | | | |
|-------|-------|------|------|--------|------|-----------|-----------|------|------------|
| DRW: | John | CHKD | Tony | MATL: | Tony | TOLERANCE | Su | DATE | 23.05.2016 |
| APPD: | Jimmy | | | FINISH | Jeff | | Sheet No. | | 1 from 4 |

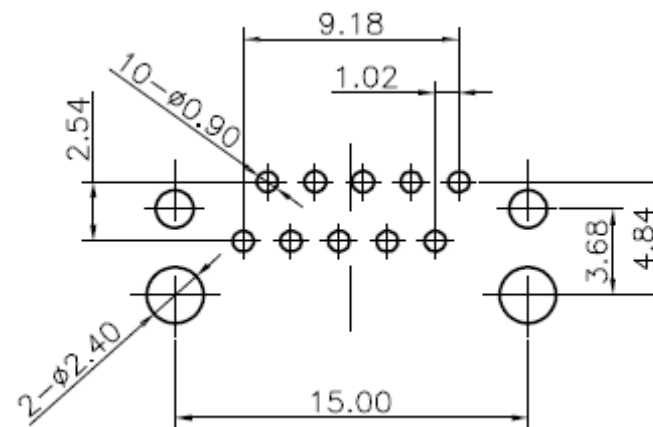
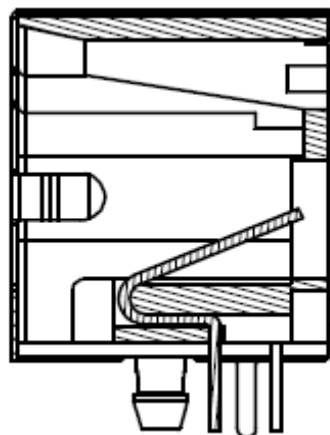
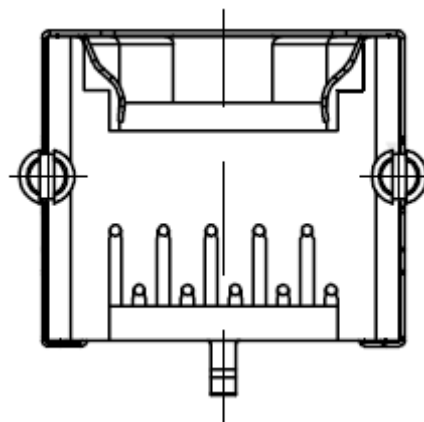
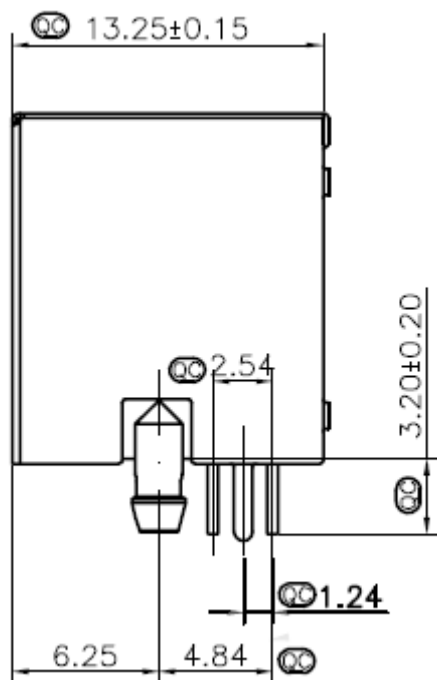
Customer:

EDCON-COMPONENTS



Technical Drawing

PCB Layout Component Side



**1Port RJ-TOP-ENTRY w.
fully shielded R=3,68mm**

Part No.: **T91A15019-**

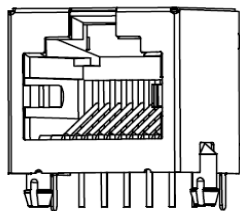
Customer:

| | | | | | | | | | |
|-------|-------|------|------|--------|------|-----------|-----------|------|------------|
| DRW: | John | CHKD | Tony | MATL: | Tony | TOLERANCE | Su | DATE | 23.05.2016 |
| APPD: | Jimmy | | | FINISH | Jeff | | Sheet No. | | 2 from 4 |

www.edcon-components.com

email: info@edcon-components.com

EDCON-COMPONENTS



Ordering Informations

| Serie | No. Of. Positions | No. Of Contact | Contact Plating | Special function | Special function | Special function | ROHS | Packing | | |
|-------------------|-------------------|----------------|-----------------|------------------|------------------|------------------|----------|-----------|--|--|
| T91A15019- | 8 | 8 | GF | N | N | N | R | TY | | |

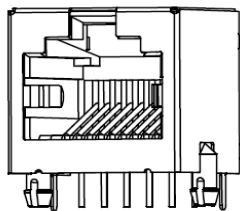
| | | | | | | | |
|-----------------|----------------------------|----------------------------|---------------------------|---------------------------|---------------------------|----------------------------|-------------------------|
| 8= 8Pos. | 8= 8Pos. connecting | GF= Gold Flash | N= No Special func | N= No Special func | N= No Special func | R= ROHS conform | TY= Tray Packing |
| | | GA= 3µGold Plating | | | | N= NON ROHS conform | BU= Bulk-Ware |
| | | GB= 6µGold Plating | | | | | |
| | | GC= 15µGold Plating | | | | | |
| | | GD= 30µGold Plating | | | | | |
| | | GE= 50µGold Plating | | | | | |

1Port RJ-TOP-ENTRY w. fully shielded R=3,68mm

Part No.: **T91A15019-**

| | | | | | | | | | |
|-------|-------|------|------|--------|------|-----------|-----------|------|------------|
| DRW: | John | CHKD | Tony | MATL: | Tony | TOLERANCE | Su | DATE | 23.05.2016 |
| APPD: | Jimmy | | | FINISH | Jeff | | Sheet No. | | 3 from 4 |

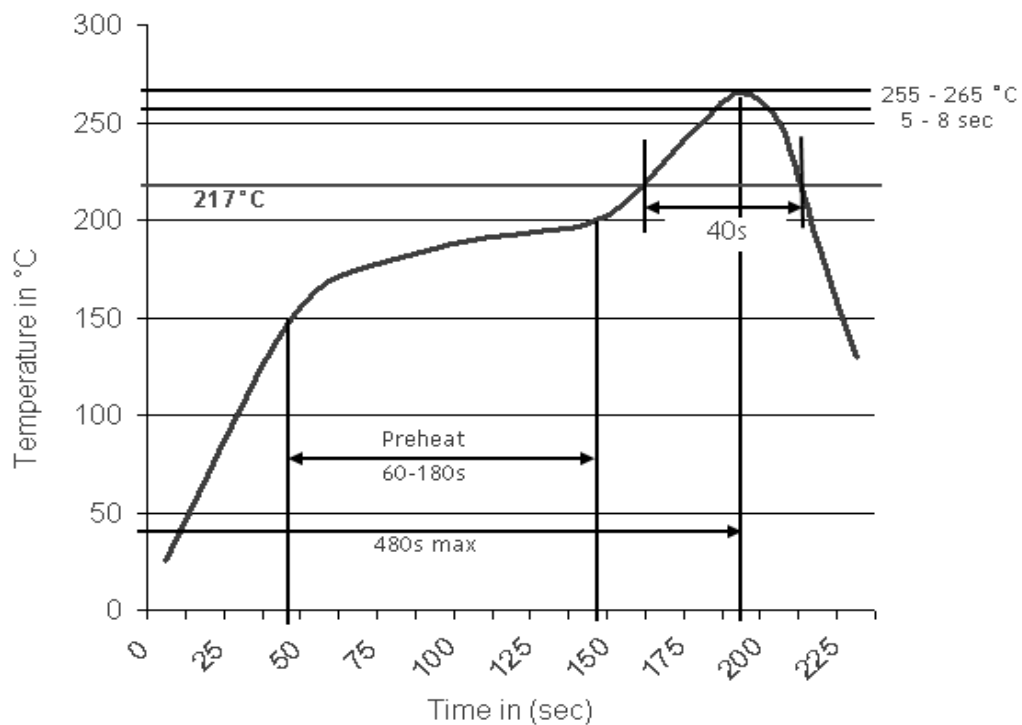
Customer:



Soldering Profile Curve

Lead Free Soldering Curve

Classification Reflow Profile (JEDEC J-STD-020C)



**1Port RJ-TOP-ENTRY w.
fully shielded R=3,68mm**

Part No.: **T91A15019-**

| | | | | | | | | | |
|-------|-------|------|------|--------|------|-----------|-----------|----------|------------|
| DRW: | John | CHKD | Tony | MATL: | Tony | TOLERANCE | Su | DATE | 23.05.2016 |
| APPD: | Jimmy | | | FINISH | Jeff | | Sheet No. | 4 from 4 | |

Customer: