

EDCON-COMPONENTS



Technical Discription

Electrical

Current Rating: 1,5A
 Voltage Rating: 125VAC
 Insulation Resistance: 100M Ω min.
 Contact Resistance: 30M Ω max.
 Withstanding Voltage: AC1000V RMS 50/60Hz 1min.

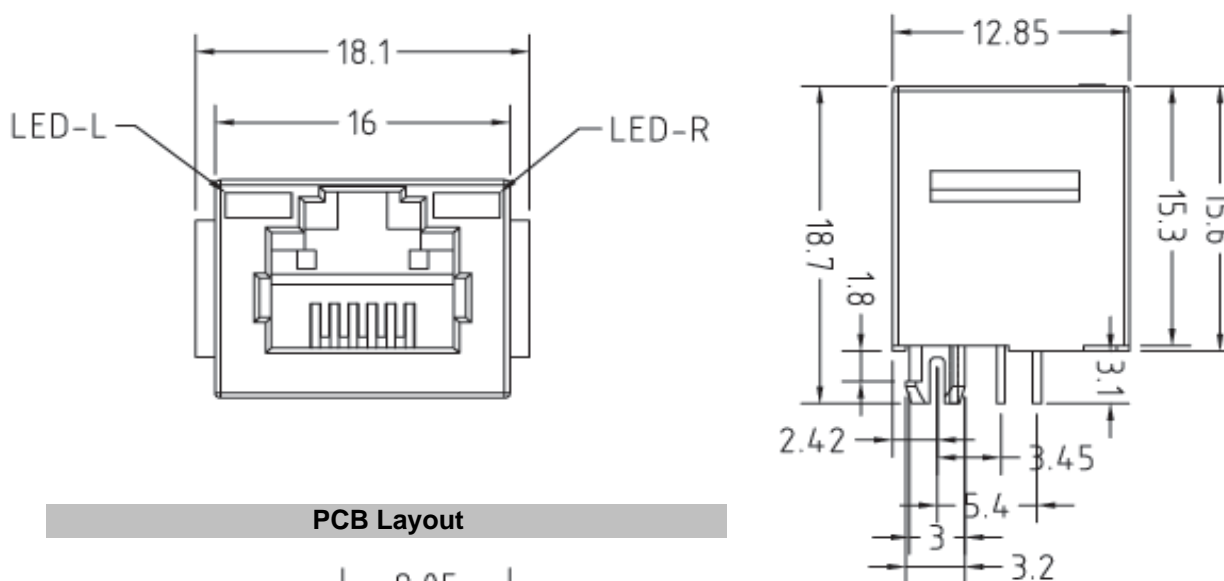
Mechanical

Insertion Force: 2,2Kg.F.max.
 Retention Strength: 7,7Kg.F min.beetween jack a. plug
 Durability: 750 mating cycles min.

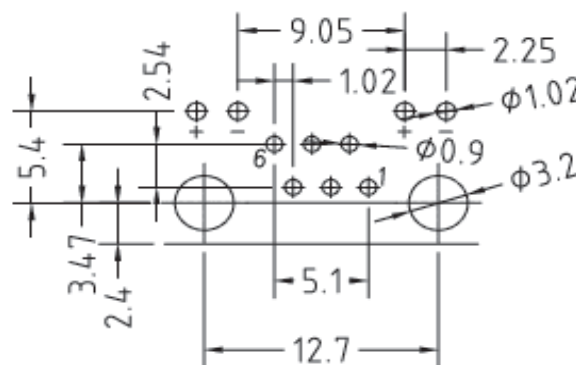
Material

Housing: ABS RESIN (UL94V-0)
 PBT(UL94V-0 PA66(UL94V-0)
 PA46(UL94V-0)
 Diameter 0,45mm Phosphor
 Bronze Gold Plating over Nickel
 Contact wire: 0,35mm thickness phosphor
 bronze alloy selective Gold plating
 over nickel
 Contact Plating Gold Flash, 3 μ / 6 μ / 15 μ / 30 μ 50 μ
 inch
 Working Temperatur . -40°C ~ +85°C

Technical Drawing



PCB Layout



**PCB Modular Jack, w
LED, w flange**

Part No.: **T91A13001-**

Customer:

DRW:	John	CHKD	Tony	MATL:	Tony	TOLERANCE	Su	DATE	04.12.2017
APPD:	Jimmy			FINISH	Jeff		Sheet No.		1 from 3

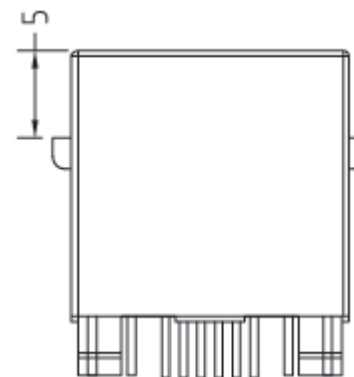
EDCON-COMPONENTS



Ordering Informations

Serie	No. Of. Positions	No. Of Contact	Contact Plating	LED -L	LED -R	Flange	Special function	Special function	ROHS	Packing
T91A13001-	6	6	GF	L1	R1	Y	N	N	R	TY

6= 6Pos.	6= 6 Pos. connecting	GF= Gold Flash GA= 3 μ Gold Plating GB= 6 μ Gold Plating GC= 15 μ Gold Plating GD= 30 μ Gold Plating GE= 50 μ Gold Plating	L1= Green	R1= Yellow	Y= with Flange Option	N= No Special function	N= No Special function	R= ROHS conform N= NON ROHS conform	TY= Tray Packing BU= Bulk-Ware
-----------------	-----------------------------	---	------------------	-------------------	------------------------------	-------------------------------	-------------------------------	--	---



PCB Modular Jack, w LED, w flange	
Part No.:	T91A13001-
Customer:	

DRW:	John	CHKD	Tony	MATL:	Tony	TOLERANCE	Su	DATE	04.12.2017
APPD:	Jimmy			FINISH	Jeff		Sheet No.		2 from 3

www.edcon-components.com

email: info@edcon-components.com

Copyright by S.Tiede

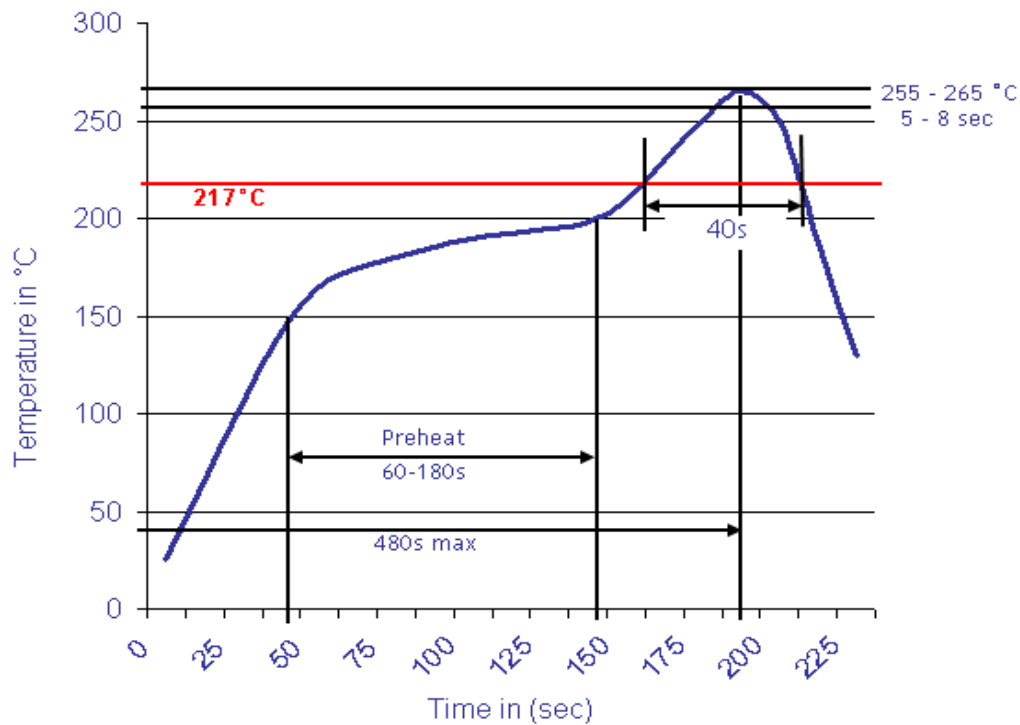
EDCON-COMPONENTS



Soldering Profile Curve

Lead Free Soldering Curve

Classification Reflow Profile (JEDEC J-STD-020C)



**PCB Modular Jack, w
LED, w flange**

Part No.: **T91A13001-**

DRW:	John	CHKD	Tony	MATL:	Tony	TOLERANCE	Su	DATE	04.12.2017	Customer:
APPD:	Jimmy			FINISH	Jeff		Sheet No.	3 from 3		