



DATA SHEET

RJ-Connector

Serie: T91A12001 -

**SMD / RJ-Connector
unshielded Version**

Serie No.: **T91A12001 -**

Customer:

DRW:	Jason	CHKD	Wilson	MATL:	Wilson	TOLERANCE	Mason	DATE	17.08.2020
APPD:	Schumi			FINISH	Jamy		Sheet No.		1 from 5



Contact



Technical Description

Technical Drawing

Electrical

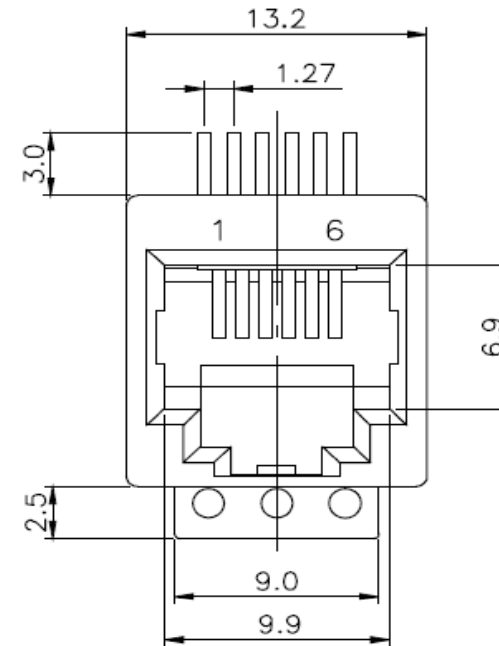
Current Rating: 1,5A
 Voltage Rating: 125VAC
 Insulation Resistance: 1000M Ω min.
 Contact Resistance: 30mΩ max.
 Withstanding Voltage: AC 1000V RMS50/60Hz 1min.

Mechanical

Insertion Force: 2,2KG F. max.
 Retention Strength: 7,7Kg F min between jack a.plug
 Durability: 600mating cycles min.

Material

Housing: ABS Resin (UL94V-0)
 PBT (UL94V-0 / PA66 UL94V-0)
 PA46 UL94V-0
 Diameter 0,45mm
 Contact Wire: Phosphor Bronze
 Gold Plating over Nickel
 0,35mm thickness
 Shield: 0,20 ~ 0,25mm thickness
 Brass with tin plated
 Contact Plating: Look order Code
 Operating Temperature: -40°C ~ +70°C



Tolerances unless otherwise specified (mm)				
x	x.x	x.xx	x.xxx	Angle
±	±	±	±	±3°

SMD / RJ-Connector unshielded Version	
Part No.:	T91A12001 -
Customer:	

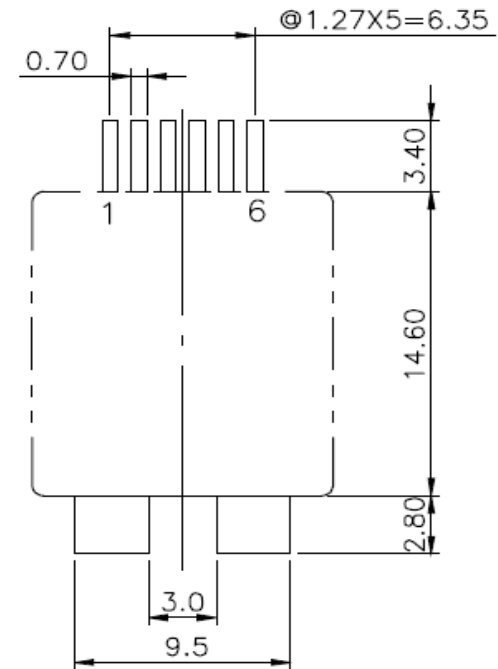
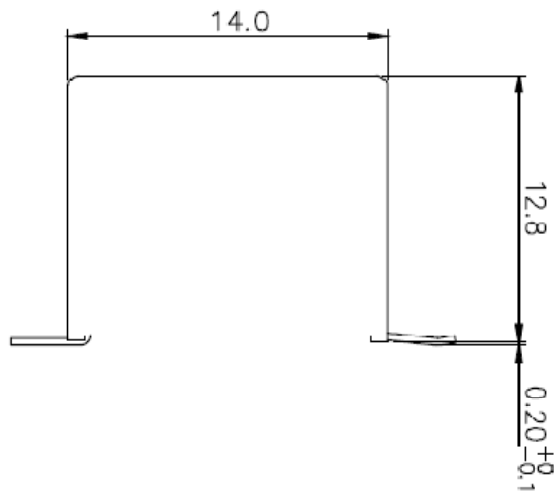
DRW:	Jason	CHKD:	Wilson	MATL:	Wilson	TOLERANCE:	Mason	DATE:	17.08.2020
APPD:	Schumi			FINISH:	Jamy			Sheet No.:	2 from 5

www.edcon-components.com

email: info@edcon-components.com



Technical Drawing



PCB-Layout

SMD / RJ-Connector unshielded Version	
Part No.:	T91A12001 -
Customer:	

DRW:	Jason	CHKD	Wilson	MATL:	Wilson	TOLERANCE	Mason	DATE	17.08.2020
APPD:	Schumi			FINISH	Jamy		Sheet No.		3 from 5

EDCON-COMPONENTS



Contact



Ordering Informations

Serie	No of Positions	No of Contacts	Contact Plating	Special function	Special function	Special function	ROHS	Packing Code		
T91A12001 -	06	06	GF	N	N	N	R	BU		

06= Contacts	06= Contacts	GF= Gold Flash (Standard)	N= No function	N= No function	N= No function	R= RoHS Conform	BU= Bulk Ware
		GA= 3µ Gold				N= NON RoHS Conform	TA= Tape Ammo Pack
		GB= 6µ Gold					TR= Tape Reel Packing when need w. PIC and PLACE CAP
		GC= 15µ Gold					
		GD= 30µ Gold					
		GE= 50µ Gold					

SMD / RJ-Connector unshielded Version
Part No.: T91A12001 -
Customer:

DRW:	Jason	CHKD	Wilson	MATL:	Wilson	TOLERANCE	Mason	DATE	17.08.2020
APPD:	Schumi			FINISH	Jamy		Sheet No.		4 from 5

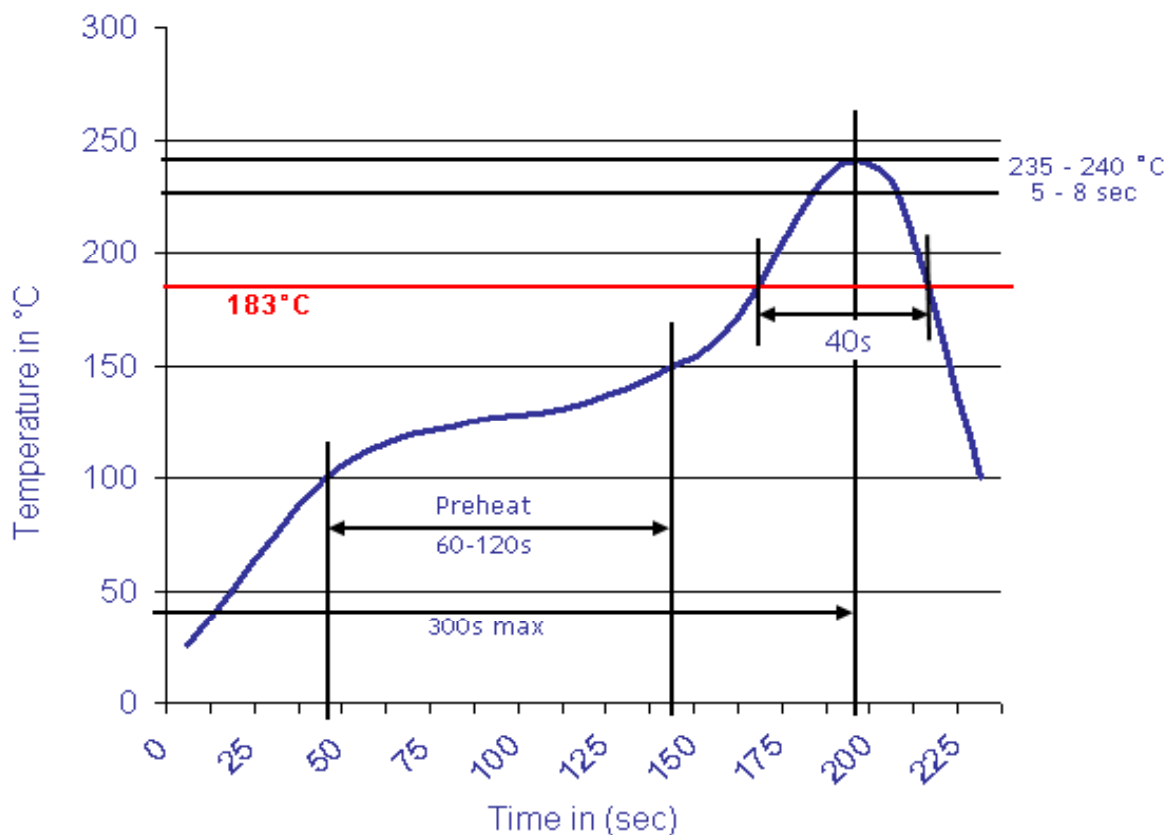


Contact



Soldering Profile Curve

Classification Reflow Profile (JEDEC J-STD-020C)



SMD / RJ-Connector unshielded Version	
Part No.:	T91A12001 -
Customer:	

DRW:	Jason	CHKD	Wilson	MATL:	Wilson	TOLERANCE	Mason	DATE	17.08.2020
APPD:	Schumi			FINISH	Jamy		Sheet No.		5 from 5