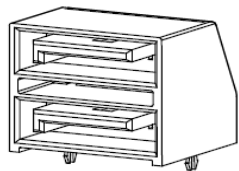


EDCON-COMPONENTS



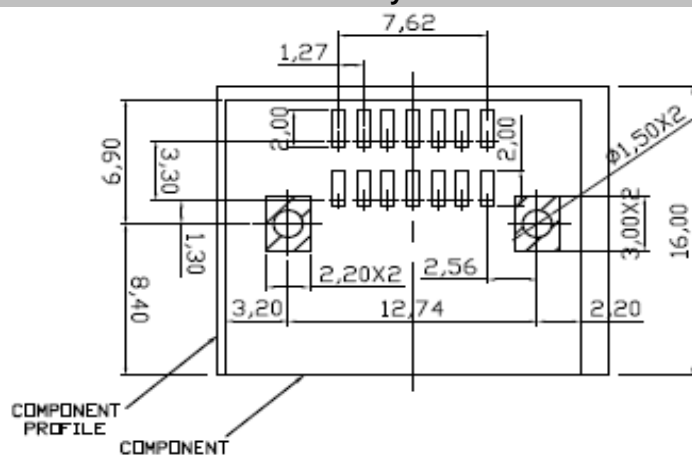
Specifications

Material:
 Housing: LCP UL94 V-0
 Color of Housing: Black
 Contact Material: Brass T=0,25mm
 Hook: Brass T=0,30mm
 Contact Plating: Gold Flash over Nickel into Contact Area
 Solder Pin: Tin plated on solder Tail.

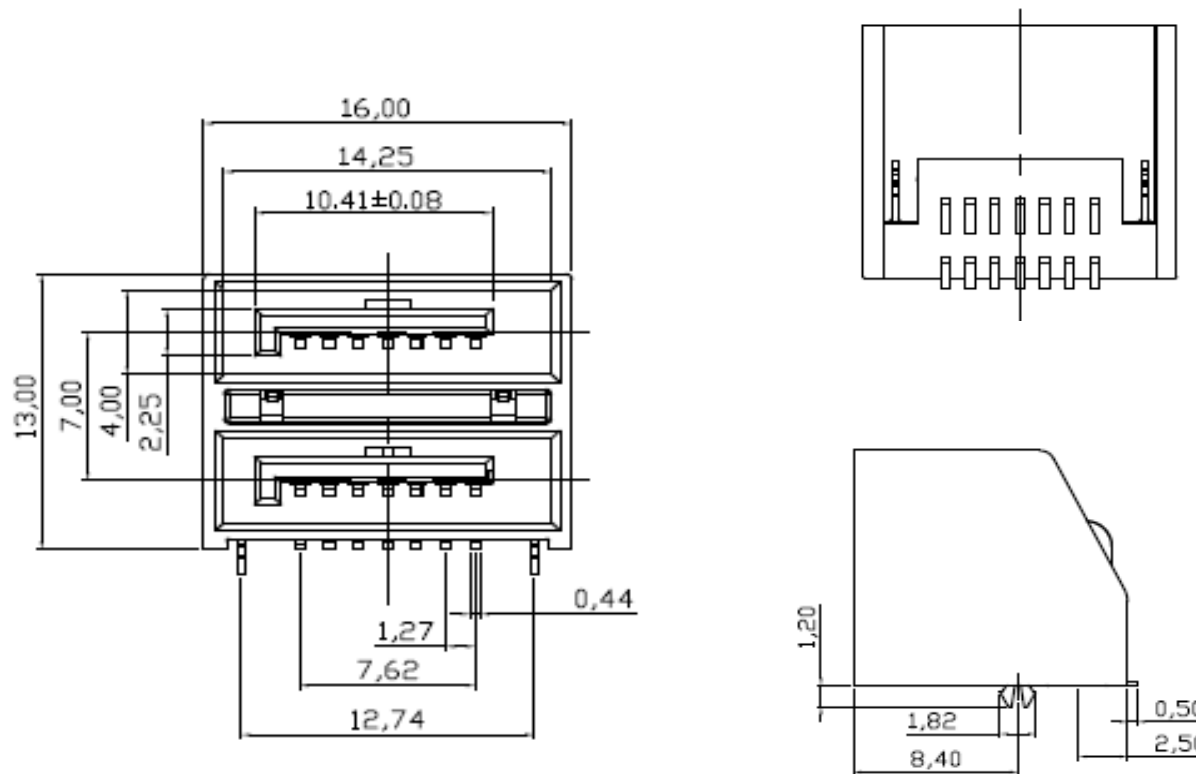
Electrical Specifications

Operating Voltage: 100MAC max.
 Current Rating: 1,5A per contact
 Contact Resistance: 30 mΩ max.
 Insulation Resistance: 100M Ω min.
 Withstanding Voltage: 500VAC
 Operating Temperature: -55°C ~ +125°C

PCB-Layout



Drawing (dimensions all into mm)



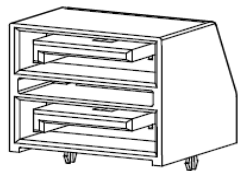
PCB Hole Tolerance: ± 0,05mm
 PCB Hole Layout Component Side View

**SMT Dual-Port SATA Connector
 2x7Pos.**

Part No.: **T77065**

DRW:	Jason	CHKD	Wilson	MATL:	Wilson	TOLERANCE	Mason	DATE	14.09.2015
APPD:	Schumi			FINISH	Jamy		Sheet No.	1 from 3	Customer:

EDCON-COMPONENTS



Ordering Informations

Serie	Number of Pos.	Contact Plating	Body Color	Special function	ROHS	Packing				
-------	----------------	-----------------	------------	------------------	------	---------	--	--	--	--

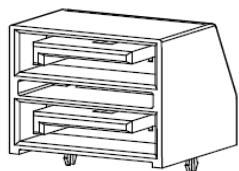
T77065	-	14	GF	BK	0	R	TU			
---------------	---	-----------	-----------	-----------	----------	----------	-----------	--	--	--

14= 2x7	GF= Gold Flash	BK= Black	0= No function	R= ROHS conform	TU= TUBE Packing				
	Gx= on request	other color on request		N= NON ROHS	TY= Tray Packing				

**SMT Dual-Port SATA Connector
2x7Pos.**

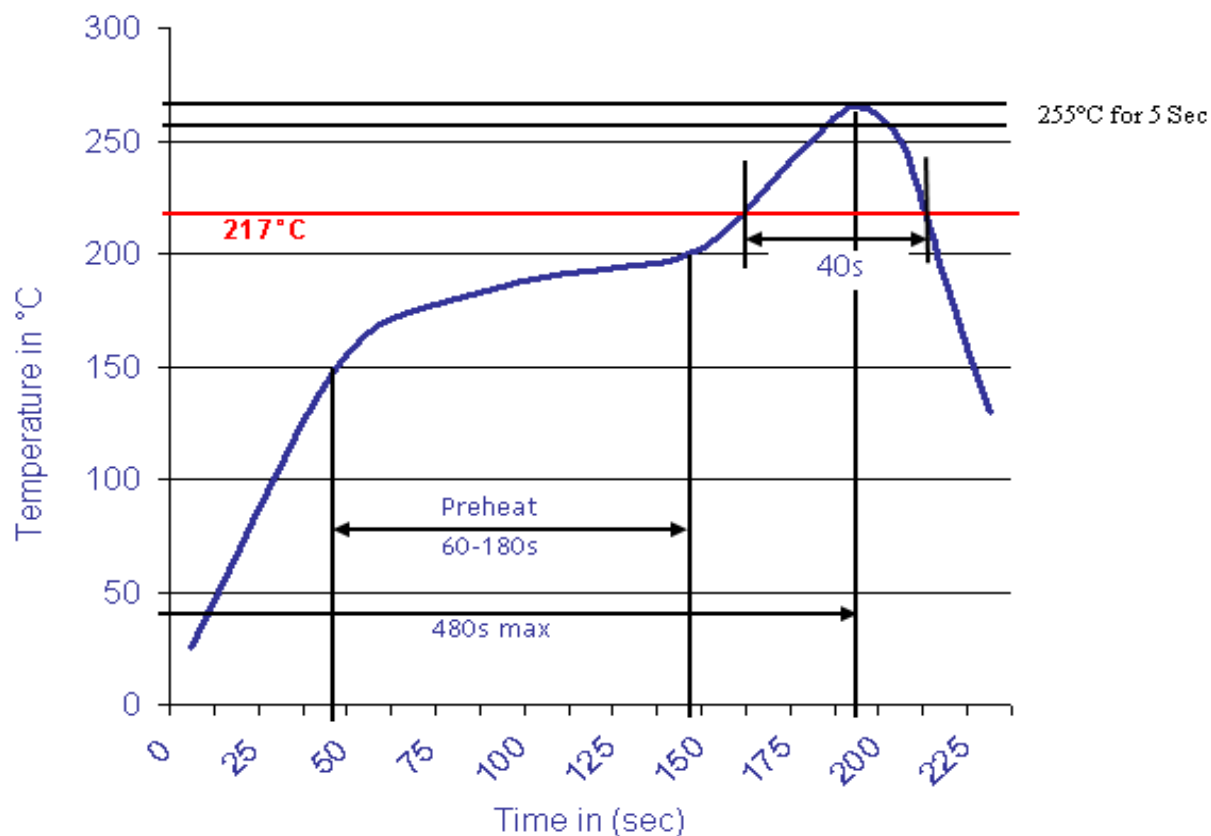
Part No.: **T77065**

DRW:	Jason	CHKD	Wilson	MATL:	Wilson	TOLERANCE	Mason	DATE	14.09.2015	Customer:
APPD:	Schumi			FINISH	Jamy		Sheet No.	2 from 3		



Soldering Profile

Classification Reflow Profile (JEDEC J-STD-020C)



SMT Dual-Port SATA Connector	
2x7Pos.	
Part No.:	T77065
Customer:	

DRW:	Jason	CHKD	Wilson	MATL:	Wilson	TOLERANCE	Mason	DATE	14.09.2015
APPD:	Schumi			FINISH	Jamy		Sheet No.	3 from 3	