

# EDCON-COMPONENTS

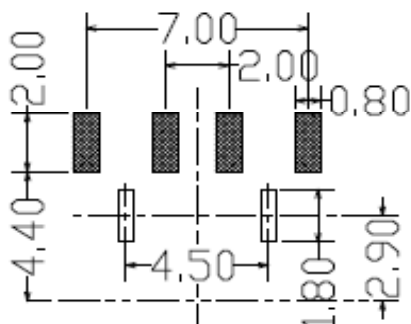


## Specifications

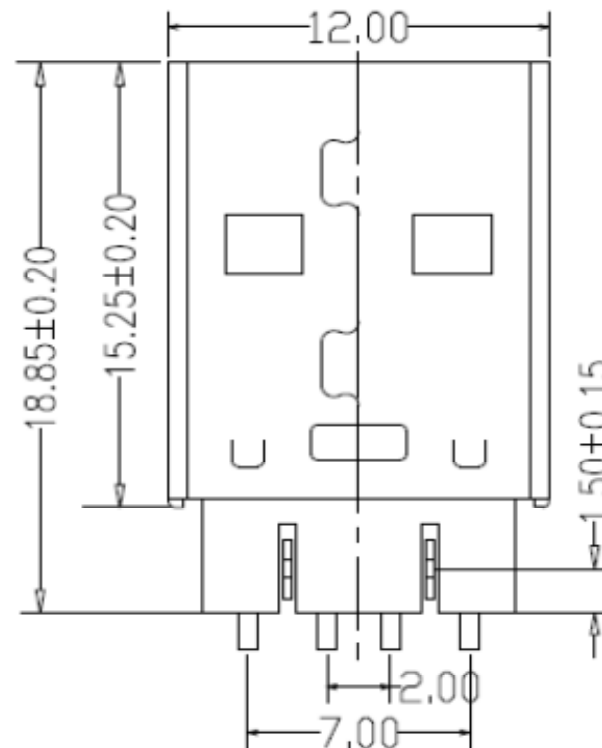
Current Rating: 1,5A max.  
 Operating Temperature: . +40°C ~ + 85°C  
 Contact Resistance: 30m Ohm  
 Withstanding Voltage: 500V AC  
 Insulation Resistance: 1000 Megaohm Min.

Material Housing: Temperature Thermoplastic  
 PBT UL94V-0  
 Contact: Copper Alloy Gold Plated on  
 Contact Area  
 Contact Plating: Like Ordering Code  
 Shell: B: Brass  
 I: Iron  
 S: Stainless Steel

## PCB Layout



## Drawing ( dimensions all into mm)



**USB-A Connector Female  
 R/A Sink with Fork SMT**

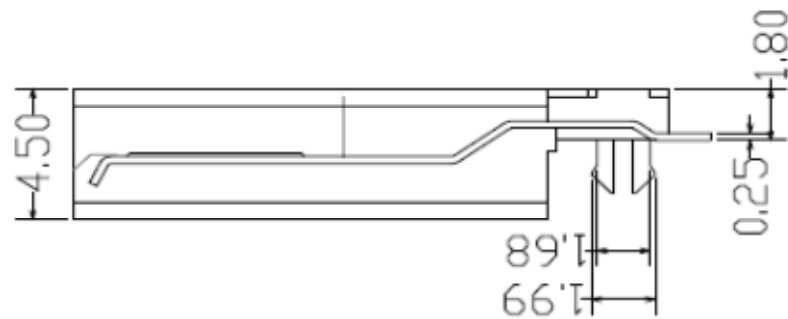
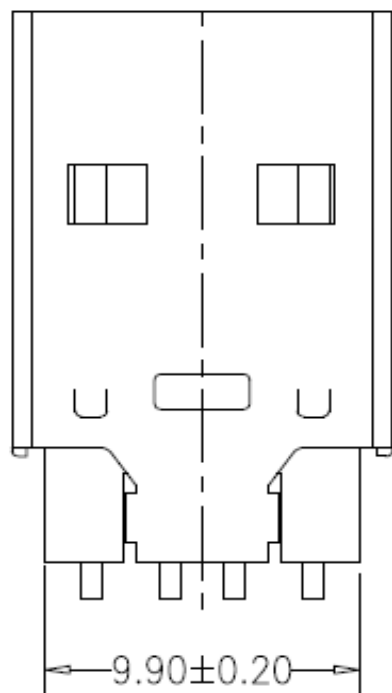
Part No.: **T65295-**

DRW:	Jason	CHKD	Wilson	MATL:	Wilson	TOLERANCE	Mason	DATE	29.05.2017
APPD:	Schumi			FINISH	Jamy		Sheet No.	1 from 3	Customer:

[www.edcon-components.com](http://www.edcon-components.com)

email: [info@edcon-components.com](mailto:info@edcon-components.com)

# EDCON-COMPONENTS



**USB-A Connector Female  
R/A Sink with Fork SMT**

Part No.: **T65295-**

Customer:

DRW:	Jason	CHKD	Wilson	MATL:	Wilson	TOLERANCE	Mason	DATE	29.05.2017
APPD:	Schumi			FINISH	Jamy		Sheet No.	2 from 3	

# EDCON-COMPONENTS



## Ordering Informations

Serie	Contact plating	Body color	Shell Material	Insulator Material	Contact Material	ROHS	Packing			
<b>T65295-</b>	<b>GF</b>	<b>WH</b>	<b>B</b>	<b>P</b>	<b>B</b>	<b>R</b>	<b>BU</b>			

<b>GF=</b> Gold Flash		<b>B=</b> Brass	<b>P=</b> PBT + 30% GF	<b>B=</b> Brass	<b>R=</b> ROHS conform	<b>BU=</b> Bulk-Ware
<b>3=</b> 3µ Gold	<b>BK=</b> Black	<b>I=</b> Iron	<b>L=</b> LCP	<b>P=</b> Phosphor Copper	<b>N=</b> Non ROHS	<b>TY=</b> Tray Packing
<b>5=</b> 5µ Gold	<b>WH=</b> White	<b>S=</b> Stainless Steel				<b>IV=</b> Individual Packing
<b>10=</b> 10µ Gold						
<b>15=</b> 15µ Gold						
<b>30=</b> 30µ Gold						

**USB-A Connector Female  
R/A Sink with Fork SMT**

Part No.: **T65295-**

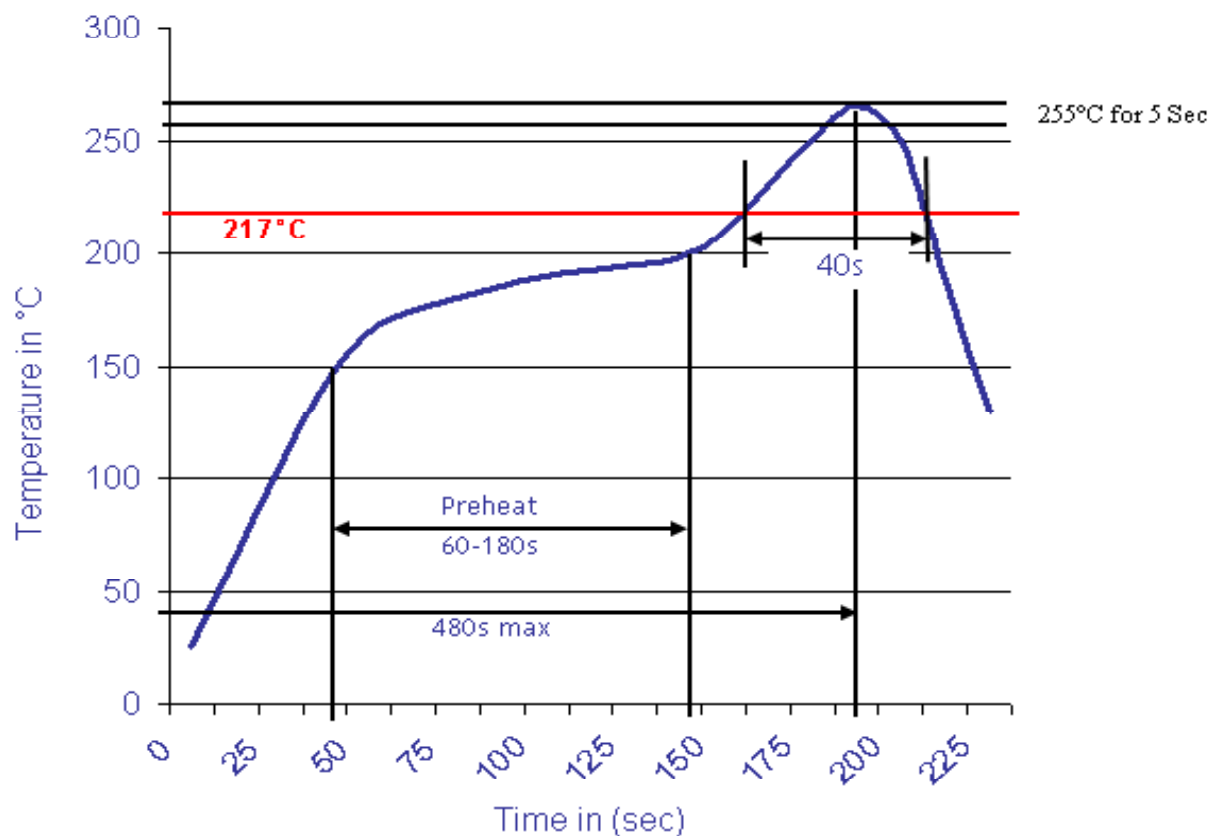
DRW:	Jason	CHKD	Wilson	MATL:	Wilson	TOLERANCE	Mason	DATE	29.05.2017
APPD:	Schumi			FINISH	Jamy		Sheet No.		2 from 3

Customer:



Soldering Profile Curve

Classification Reflow Profile (JEDEC J-STD-020C)



<b>USB-A Connector Female R/A Sink with Fork SMT</b>	
Part No.:	<b>T65295-</b>
Customer:	

DRW:	Jason	CHKD	Wilson	MATL:	Wilson	TOLERANCE	Mason	DATE	29.05.2017
APPD:	Schumi			FINISH	Jamy		Sheet No.	3 from 3	