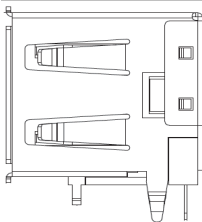


EDCON-COMPONENTS

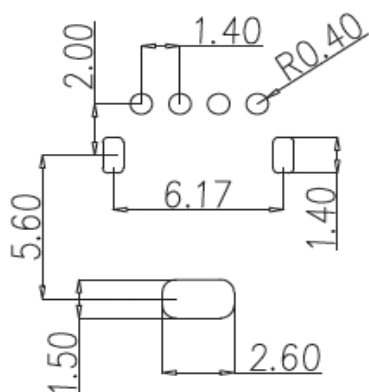


Specifications

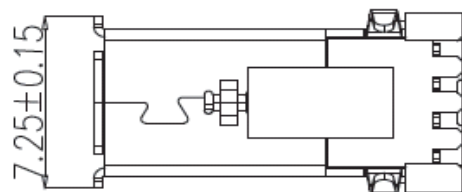
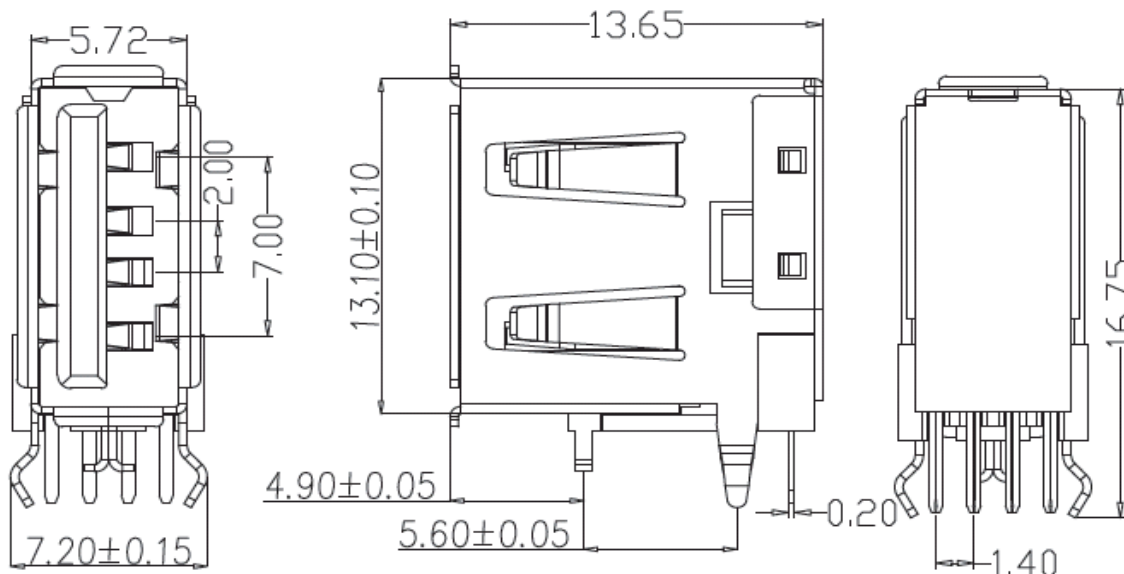
Current Rating: 1,5A max.
 Operating Temperature: . +40°C ~ + 85°C
 Contact Resistance: 30m Ohm
 Withstanding Voltage: 500V AC
 Insulation Resistance: 1000 Megaohm Min.

Material Housing: Temperature Thermoplastic
 PBT UL94V-0
 Contact: Copper Alloy Gold Plated on
 Contact Area
 Contact Plating: Like Ordering Code
 Shell: B: Brass
 I: Iron
 S: Stainless Steel

PCB Layout



Drawing (dimensions all into mm)

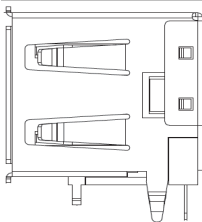


**USB-A Connector Female
 Type R/A Upright Type**

Part No.: **T65294-**

DRW:	Jason	CHKD	Wilson	MATL:	Wilson	TOLERANCE	Mason	DATE	07.05.2015	Customer:
APPD:	Schumi			FINISH	Jamy		Sheet No.	1 from 3		

EDCON-COMPONENTS



Ordering Informations

Serie	Contact plating	Body color	Shell Material	Insulator Material	Contact Material	ROHS	Packing			
T65294-	GF	WH	1	P	B	R	BU			

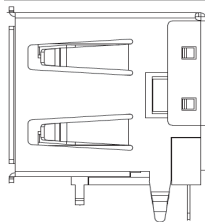
GF= Gold Flash		B= Brass	P= PBT + 30% GF	B= Brass	R= ROHS conform	BU= Bulk-Ware
3= 3µ Gold	BK= Black	I= Iron	L= LCP	P= Phosphor Copper	N= Non ROHS	TY= Tray Packing
5= 5µ Gold	WH= White	S= Stainless Steel				IV= Individual Packing
10= 10µ Gold						
15= 15µ Gold						
30= 30µ Gold						

**USB-A Connector Female
Type R/A Upright Type**

Part No.: **T65294-**

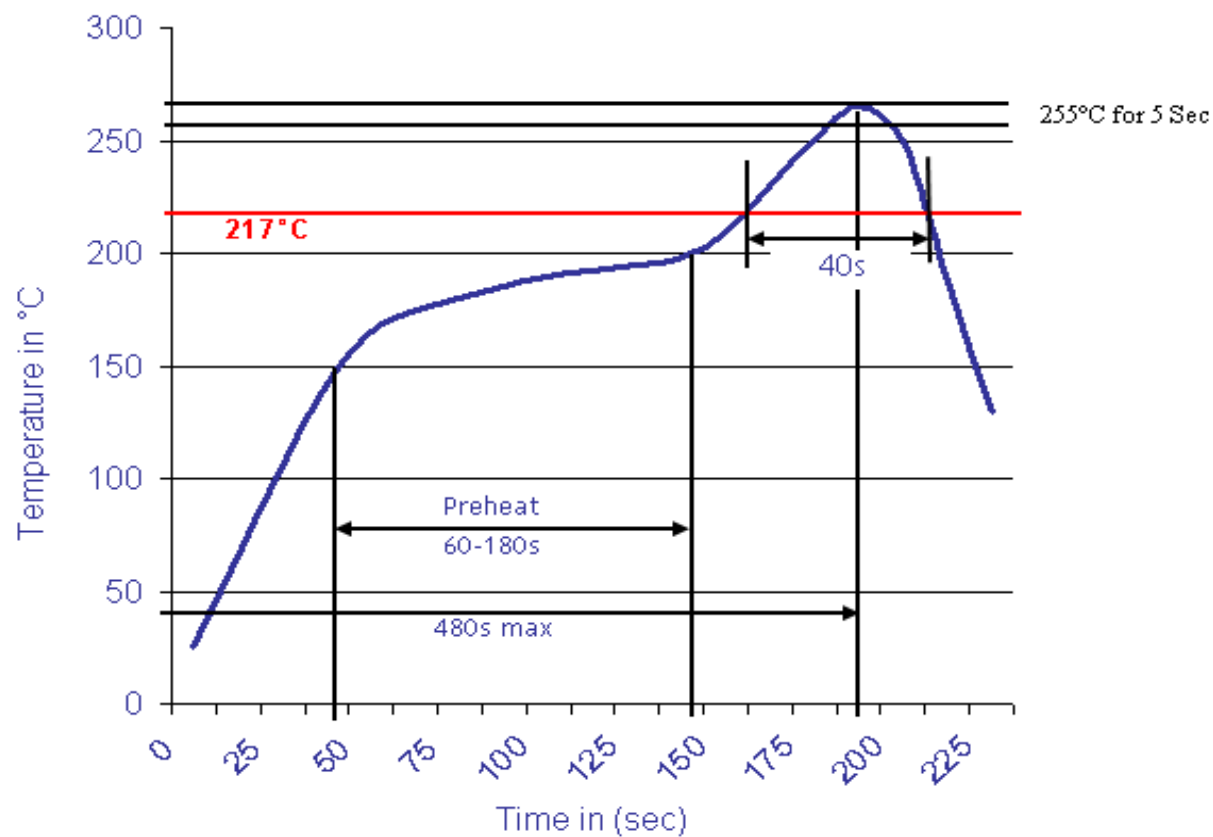
DRW:	Jason	CHKD	Wilson	MATL:	Wilson	TOLERANCE	Mason	DATE	07.05.2015
APPD:	Schumi			FINISH	Jamy		Sheet No.		2 from 3

Customer:



Soldering Profile Curve

Classification Reflow Profile (JEDEC J-STD-020C)



USB-A Connector Female Type R/A Upright Type	
Part No.:	T65294-
Customer:	

DRW:	Jason	CHKD	Wilson	MATL:	Wilson	TOLERANCE	Mason	DATE	07.05.2015
APPD:	Schumi			FINISH	Jamy		Sheet No.	3 from 3	