

EDCON-COMPONENTS



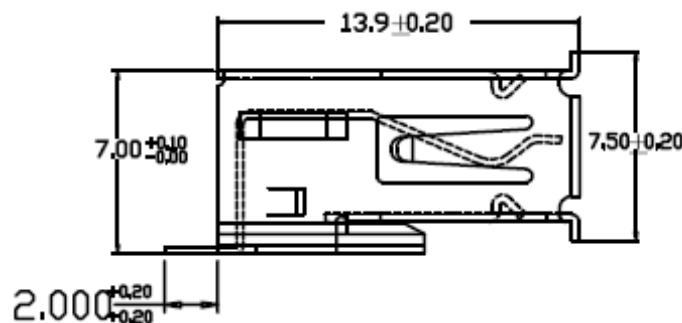
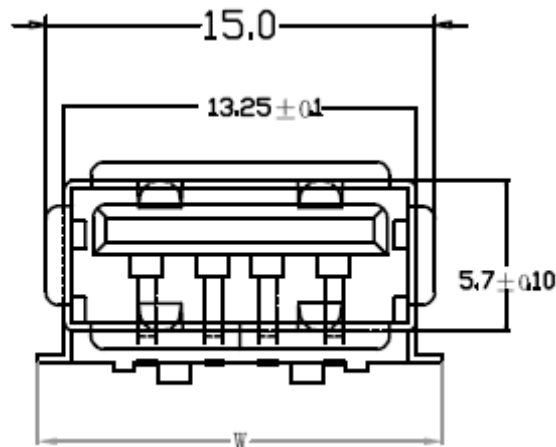
Specifications

Voltage Rating: 100 VAC
 Current Rating: 1,5A max.
 Operating Temperature: - 30°C to + 85°C
 Contact Resistance: 30m Ohm max.
 Withstanding Voltage: 500VAC min.
 Insulation Resistance: 1000M Ohm min.
 Contact Thickness: 0,25mm

Material:

Insulator : look order code
 Color: look order code
 Contact Material: look order code
 Contact Type: Stamped
 Contact Plating: look order code
 Shielding: look order code
 Lifetime: 1500 cycles

Drawing (dimensions all into mm)



**SMT USB-A Connector Type w.
Post**

Part No.: **T65049**

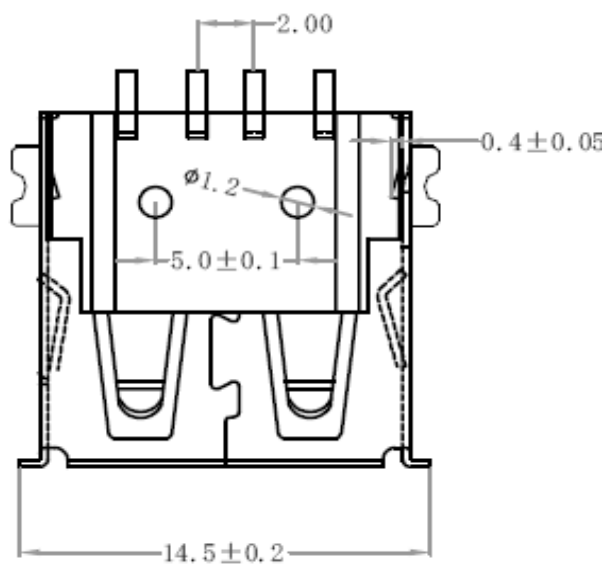
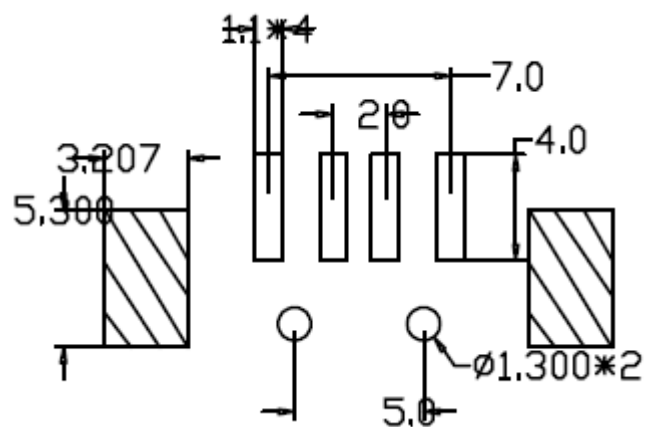
Customer:

DRW:	Jason	CHKD	Wilson	MATL:	Wilson	TOLERANCE	Mason	DATE	18.05.2016
APPD:	Schumi			FINISH	Jamy		Sheet No.	1 from 4	

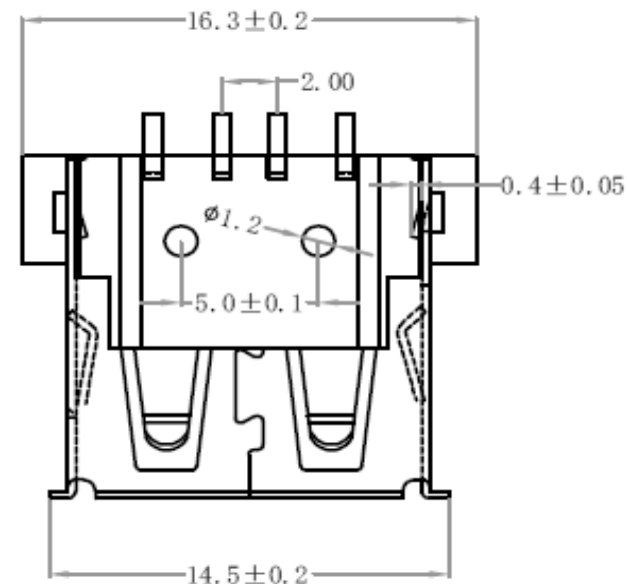
EDCON-COMPONENTS



PCB Layout



Type 1



Type 2

SMT USB-A Connector Type w. Post

Part No.: **T65049**

Customer:

DRW:	Jason	CHKD	Wilson	MATL:	Wilson	TOLERANCE	Mason	DATE	18.05.2016
APPD:	Schumi			FINISH	Jamy		Sheet No.	2 from 4	

EDCON-COMPONENTS



Ordering Informations

Serie	Color Inside	Shell Material	Insulator Material	Contact Material	Contact Plating	Latch Type	Packing	Packing		
-------	--------------	----------------	--------------------	------------------	-----------------	------------	---------	---------	--	--

T65049	-	BK	B	P	B	G0	1	R	BU	
---------------	---	-----------	----------	----------	----------	-----------	----------	----------	-----------	--

BK= Black Color	B= Brass	P= PBT + 30% GF	B= Brass	G0= Gold Flash (Standard) G1= 3μ Gold G1= 5μ Gold G1= 10μ Gold G1= 15μ Gold G1= 30μ Gold	Look Drawing	R= ROHS conform	BU= Bulk Ware
WH= White Color	I= Iron	L= LCP	P= Phosphor Copper			N= NON ROHS conform	TY= Tray Packing
	S= Stainless Steel						TR= Tape / Reel w. Pic and Place Foil
							IV= Individual Packing

SMT USB-A Connector Type w. Post

Part No.: **T65049**

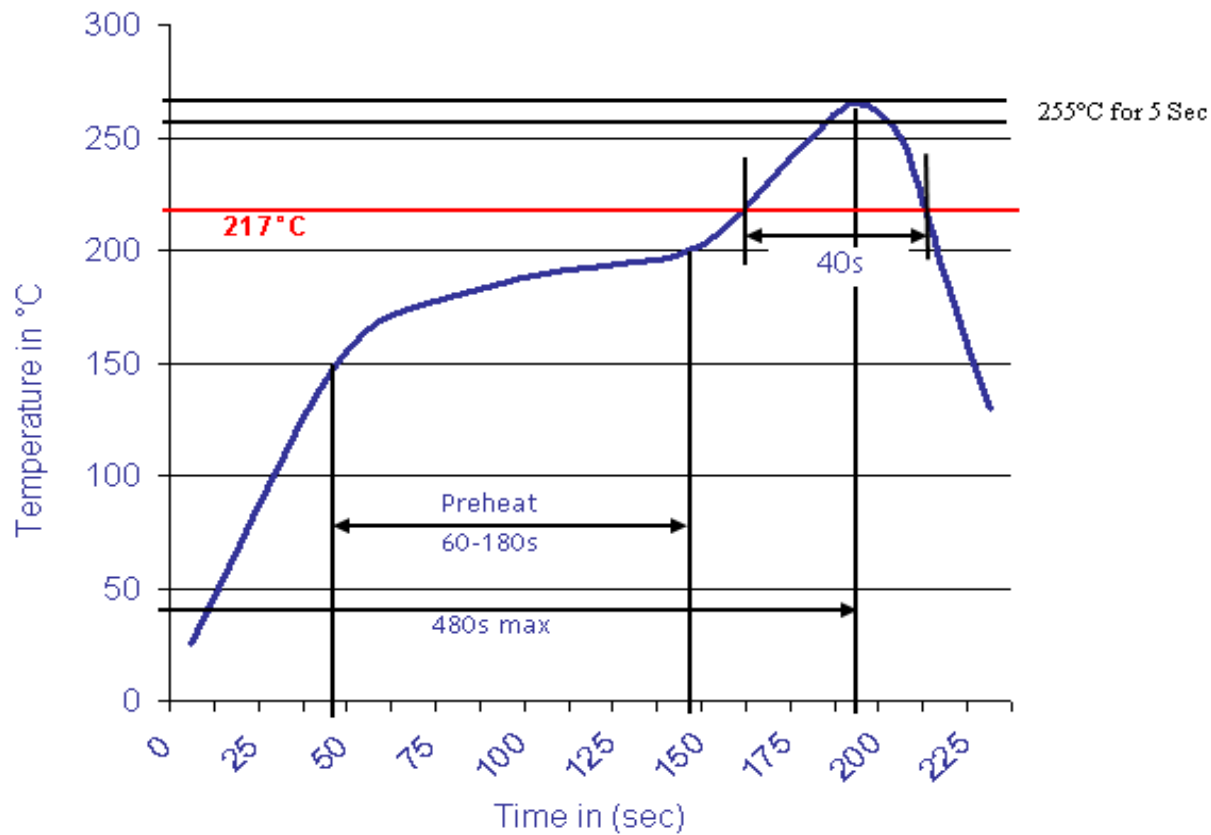
DRW:	Jason	CHKD	Wilson	MATL:	Wilson	TOLERANCE	Mason	DATE	18.05.2016
APPD:	Schumi			FINISH	Jamy		Sheet No.		3 from 4

Customer:



Soldering Profile Curve

Classification Reflow Profile (JEDEC J-STD-020C)



SMT USB-A Connector	
Type w. Post	
Part No.:	T65049
Customer:	

DRW:	Jason	CHKD	Wilson	MATL:	Wilson	TOLERANCE	Mason	DATE	18.05.2016
APPD:	Schumi			FINISH	Jamy		Sheet No.	4 from 4	