

EDCON-COMPONENTS

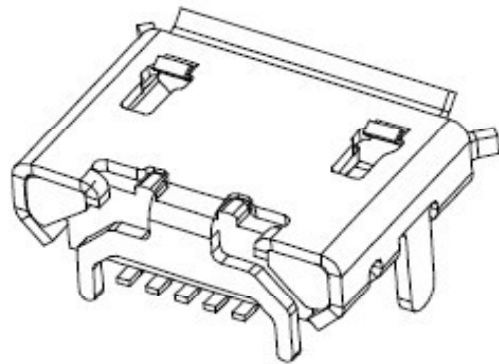


Specifications

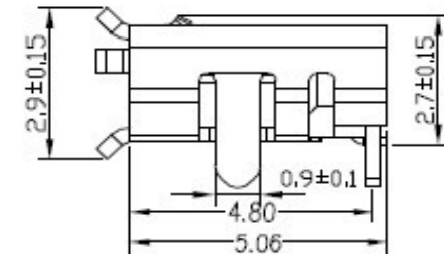
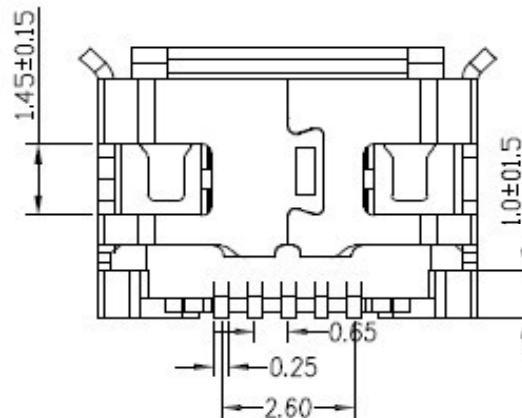
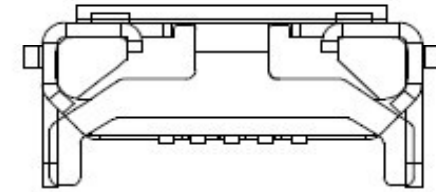
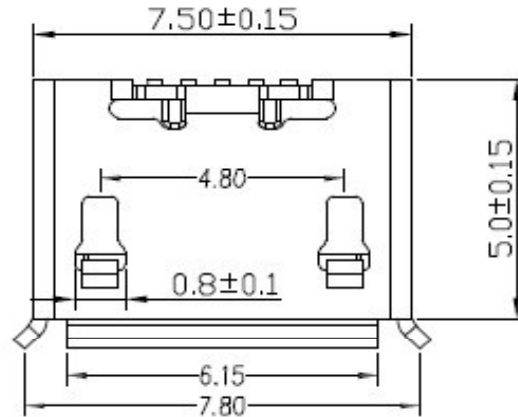
Voltage Rating:	100 VAC
Current Rating:	1,0A max.
Operating Temperature:	.- 30°C to + 80°C
Contact Resistance:	50m Ohm max.
Withstanding Voltage:	500VAC min.
Insulation Resistance:	>100M Ohm min.
Contact Thickness:	0,15mm

Material:

Insulator :	look order code
Color:	look order code
Contact Material:	look order code
Contact Type:	Stamped
Contact Plating:	look order code
Shielding:	look order code
Lifetime:	10000 cycles
Mating Force:	35N max.



Drawing (dimensions all into mm)



**SMT Micro USB Connector
Type B Receptacle w. Flange**

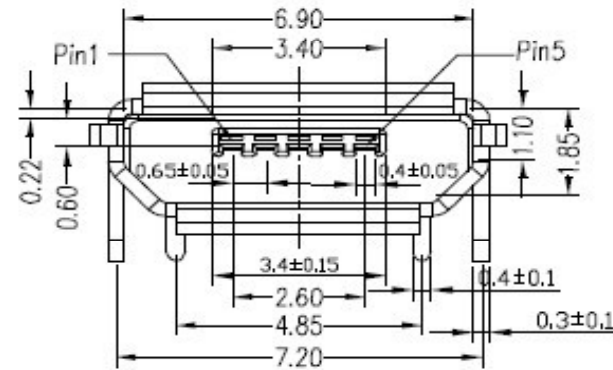
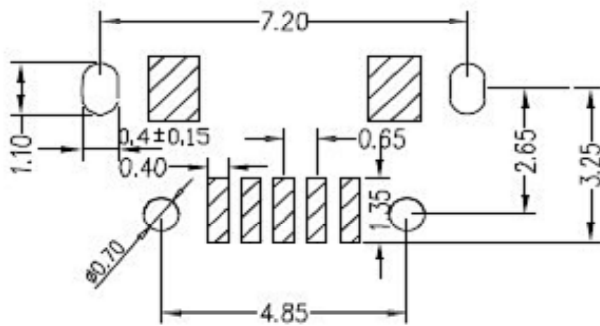
Part No.: **T64167**

Customer:

DRW:	Jason	CHKD	Wilson	MATL:	Wilson	TOLERANCE	Mason	DATE	28.02.2021
APPD:	Schumi			FINISH	Jamy		Sheet No.		1 from 4



PCB Layout



SMT Micro USB Connector Type B Receptacle w. Flange	
Part No.:	T64167
Customer:	

DRW:	Jason	CHKD	Wilson	MATL:	Wilson	TOLERANCE	Mason	DATE	28.02.2021
APPD:	Schumi			FINISH	Jamy			Sheet No.	2 from 4

EDCON-COMPONENTS



Ordering Informations

Serie	Color Inside	Shell Material	Insulator Material	Contact Material	Contact Plating	Special function	Packing	Packing		
T64167	BK	C	L	P	G1	0	R	BU		

BK= Black Color				G0= Gold Flash (Standard)		R= ROHS conform	BU= Bulk Ware
		L= LCP	P= Phosphor Copper	G1= 3 μ Gold	0= No special function	N= NON ROHS conform	TY= Tray Packing
				G1= 5 μ Gold			TR= Tape / Reel w. Pic and Place Foil w. i need it
	C= Copper Alloy			G1= 10 μ Gold			IV= Individual Packing
				G1= 15 μ Gold			
				G1= 30 μ Gold			

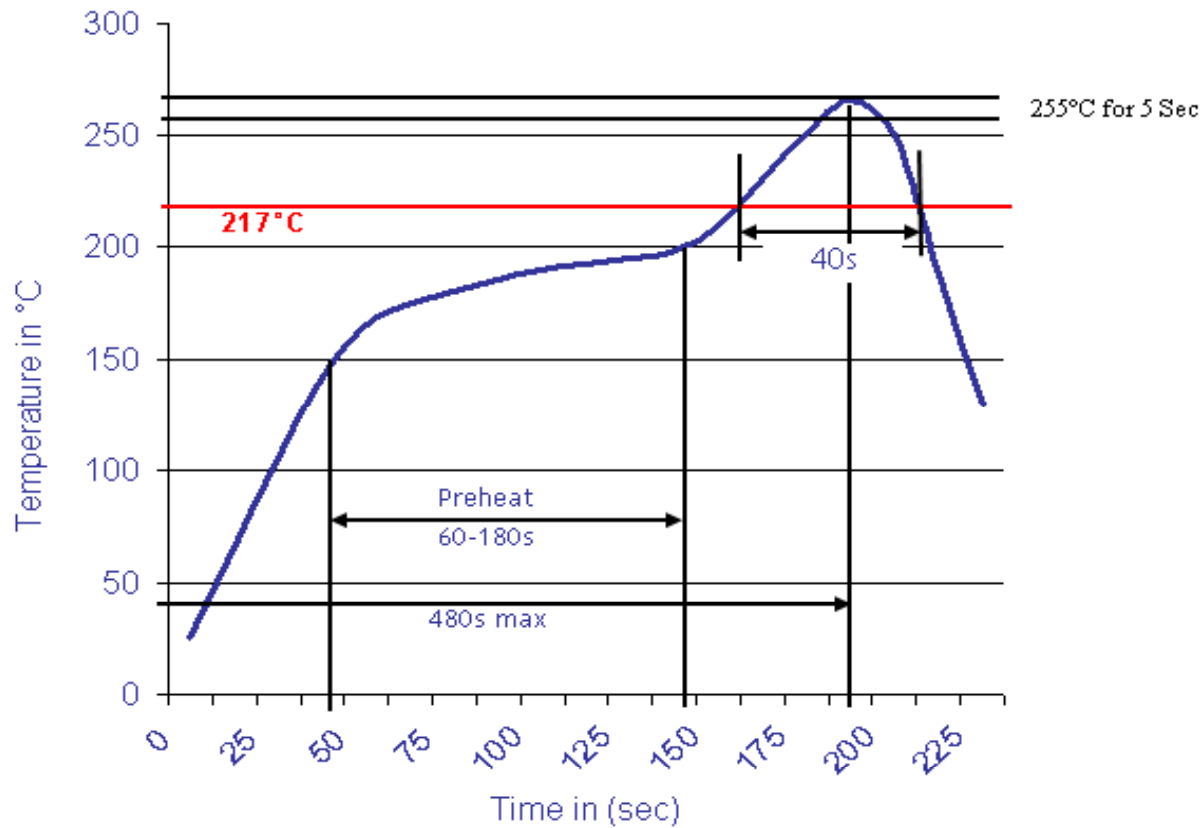
SMT Micro USB Connector Type B Receptacle w. Flange
Part No.: T64167
Customer:

DRW:	Jason	CHKD	Wilson	MATL:	Wilson	TOLERANCE	Mason	DATE	28.02.2021
APPD:	Schumi			FINISH	Jamy		Sheet No.		3 from 4



Soldering Profile Curve

Classification Reflow Profile (JEDEC J-STD-020C)



SMT Micro USB Connector Type B Receptacle w. Flange	
Part No.:	T64167
Customer:	

DRW:	Jason	CHKD	Wilson	MATL:	Wilson	TOLERANCE	Mason	DATE	28.02.2021
APPD:	Schumi			FINISH	Jamy		Sheet No.	4 from 4	