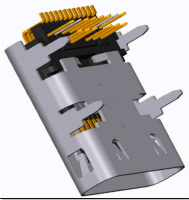


EDCON-COMPONENTS

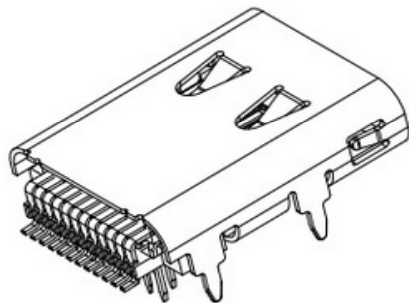


Contact

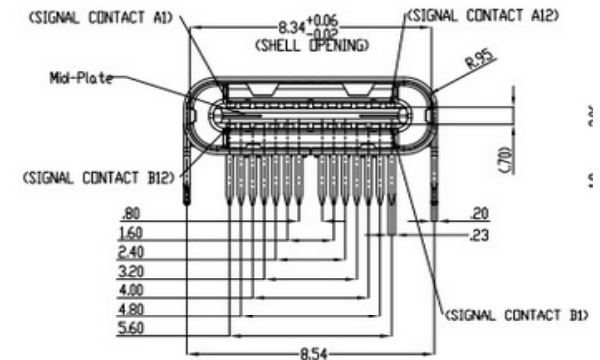
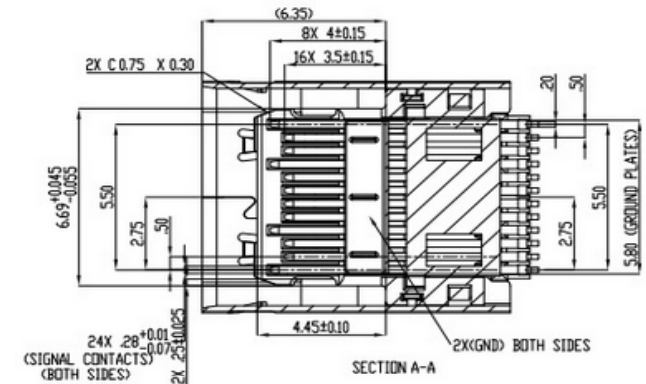
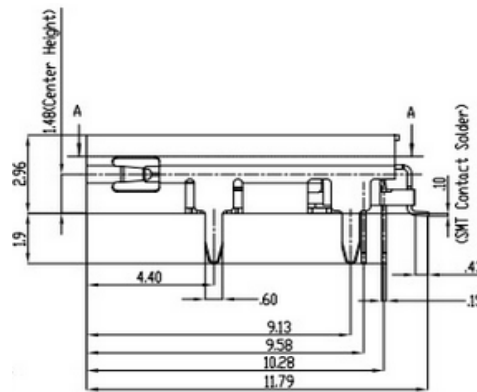
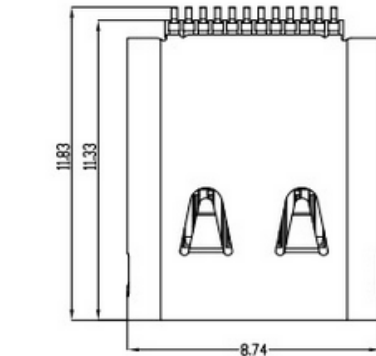


Specifications

Voltage Rating:	20 VAC
Current Rating:	5,0A max.
Operating Temperature:	- 40°C to + 105°C
Contact Resistance:	20m Ohm max.
Withstanding Voltage:	100VDC
Insulation Resistance:	>100 M Ohm min
Material Housing:	
Insulator :	Thermoplastic
Color:	Black
Contact Material:	Brass
Contact Type:	Stamped
Solder Tail Area:	100μ~200μ Tin (Lead-free)
Contact Plating:	Selective Gold plated 30μ under 40μ~80μ Nickel
Shell:	Stainless Steel
Lifetime:	10000 cycles



Drawing (dimensions all into mm)



PCB-Thickness = 1,6mm
Pin length A= 1,9mm

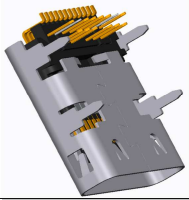
Tolerances unless otherwise specified (mm)

X	X.X	X.XX	X.XXX	Angle
±	±	±	±	±3°
DRW:	Jason	CHKD	Wilson	MATL:
APPD:	Schumi			FINISH

**SMT USB -C Connector 24Pin
THT/SMD**

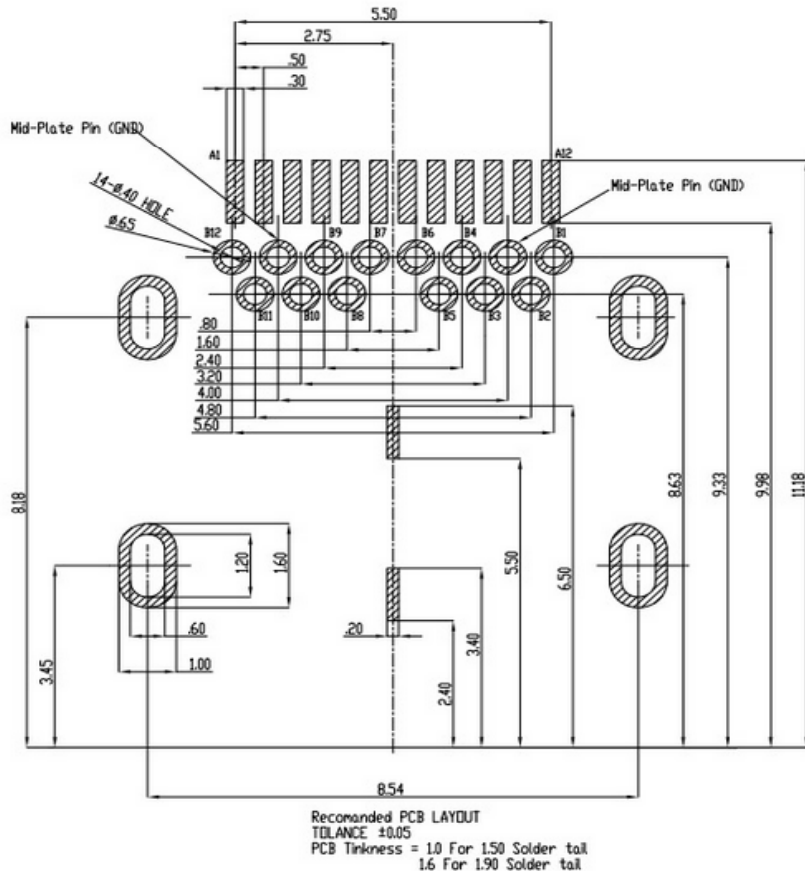
Part No.: **T64135**

Customer:



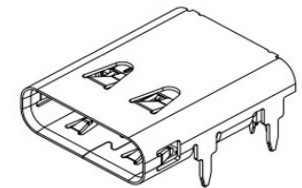
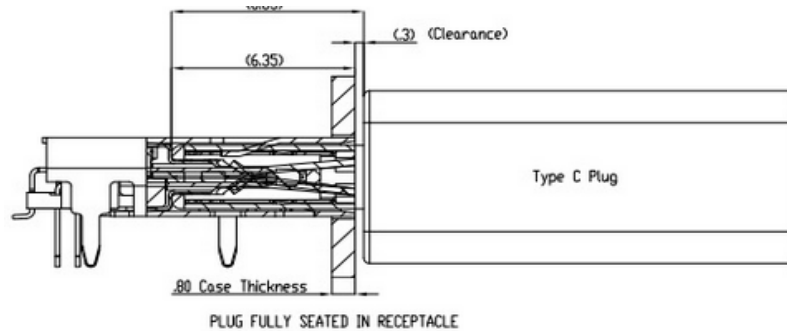
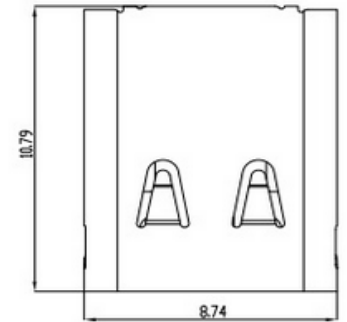
PCB-Layout (mm)

Technical Dimension (mm)



USB TYPE -C Pin Assignments

Pin Number	Signal Name	Pin Number	Signal Name
A1	GND	B12	GND
A2	SSTXp1	B11	SSRXp1
A3	SSTXn1	B10	SSRXn1
A4	VBUS	B9	VBUS
A5	CC1	B8	SBU2
A6	Dp1	B7	Dn2
A7	Dn1	B6	Dp2
A8	SBU1	B5	CC2
A9	VBUS	B4	VBUS
A10	SSRXn2	B3	SSTXn2
A11	SSRXp2	B2	SSTXp2
A12	GND	B1	GND



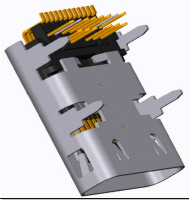
**SMT USB -C Connector 24Pin
THT/SMD**

Part No.: **T64135**

Customer:

DRW:	Jason	CHKD	Wilson	MATL:	Wilson	TOLERANCE	Mason	DATE	15.01.2022
APPD:	Schumi			FINISH	Jamy		Sheet No.		2 from 3

EDCON-COMPONENTS



Ordering Informations

Serie	No of Pos.	Contact Plating	Contact Material	Body Colour	Shell Material	Insulator Material	Special function	ROHS	Packing
T64135	24	G0	BR	BK	ST	PB	N	R	TR

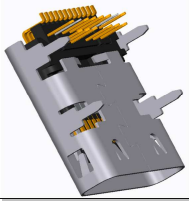
24= No of Contacts	G0= Gold Plating like Description	BR= Brass	BK= Black	SS= Stainless Steel	PB= PBT + 30GF	N= No function	R= RoHS Conform	BU= Bulk-Ware
					LC= LCP			TY= Tray Packing
								TR= Tape Reel Packing

**SMT USB -C Connector 24Pin
THT/SMD**

Part No.: **T64135**

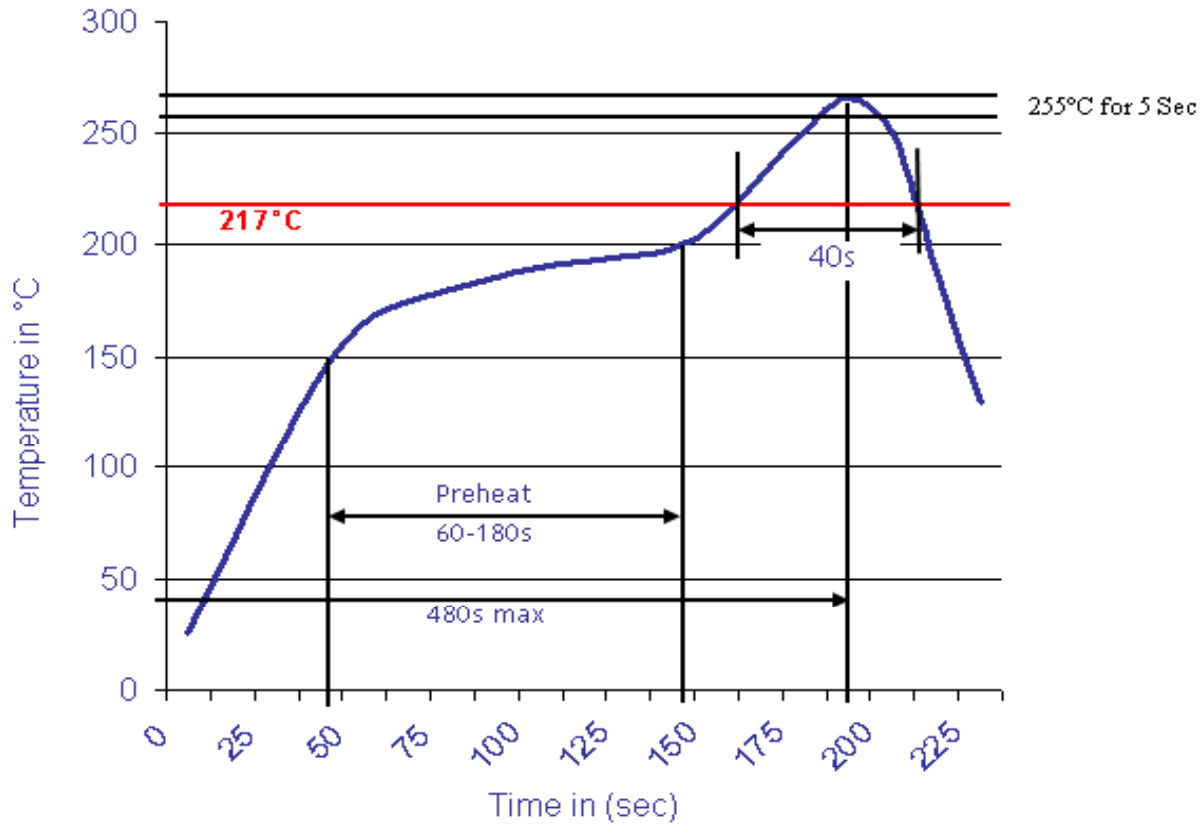
DRW:	Jason	CHKD	Wilson	MATL:	Wilson	TOLERANCE	Mason	DATE	15.01.2022
APPD:	Schumi			FINISH	Jamy		Sheet No.		2 from 3

Customer:



Soldering Profile Curve

Classification Reflow Profile (JEDEC J-STD-020C)



SMT USB -C Connector	
24Pin THT/SMD	
Part No.:	T64135
Customer:	

DRW:	Jason	CHKD	Wilson	MATL:	Wilson	TOLERANCE	Mason	DATE	15.01.2022
APPD:	Schumi			FINISH	Jamy		Sheet No.	3 from 3	