

# EDCON-COMPONENTS

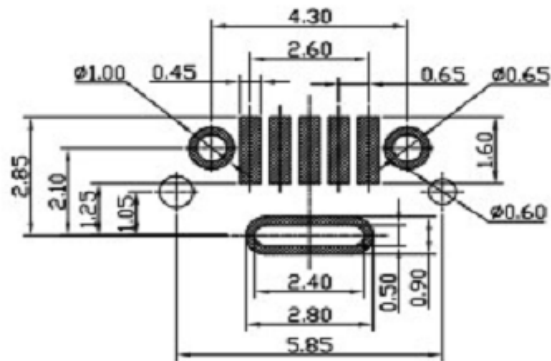


## Specifications

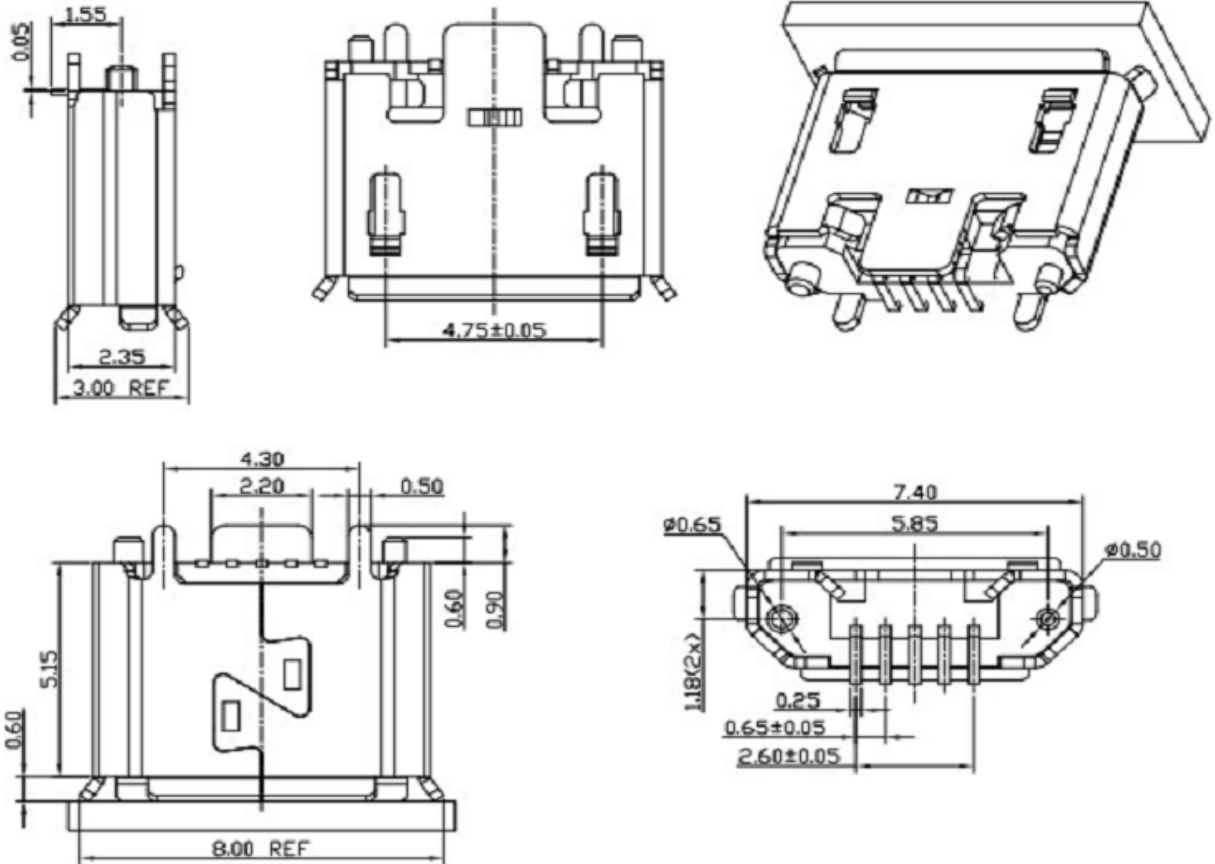
Voltage Rating: 30 VAC  
 Current Rating: 1,0A max.  
 Operating Temperature: - 30°C to + 80°C  
 Contact Resistance: 30m Ohm max.  
 Withstanding Voltage: 750VAC min.  
 Insulation Resistance: >100 M Ohm

Material Housing: PBT  
 Insulator : Black  
 Color: Black  
 Contact Material: Copper Alloy  
 Contact Type: Stamped  
 Contact Plating: Selective Gold plated  
 Shielding: Brass Ni plated  
 Lifetime: 1500 cycles  
 Soldering Process: Wafer only

## PCB Layout



## Drawing ( dimensions all into mm)



Tolerances unless otherwise specified (mm)

X	X.X	X.XX	X.XXX	Angle
±	±	±	±	±3°
DRW:	Jason	CHKD	Wilson	MATL:
APPD:	Schumi		FINISH	Jamy
				DATE
				11.09.2019
			Sheet No.	1 from 3

**SMT Micro USB Connector  
Type B**

Part No.: **T64133**

Customer:

# EDCON-COMPONENTS



## Ordering Informations

Serie	No of Pos.	Contact Plating	Contact Material	Body Colour	Shell Material	Insulator Material	Special function	ROHS	Packing
<b>T64133</b>	<b>05</b>	<b>GF</b>	<b>BR</b>	<b>BK</b>	<b>ST</b>	<b>PB</b>	<b>N</b>	<b>R</b>	<b>TY</b>

<b>05=</b> No of Contacts	<b>GF=</b> Gold Flash	<b>BR=</b> Brass	<b>BK=</b> Black	<b>SS=</b> Stainless Steel	<b>PB=</b> PBT + 30GF	<b>N=</b> No function	<b>R=</b> RoHS Conform	<b>BU=</b> Bulk-Ware
	<b>TN=</b> Tinned	<b>PB=</b> Phosphor Bronze	<b>WH=</b> White	<b>BR=</b> Brass	<b>LC=</b> LCP			<b>TY=</b> Tray Packing
			<b>IR=</b> Iron					<b>TR=</b> Tape Reel Packing

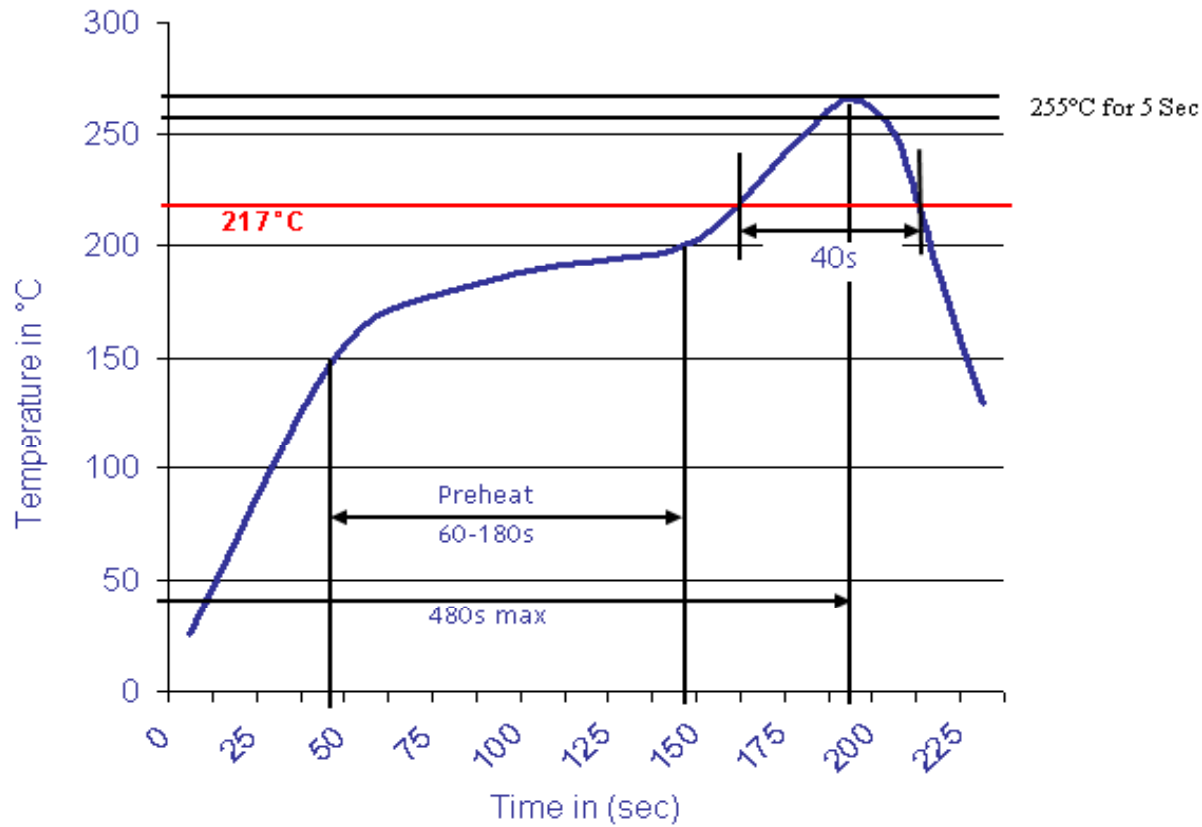
<b>SMT Micro USB Connector Type B</b>	
Part No.:	<b>T64133</b>
Customer:	

DRW:	Jason	CHKD	Wilson	MATL:	Wilson	TOLERANCE	Mason	DATE	11.09.2019
APPD:	Schumi			FINISH	Jamy		Sheet No.		2 from 3



Soldering Profile Curve

Classification Reflow Profile (JEDEC J-STD-020C)



**SMT Micro USB Connector  
Type B**

Part No.: **T64133**

Customer:

DRW:	Jason	CHKD	Wilson	MATL:	Wilson	TOLERANCE	Mason	DATE	11.09.2019
APPD:	Schumi			FINISH	Jamy		Sheet No.	3 from 3	