

# EDCON-COMPONENTS



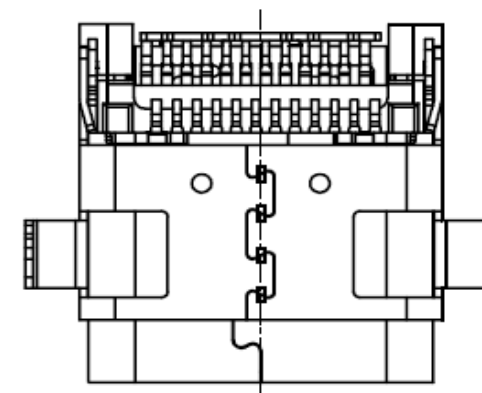
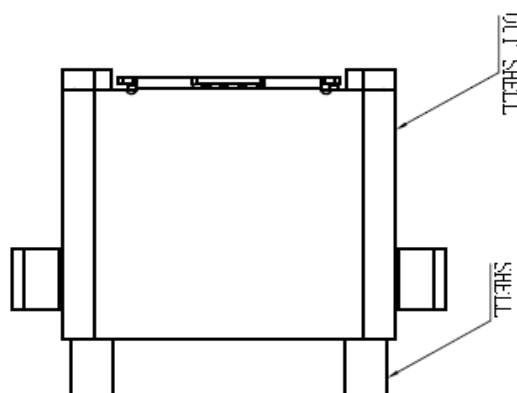
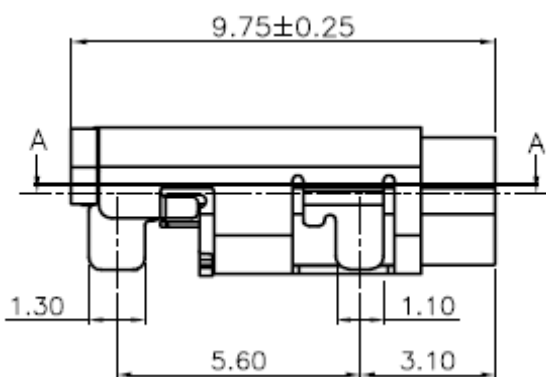
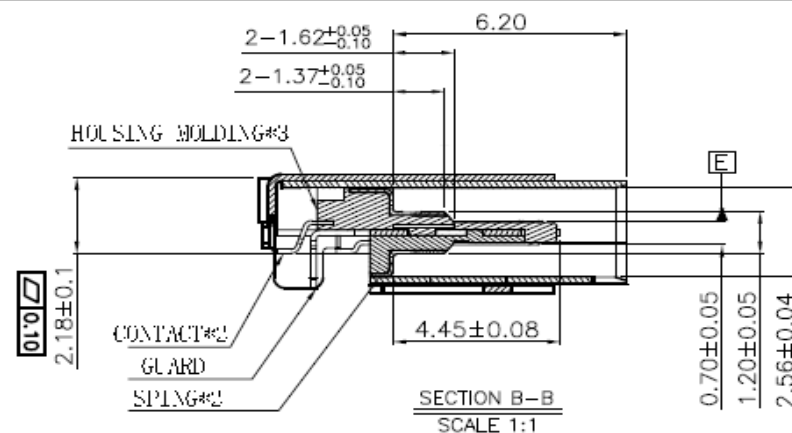
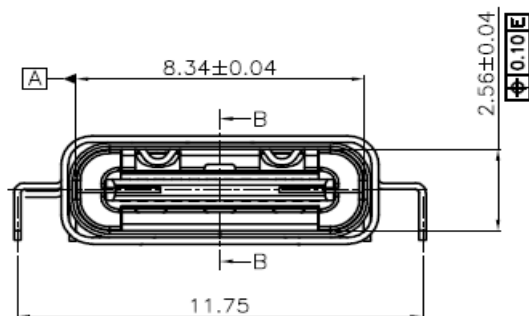
## Specifications

Voltage Rating: 30 VAC  
 Current Rating: 3,0A  
 Operating Temperature: -55°C to + 85°C  
 Contact Resistance: 20m Ohm max.  
 Withstanding Voltage: 100VAC min.  
 Insulation Resistance: >100M Ohm min.  
 Contact Thickness: 0,12mm

### Material:

Insulator : look order code  
 Color: look order code  
 Contact Material: look order code  
 Contact Type: Stamped  
 Contact Plating: look order code  
 Shielding: look order code  
 Lifetime: 10000 cycles min.  
 Force: 5~20N Max.

## Drawing ( dimensions all into mm)



**SMT USB 3.1 C-Type Receptacle**

Part No.: **T64131**

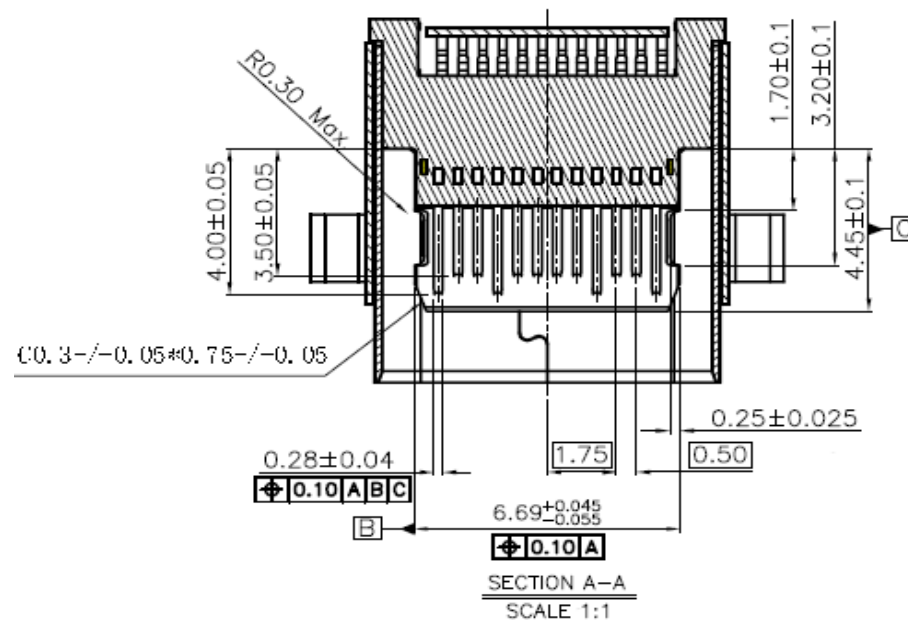
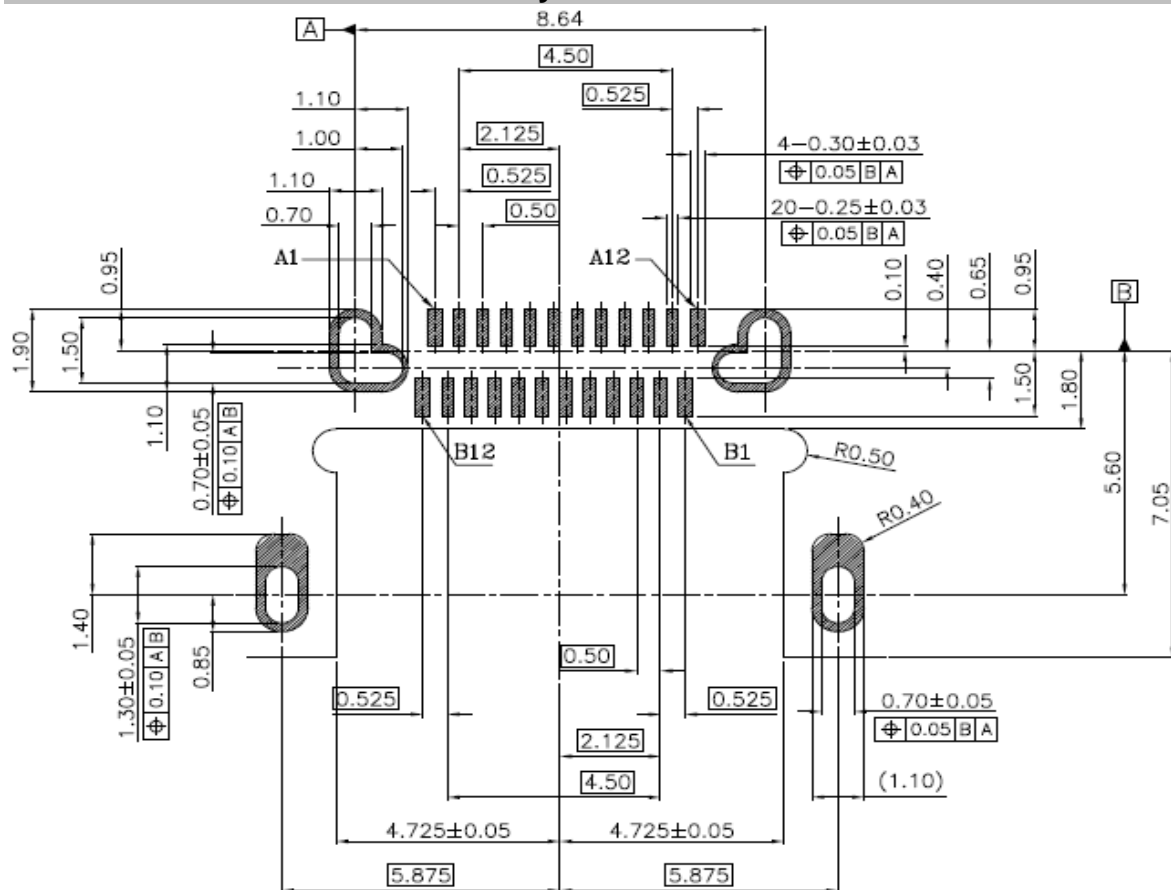
Customer:

DRW:	Jason	CHKD	Wilson	MATL:	Wilson	TOLERANCE	Mason	DATE	02.09.2015
APPD:	Schumi			FINISH	Jamy		Sheet No.	1 from 5	

# EDCON-COMPONENTS



## PCB-Layout



RECOMMEND PCB LAYOUT  
(THICKNESS: 1.00 OR 1.20mm)

**SMT USB 3.1 C-Type Receptacle**

Part No.: **T64131**

DRW:	Jason	CHKD	Wilson	MATL:	Wilson	TOLERANCE	Mason	DATE	02.09.2015
APPD:	Schumi			FINISH	Jamy		Sheet No.	2 from 5	Customer:

# EDCON-COMPONENTS



USB TYPE C FULL FEATURED RECEPTACLE INTERFACE PIN ASSIGNMENTS

Pin	Signal Name	Description	Pin	Signal Name	Description
A1	GM0	Ground return	B12	GM0	Ground return
A2	SSTxp1	Positive half of first super-speed TX differential pair	B11	SSRxp1	Positive half of first super-speed RX differential pair
A3	SSTxr1	Negative half of first super-speed TX differential pair	B10	SSRxr1	Negative half of first super-speed RX differential pair
A4	Vx.S	Bus Power	B9	Vx.S	Bus Power
A5	CC1	Configuration Channel	B8	SBC2	Sideband Use (SBU)
A6	Dp1	Positive half of the USB 2.0 differential pair Position 1	B7	Dn2	Negative half of the USB 2.0 differential pair Position 2
A7	Dr1	Negative half of the USB 2.0 differential pair Position 1	B6	Dp2	Positive half of the USB 2.0 differential pair Position 2
A8	SBU1	Sideband Use (SBU)	B5	CC2	Configuration Channel
A9	Vx.S	Bus Power	B4	Vx.S	Bus Power
A10	SSRxr2	Negative half of second super-speed RX differential pair	B3	SSTxr2	Negative half of second super-speed TX differential pair
A11	SSRxp2	Positive half of second super-speed RX differential pair	B2	SSTxp2	Positive half of second super-speed TX differential pair
A12	GM0	Ground return	B1	GM0	Ground return

<b>SMT USB 3.1 C-Type Receptacle</b>	
Part No.:	<b>T64131</b>
Customer:	

DRW:	Jason	CHKD	Wilson	MATL:	Wilson	TOLERANCE	Mason	DATE	02.09.2015
APPD:	Schumi			FINISH	Jamy		Sheet No.		3 from 5

# EDCON-COMPONENTS



## Ordering Informations

Serie	Color Inside	Shell Material	Insulator Material	Contact Material	Contact Plating	Special function	Packing	Packing		
<b>T64131</b>	<b>BK</b>	<b>B</b>	<b>P</b>	<b>B</b>	<b>G0</b>	<b>0</b>	<b>R</b>	<b>BU</b>		

<b>BK=</b> Black Color	<b>B=</b> Brass	<b>P=</b> PBT + 30% GF	<b>B=</b> Brass	<b>G0=</b> Gold Flash (Standard)	<b>0=</b> No Special function	<b>R=</b> ROHS conform	<b>BU=</b> Bulk Ware
<b>WH=</b> White Color	<b>I=</b> Iron	<b>L=</b> LCP	<b>P=</b> Phosphor Copper	<b>G1=</b> 3µ Gold		<b>N=</b> NON ROHS conform	<b>TY=</b> Tray Packing
	<b>S=</b> Stainless Steel			<b>G1=</b> 5µ Gold			<b>TR=</b> Tape / Reel w. Pic and Place Foil
				<b>G1=</b> 10µ Gold			<b>IV=</b> Individual Packing
				<b>G1=</b> 15µ Gold			
				<b>G1=</b> 30µ Gold			

**PIC and PLACE FOIL** for automatic assembly machine



**SMT USB 3.1 C-Type Receptacle**

Part No.: **T64131**

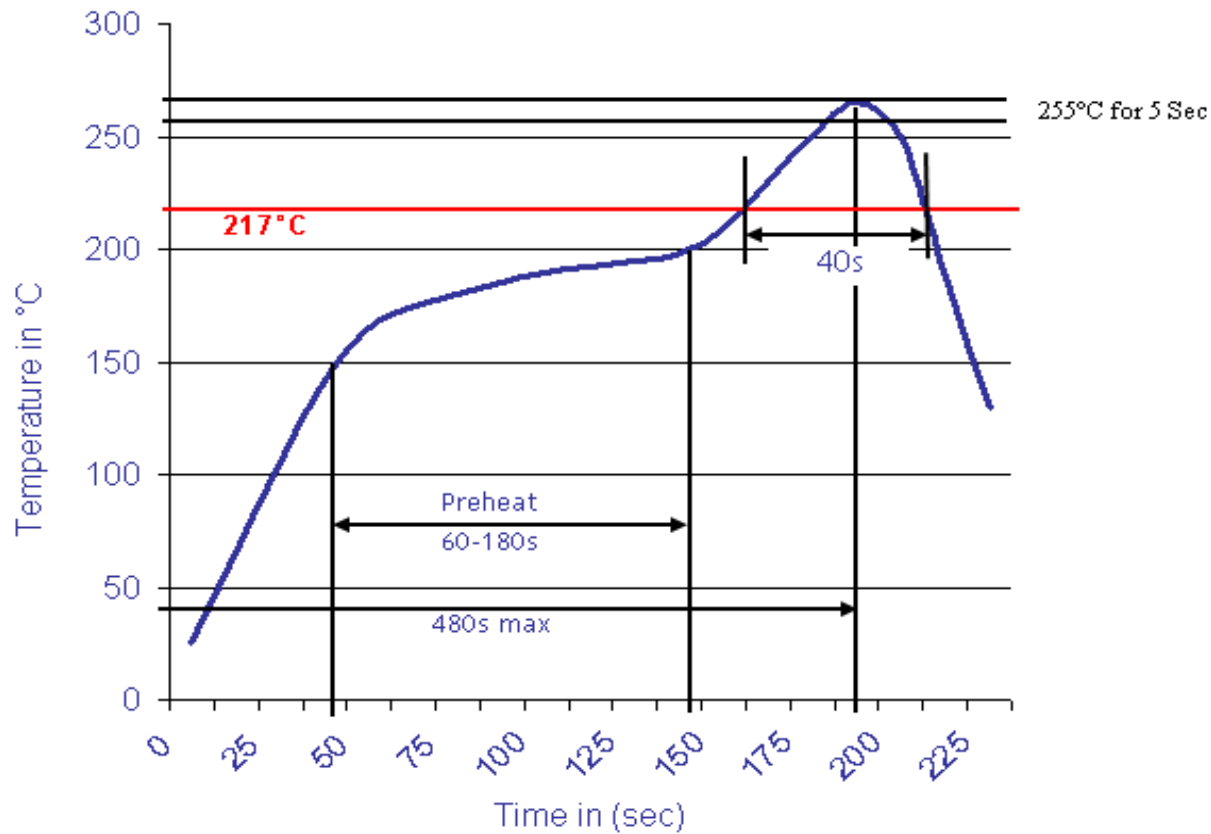
DRW:	Jason	CHKD	Wilson	MATL:	Wilson	TOLERANCE	Mason	DATE	02.09.2015
APPD:	Schumi			FINISH	Jamy		Sheet No.		4 from 5

Customer:



Soldering Profile Curve

Classification Reflow Profile (JEDEC J-STD-020C)



SMT USB 3.1 C-Type Receptacle

Part No.: T64131

Customer:

DRW:	Jason	CHKD	Wilson	MATL:	Wilson	TOLERANCE	Mason	DATE	02.09.2015
APPD:	Schumi			FINISH	Jamy		Sheet No.	5 from 5	