

EDCON-COMPONENTS

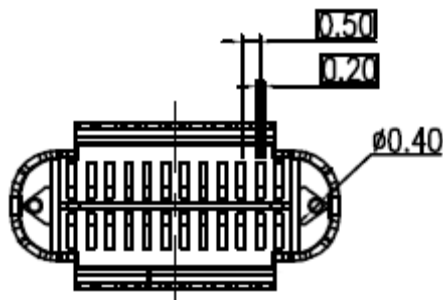


Specifications

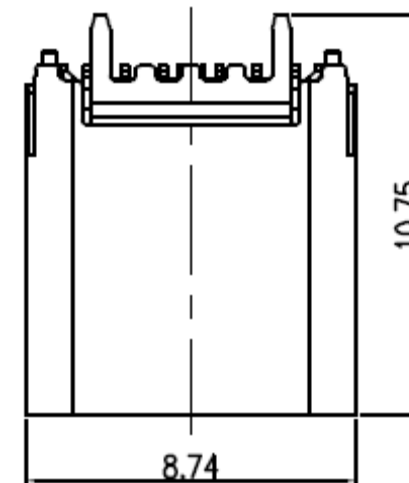
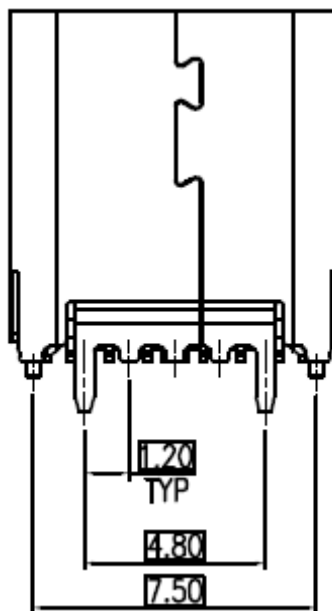
Voltage Rating: 30 VAC
 Current Rating: 5,0A for VBUS 0,25A for other
 Operating Temperature: -55°C to + 85°C
 Contact Resistance: 20m Ohm max.
 Withstanding Voltage: 100VAC min.
 Insulation Resistance: >100M Ohm min.
 Contact Thickness: 0,12mm

Material:

Insulator : look order code
 Color: look order code
 Contact Material: look order code
 Contact Type: Stamped
 Contact Plating: look order code
 Shielding: look order code
 Lifetime: 10000 cycles min.
 Force: 5~20N Max.



Drawing (dimensions all into mm)



**SMT USB 3.1 Receptacle C-Type
Vertical w 4 Shell DIP w. Post**

Part No.: **T64127**

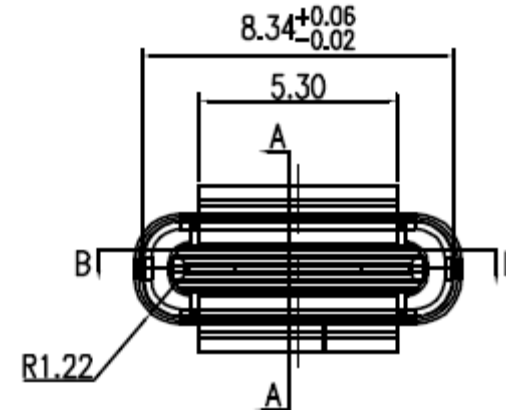
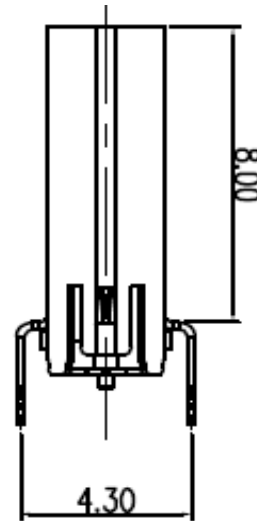
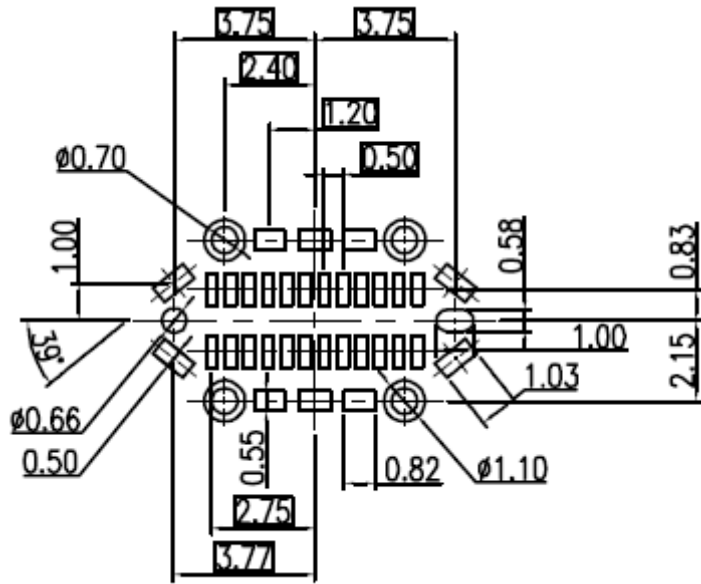
Customer:

DRW:	Jason	CHKD	Wilson	MATL:	Wilson	TOLERANCE	Mason	DATE	02.09.2015
APPD:	Schumi			FINISH	Jamy		Sheet No.	1 from 4	

EDCON-COMPONENTS



PCB Layout



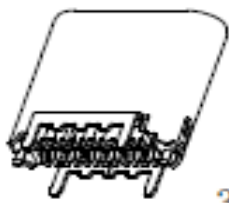
**SMT USB 3.1 Receptacle C-Type
Vertical w 4 Shell DIP w. Post**

Part No.: **T64127**

Customer:

DRW:	Jason	CHKD	Wilson	MATL:	Wilson	TOLERANCE	Mason	DATE	02.09.2015
APPD:	Schumi			FINISH	Jamy		Sheet No.	2 from 4	

EDCON-COMPONENTS



Ordering Informations

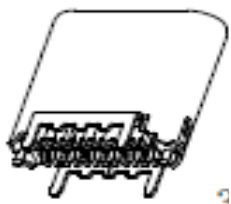
Serie	Color Inside	Shell Material	Insulator Material	Contact Material	Contact Plating	Special function	Packing	Packing		
T64127	BK	B	P	B	G0	0	R	BU		

BK= Black Color	B= Brass	P= PBT + 30% GF	B= Brass	G0= Gold Flash (Standard)	0= No Special function	R= ROHS conform	BU= Bulk Ware
WH= White Color	I= Iron	L= LCP	P= Phosphor Copper	G1= 3µ Gold		N= NON ROHS conform	TY= Tray Packing
	S= Stainless Steel			G1= 5µ Gold			TR= Tape / Reel w. Pic and Place Foil
				G1= 10µ Gold			IV= Individual Packing
				G1= 15µ Gold			
				G1= 30µ Gold			



SMT USB 3.1 Receptacle C-Type Vertical w 4 Shell DIP w. Post	
Part No.:	T64127
Customer:	

DRW:	Jason	CHKD	Wilson	MATL:	Wilson	TOLERANCE	Mason	DATE	02.09.2015
APPD:	Schumi			FINISH	Jamy		Sheet No.		3 from 4



Soldering Profile Curve

Classification Reflow Profile (JEDEC J-STD-020C)



SMT USB 3.1 Receptacle C-Type
Vertical w 4 Shell DIP w. Post

Part No.: **T64127**

DRW:	Jason	CHKD	Wilson	MATL:	Wilson	TOLERANCE	Mason	DATE	02.09.2015
APPD:	Schumi			FINISH	Jamy		Sheet No.	4 from 4	Customer: