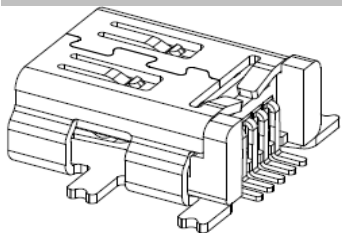


EDCON-COMPONENTS

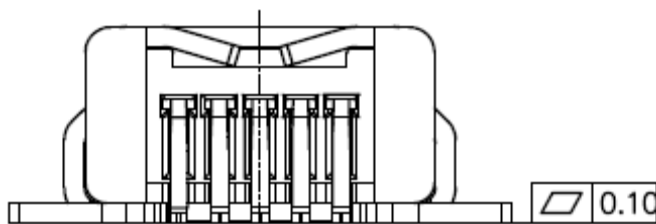


Specifications

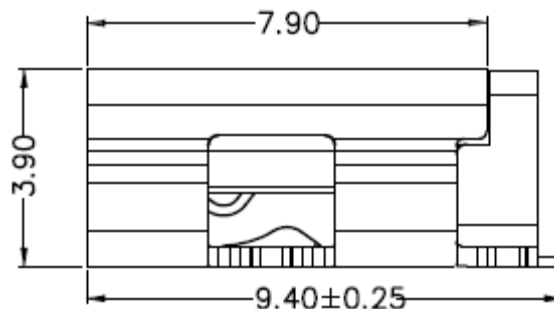
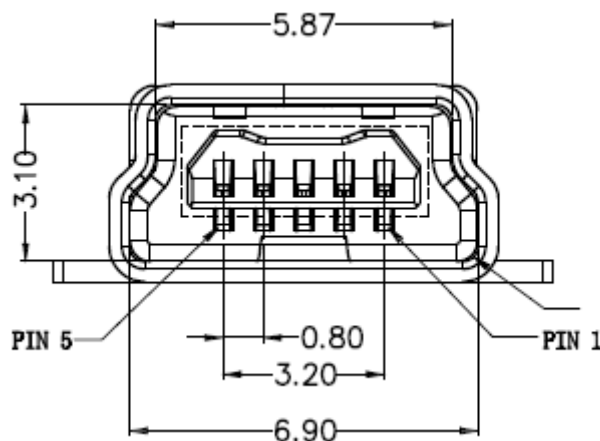
Voltage Rating: 30 VAC
 Current Rating: 1,0A
 Operating Temperature: -55°C to + 85°C
 Contact Resistance: 50m Ohm max.
 Withstanding Voltage: 100VAC min.
 Insulation Resistance: >100M Ohm min.
 Contact Thickness: 0,25mm

Material:

Insulator : look order code
 Color: look order code
 Contact Material: look order code
 Contact Type: Stamped
 Contact Plating: look order code
 Shielding: look order code
 Lifetime: 1000 cycles min.
 Force: 35N Max.



Drawing (dimensions all into mm)



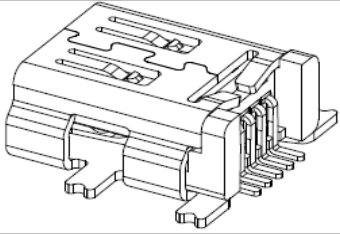
**SMT Mini USB-B Female 5P
Reverse Type**

Part No.: **T64116**

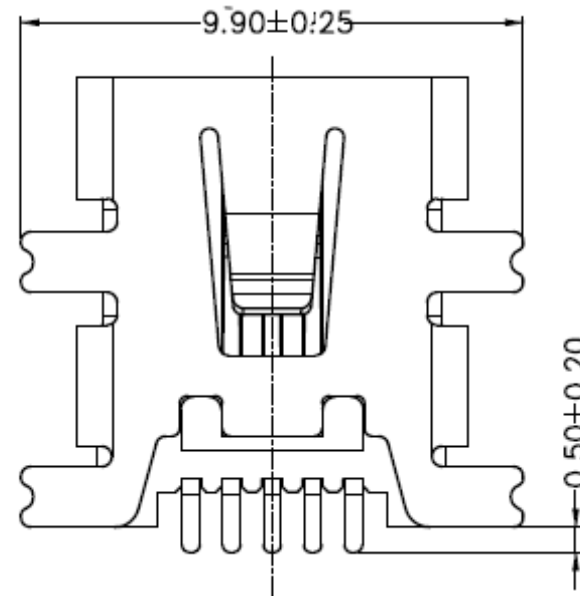
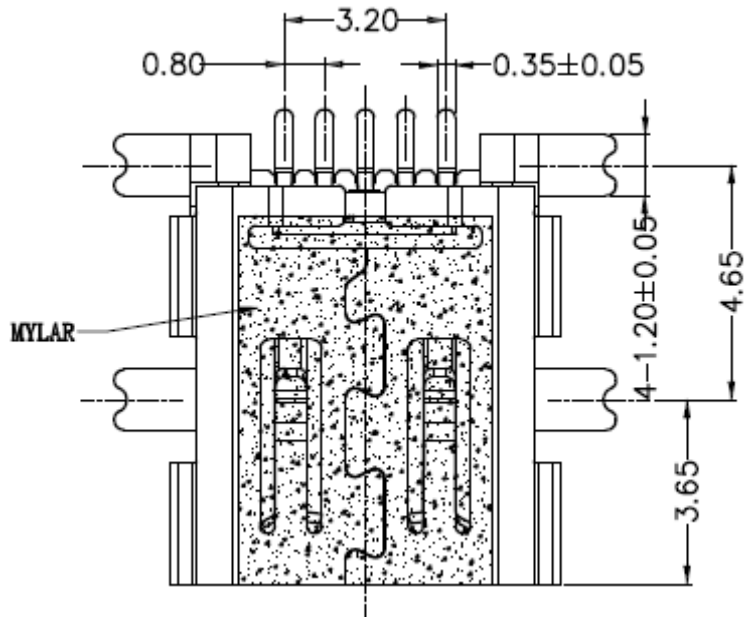
Customer:

DRW:	Jason	CHKD	Wilson	MATL:	Wilson	TOLERANCE	Mason	DATE	02.09.2015
APPD:	Schumi			FINISH	Jamy		Sheet No.	1 from 4	

EDCON-COMPONENTS



PCB Layout



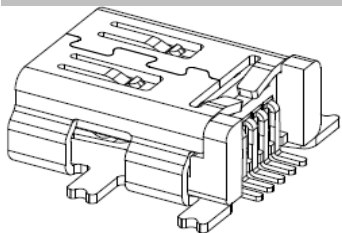
SMT Mini USB-B Female 5P Reverse Type	
Part No.:	T64116
Customer:	

DRW:	Jason	CHKD	Wilson	MATL:	Wilson	TOLERANCE	Mason	DATE	02.09.2015
APPD:	Schumi			FINISH	Jamy		Sheet No.	2 from 4	

www.edcon-components.com

email: info@edcon-components.com

EDCON-COMPONENTS



Ordering Informations

Serie	Color Inside	Shell Material	Insulator Material	Contact Material	Contact Plating	Special function	Packing	Packing		
T64116	BK	B	P	B	G0	A	R	BU		

BK= Black Color	B= Brass	P= PBT + 30% GF	B= Brass	G0= Gold Flash (Standard) G1= 3μ Gold G1= 5μ Gold G1= 10μ Gold G1= 15μ Gold G1= 30μ Gold	A= Type A	R= ROHS conform	BU= Bulk Ware
WH= White Color	I= Iron	L= LCP	P= Phosphor Copper		B= Type B		N= NON ROHS conform
	S= Stainless Steel						
							IV= Individual Packing

PIC and PLACE FOIL for automatic assembly machine

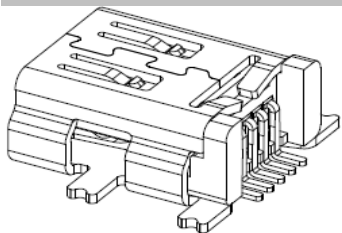


SMT Mini USB-B Female 5P Reverse Type

Part No.: **T64116**

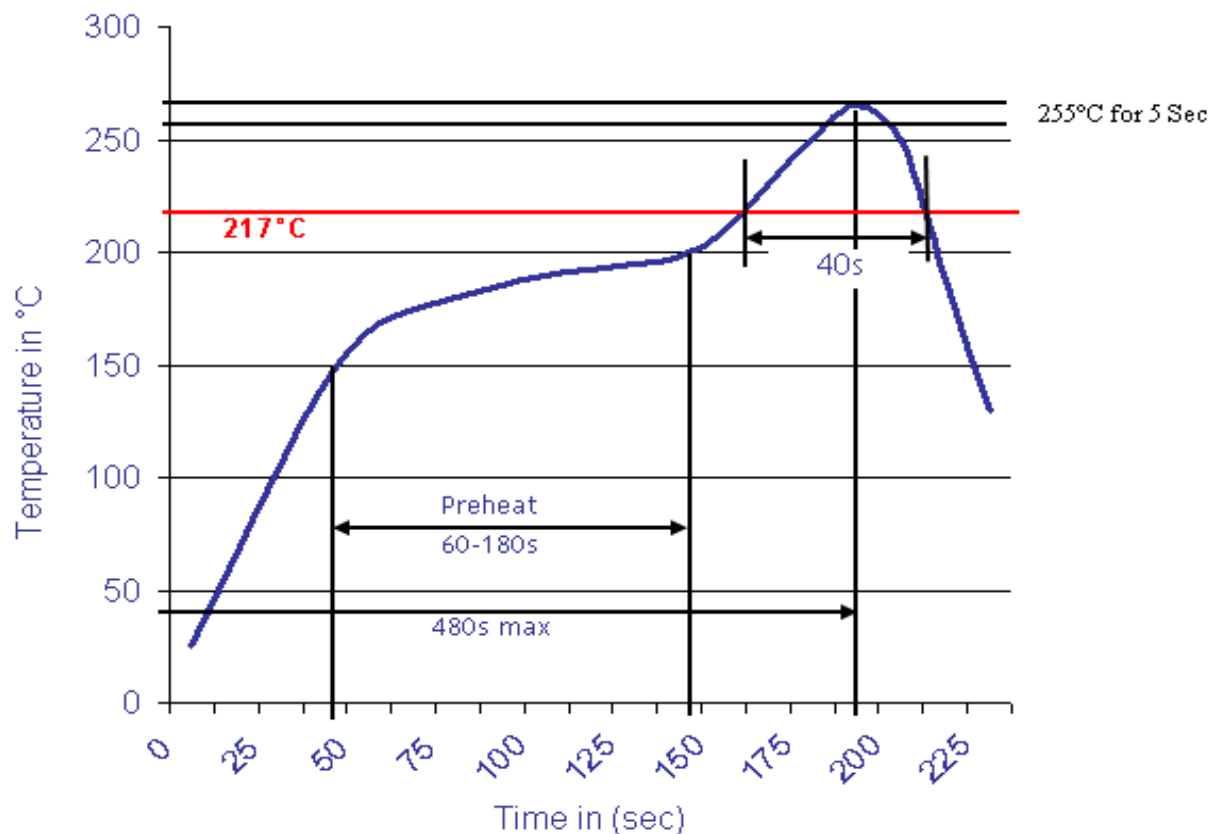
DRW:	Jason	CHKD	Wilson	MATL:	Wilson	TOLERANCE	Mason	DATE	02.09.2015
APPD:	Schumi			FINISH	Jamy		Sheet No.		3 from 4

Customer:



Soldering Profile Curve

Classification Reflow Profile (JEDEC J-STD-020C)



**SMT Mini USB-B Female 5P
Reverse Type**

Part No.: **T64116**

DRW:	Jason	CHKD	Wilson	MATL:	Wilson	TOLERANCE	Mason	DATE	02.09.2015
APPD:	Schumi			FINISH	Jamy		Sheet No.	4 from 4	Customer: