

# EDCON-COMPONENTS



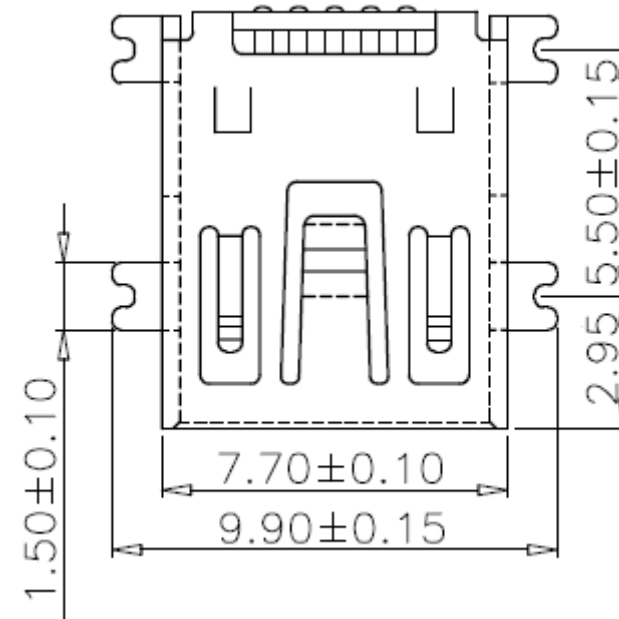
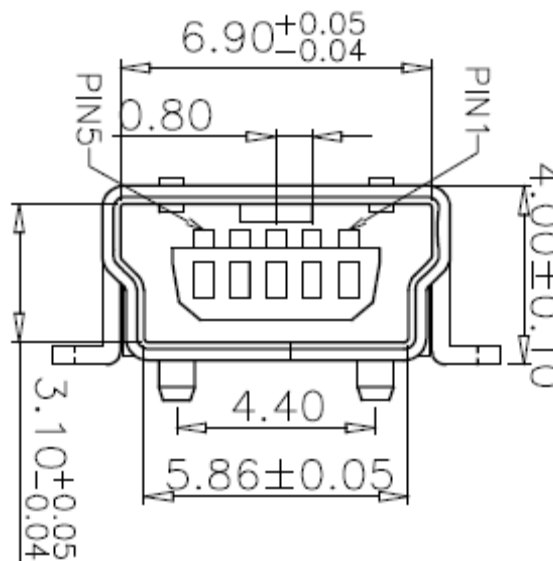
## Specifications

Voltage Rating:	30 VAC
Current Rating:	1,0A
Operating Temperature:	-.55°C to + 85°C
Contact Resistance:	50m Ohm max.
Withstanding Voltage:	100VAC min.
Insulation Resistance:	>100M Ohm min.
Contact Thickness:	0,25mm

### Material:

Insulator :	look order code
Color:	look order code
Contact Material:	look order code
Contact Type:	Stamped
Contact Plating:	look order code
Shielding:	look order code
Lifetime:	5000 cycles min.
Force:	35N Max.

## Drawing ( dimensions all into mm)



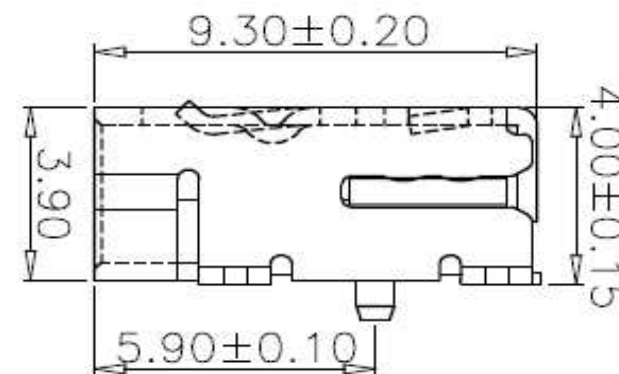
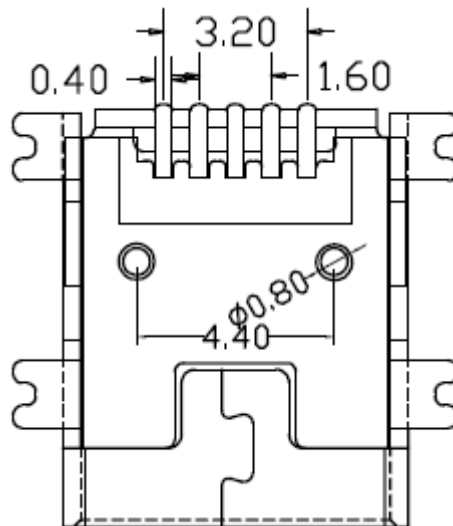
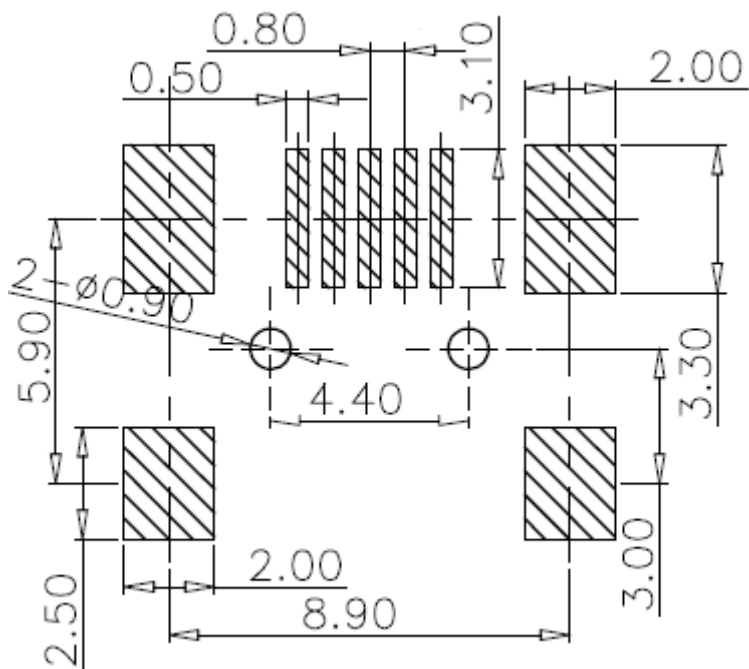
**SMT Mini USB Connector 5P B-Type Female w. Polarisation Peg**

Part No.: **T64109**

DRW:	Jason	CHKD	Wilson	MATL:	Wilson	TOLERANCE	Mason	DATE	24.08.2015
APPD:	Schumi			FINISH	Jamy		Sheet No.	1 from 4	Customer:



PCB Layout



**SMT Mini USB Connector 5P B-Type Female w. Polarisation Peg**

Part No.: **T64109**

DRW:	Jason	CHKD	Wilson	MATL:	Wilson	TOLERANCE	Mason	DATE	24.08.2015
APPD:	Schumi			FINISH	Jamy		Sheet No.	2 from 4	Customer:

# EDCON-COMPONENTS



## Ordering Informations

Serie	Color Inside	Shell Material	Insulator Material	Contact Material	Contact Plating	Special function	Packing	Packing		
<b>T64109</b>	<b>BK</b>	<b>B</b>	<b>P</b>	<b>B</b>	<b>G0</b>	<b>0</b>	<b>R</b>	<b>BU</b>		

<b>BK</b> = Black Color	<b>B</b> = Brass	<b>P</b> = PBT + 30% GF	<b>B</b> = Brass	<b>G0</b> = Gold Flash (Standard)	<b>0</b> = No Special function	<b>R</b> = ROHS conform	<b>BU</b> = Bulk Ware
<b>WH</b> = White Color	<b>I</b> = Iron	<b>L</b> = LCP	<b>P</b> = Phosphor Copper	<b>G1</b> = 3µ Gold		<b>N</b> = NON ROHS conform	<b>TY</b> = Tray Packing
	<b>S</b> = Stainless Steel			<b>G1</b> = 5µ Gold			<b>TR</b> = Tape / Reel w. Pic and Place Foil
				<b>G1</b> = 10µ Gold			<b>IV</b> = Individual Packing
				<b>G1</b> = 15µ Gold			
				<b>G1</b> = 30µ Gold			

**PIC and PLACE FOIL** for automatic assembly machine



**SMT Mini USB Connector 5P B-Type Female w. Polarisation Peg**

Part No.: **T64109**

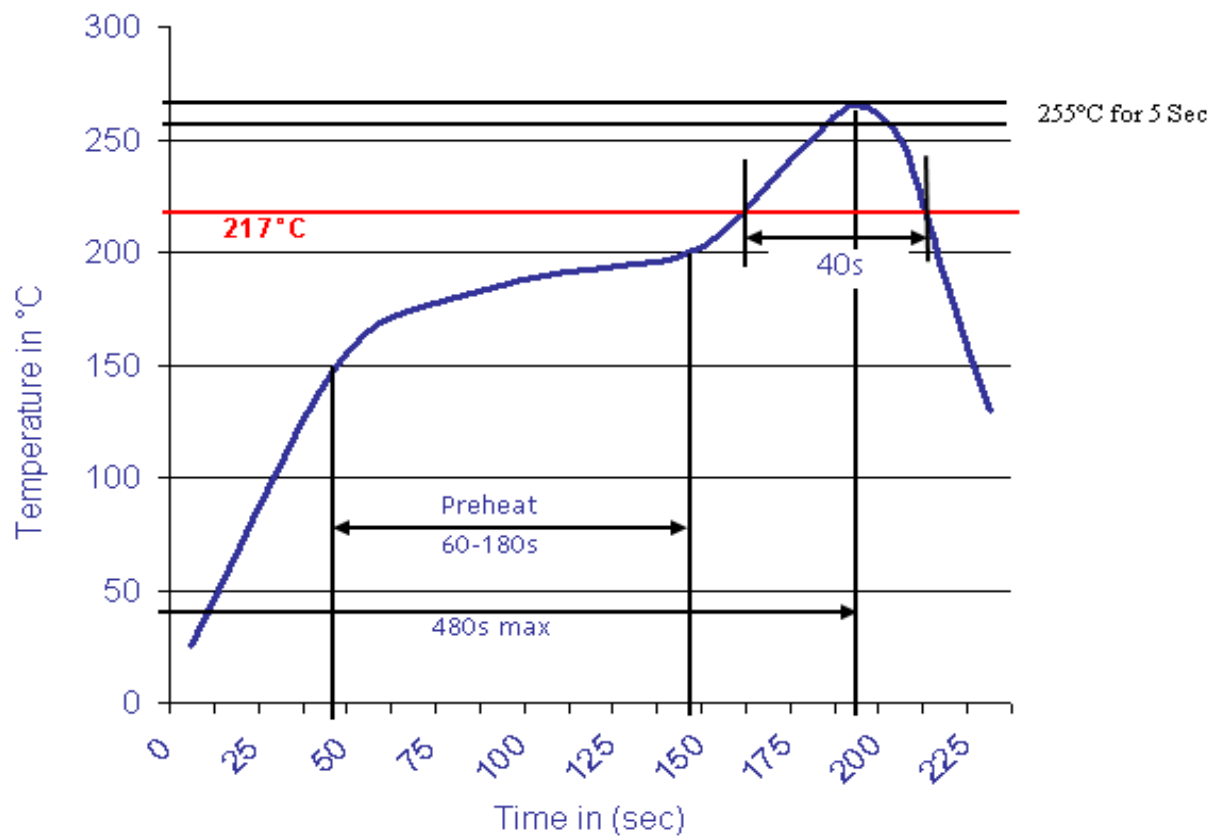
DRW:	Jason	CHKD	Wilson	MATL:	Wilson	TOLERANCE	Mason	DATE	24.08.2015
APPD:	Schumi			FINISH	Jamy		Sheet No.		3 from 4

Customer:



Soldering Profile Curve

Classification Reflow Profile (JEDEC J-STD-020C)



**SMT Mini USB Connector**  
**5P B-Type Female w.**  
**Polarisation Peg**  
 Part No.: **T64109**

DRW:	Jason	CHKD	Wilson	MATL:	Wilson	TOLERANCE	Mason	DATE	24.08.2015
APPD:	Schumi			FINISH	Jamy		Sheet No.	4 from 4	Customer: