

EDCON-COMPONENTS

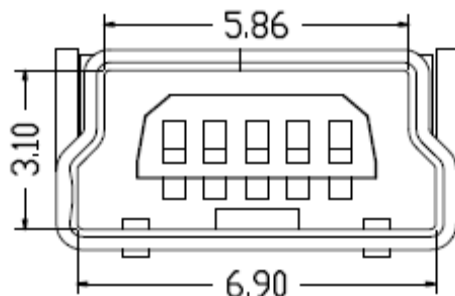


Specifications

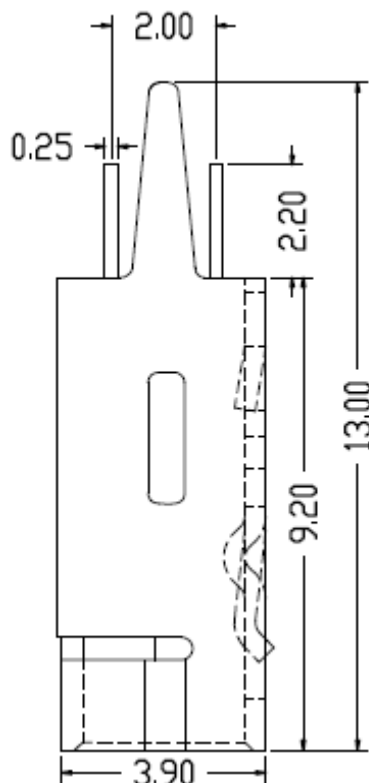
Voltage Rating: 30 VAC
 Current Rating: 1,0A
 Operating Temperature: -55°C to + 85°C
 Contact Resistance: 50m Ohm max.
 Withstanding Voltage: 100VAC min.
 Insulation Resistance: >100M Ohm min.
 Contact Thickness: 0,25mm

Material:

Insulator : look order code
 Color: look order code
 Contact Material: look order code
 Contact Type: Stamped
 Contact Plating: look order code
 Shielding: look order code
 Lifetime: 5000 cycles min.
 Force: 35N Max.



Drawing (dimensions all into mm)



THT Mini USB Connector 5P B-Type Female Straight DIP 2 Legs

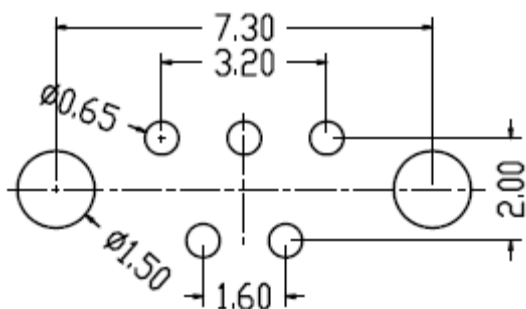
Part No.: **T64103**

DRW:	Jason	CHKD	Wilson	MATL:	Wilson	TOLERANCE	Mason	DATE	24.08.2015	Customer:
APPD:	Schumi			FINISH	Jamy		Sheet No.	1 from 4		

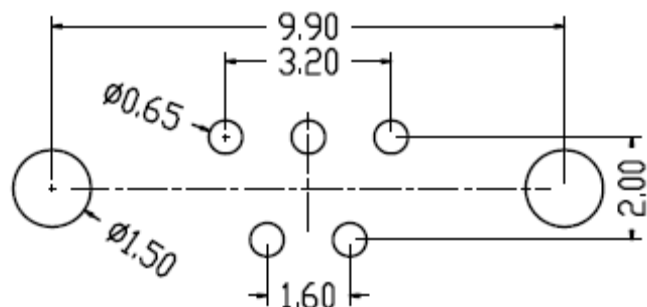
EDCON-COMPONENTS



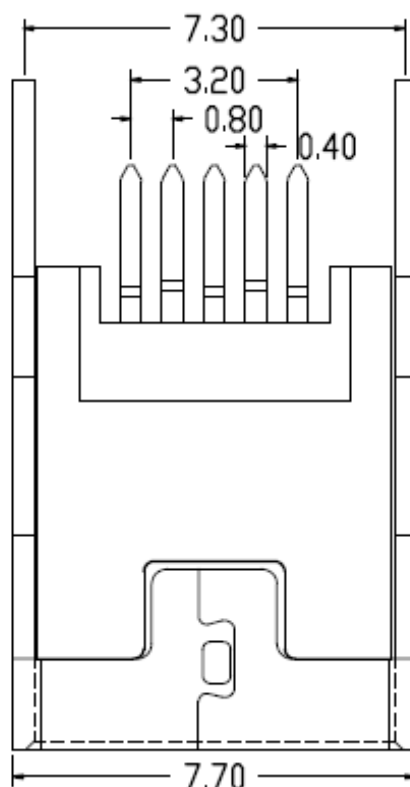
PCB Layout



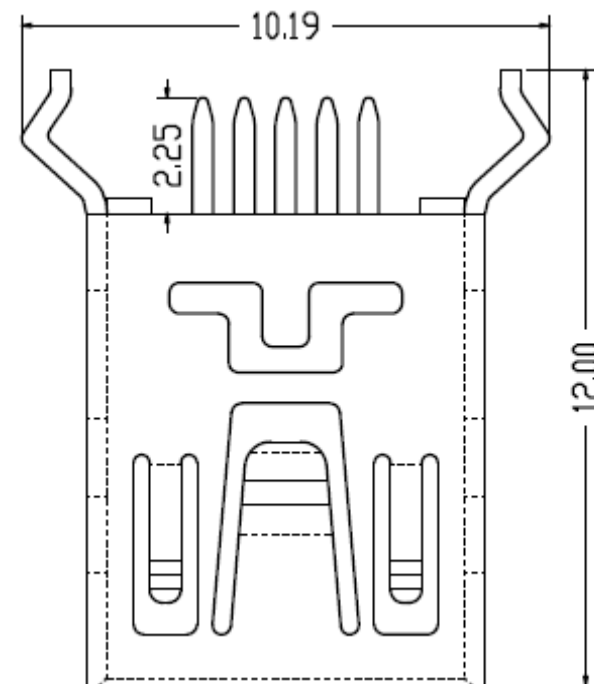
Type 1



Type 2



Type 1



Type 2

THT Mini USB Connector 5P B-Type Female Straight DIP 2 Legs

Part No.: **T64103**

DRW:	Jason	CHKD	Wilson	MATL:	Wilson	TOLERANCE	Mason	DATE	24.08.2015
APPD:	Schumi			FINISH	Jamy		Sheet No.	2 from 4	Customer:

www.edcon-components.com

email: info@edcon-components.com

EDCON-COMPONENTS



Ordering Informations

Serie	Color Inside	Shell Material	Insulator Material	Contact Material	Contact Plating	Special function	Packing	Packing		
T64103	BK	B	P	B	G0	0	R	BU		

BK= Black Color	B= Brass	P= PBT + 30% GF	B= Brass	G0= Gold Flash (Standard)	1= Layout Type 1	R= ROHS conform	BU= Bulk Ware
WH= White Color	I= Iron	L= LCP	P= Phosphor Copper	G1= 3μ Gold	2= Layout Type 2	N= NON ROHS conform	TY= Tray Packing
	S= Stainless Steel			G1= 5μ Gold	0= No Special function		TR= Tape / Reel w. Pic and Place Foil
				G1= 10μ Gold			IV= Individual Packing
				G1= 15μ Gold			
				G1= 30μ Gold			



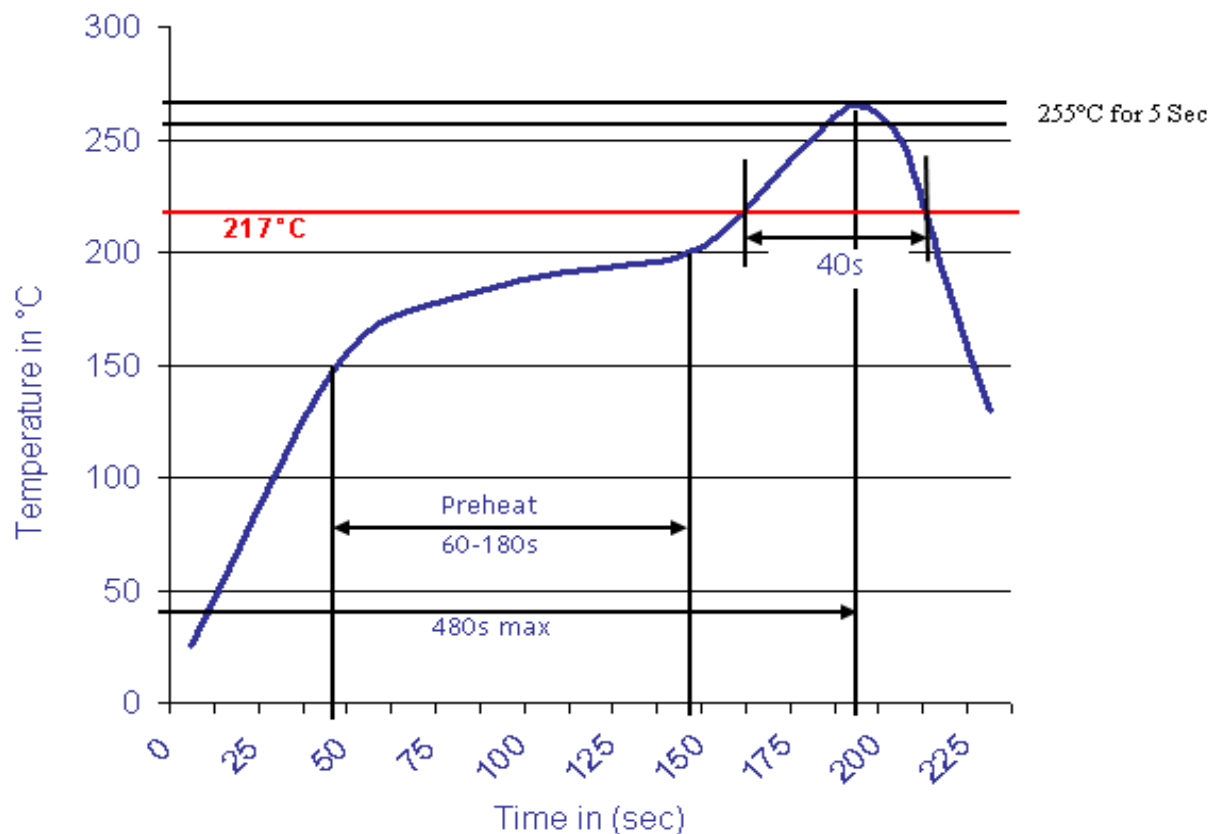
THT Mini USB Connector 5P B-Type Female Straight DIP 2 Legs
Part No.: T64103
Customer:

DRW:	Jason	CHKD	Wilson	MATL:	Wilson	TOLERANCE	Mason	DATE	24.08.2015
APPD:	Schumi			FINISH	Jamy		Sheet No.		3 from 4



Soldering Profile Curve

Classification Reflow Profile (JEDEC J-STD-020C)



TH1 Mini USB Connector
5P B-Type Female Straight
DIP 2 Legs
 Part No.: **T64103**

DRW:	Jason	CHKD	Wilson	MATL:	Wilson	TOLERANCE	Mason	DATE	24.08.2015
APPD:	Schumi			FINISH	Jamy		Sheet No.	4 from 4	Customer: