

EDCON-COMPONENTS



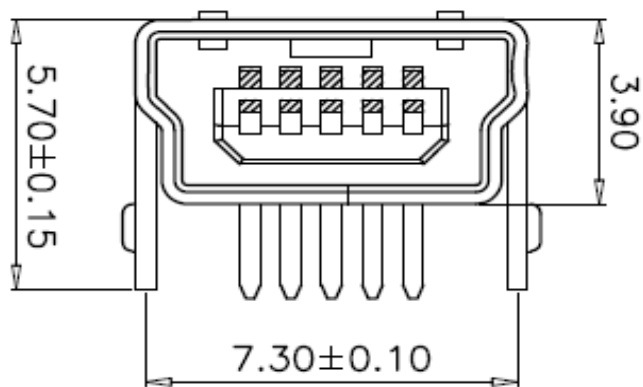
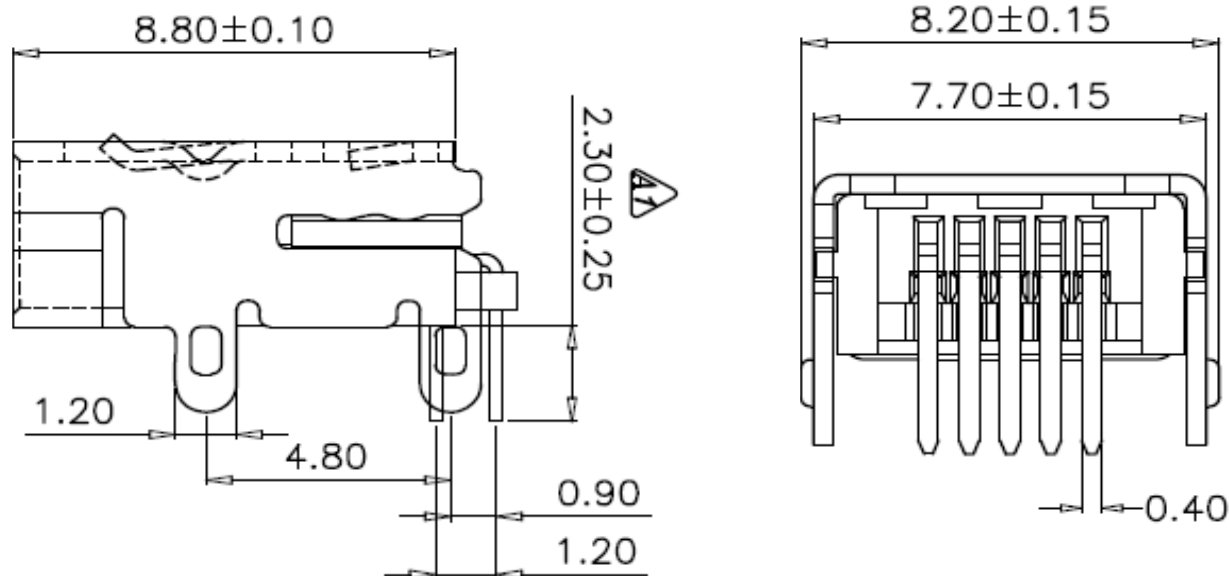
Specifications

Voltage Rating:	30 VAC
Current Rating:	1,0A
Operating Temperature:	-.55°C to + 85°C
Contact Resistance:	50m Ohm max.
Withstanding Voltage:	100VAC min.
Insulation Resistance:	>100M Ohm min.
Contact Thickness:	0,25mm

Material:

Insulator :	look order code
Color:	look order code
Contact Material:	look order code
Contact Type:	Stamped
Contact Plating:	look order code
Shielding:	look order code
Lifetime:	5000 cycles min.
Force:	35N Max.

Drawing (dimensions all into mm)



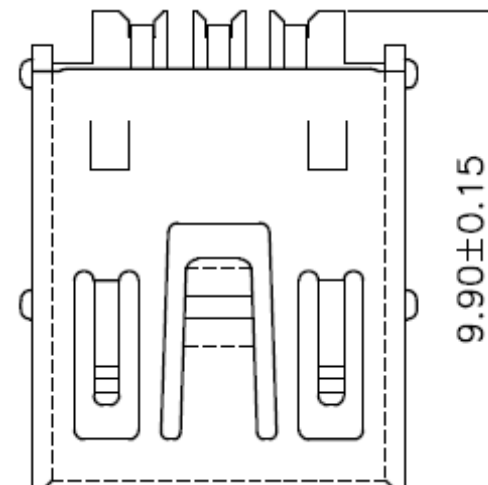
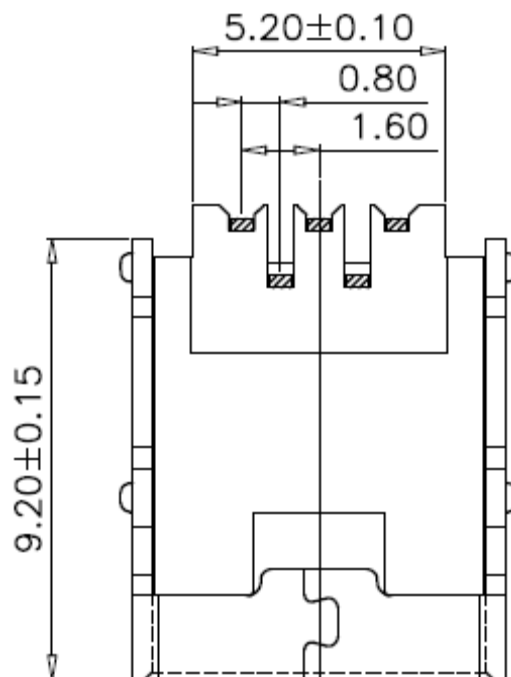
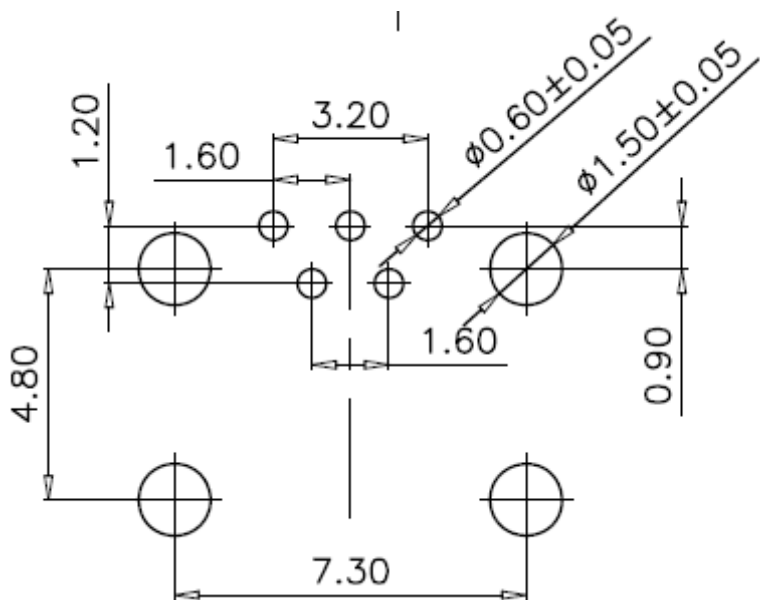
THT Mini USB Connector 5P B-Type Female Type Right Angle DIP 4 Legs

Part No.: **T64102**

DRWV:	Jasuh	CHND	VVHSUH	MATL:	Wilson	TOLERANCE	Mason	DATE	24.08.2015	Customer:
APPD:	Schumi			FINISH	Jamy		Sheet No.	1 from 4		



PCB Layout



**THT Mini USB Connector 5P B-Type Female Type Right Angle
DIP 4 Legs**

Part No.: **T64102**

DRW:	Jason	CHKD	Wilson	MATL:	Wilson	TOLERANCE	Mason	DATE	24.08.2015
APPD:	Schumi			FINISH	Jamy		Sheet No.	2 from 4	Customer:

EDCON-COMPONENTS



Ordering Informations

Serie	Color Inside	Shell Material	Insulator Material	Contact Material	Contact Plating	Special function	Packing	Packing		
T64102	BK	B	P	B	G0	0	R	BU		

BK= Black Color	B= Brass	P= PBT + 30% GF	B= Brass	G0= Gold Flash (Standard)	0= No Special function	R= ROHS conform N= NON ROHS conform	BU= Bulk Ware
WH= White Color	I= Iron	L= LCP	P= Phosphor Copper	G1= 3μ Gold			TR= Tape / Reel w. Pic and Place Foil
	S= Stainless Steel			G1= 5μ Gold			
				G1= 10μ Gold			
				G1= 15μ Gold			
				G1= 30μ Gold			
					IV= Individual Packing		

PIC and PLACE FOIL for automatic assembly machine



THT Mini USB Connector 5P B-Type Female Type Right Angle DIP 4 Legs

Part No.: **T64102**

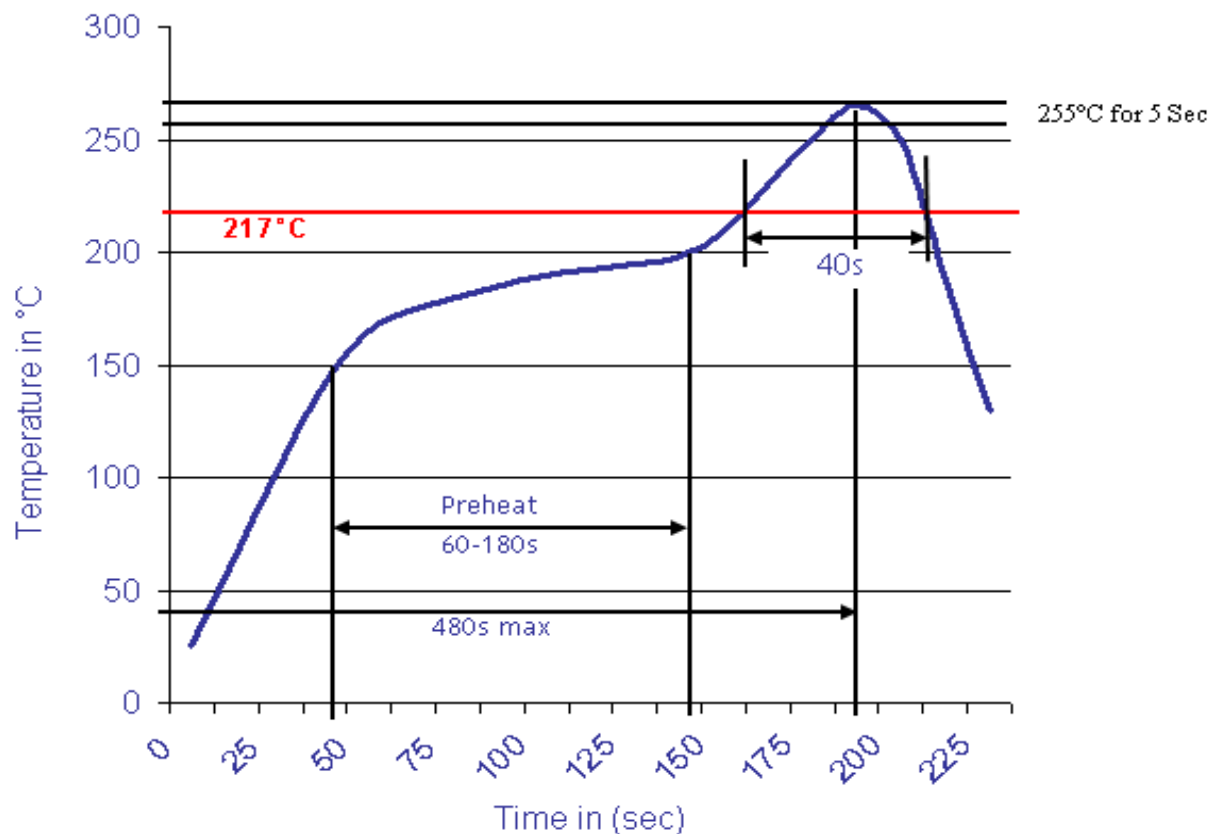
DRW:	Jason	CHKD	Wilson	MATL:	Wilson	TOLERANCE	Mason	DATE	24.08.2015
APPD:	Schumi			FINISH	Jamy		Sheet No.		3 from 4

Customer:



Soldering Profile Curve

Classification Reflow Profile (JEDEC J-STD-020C)



TH1 Mini USB Connector
5P B-Type Female Type
Right Angle DIP 4 Leas
 Part No.: **T64102**

DRW:	Jason	CHKD	Wilson	MATL:	Wilson	TOLERANCE	Mason	DATE	24.08.2015
APPD:	Schumi			FINISH	Jamy		Sheet No.	4 from 4	Customer: