

EDCON-COMPONENTS



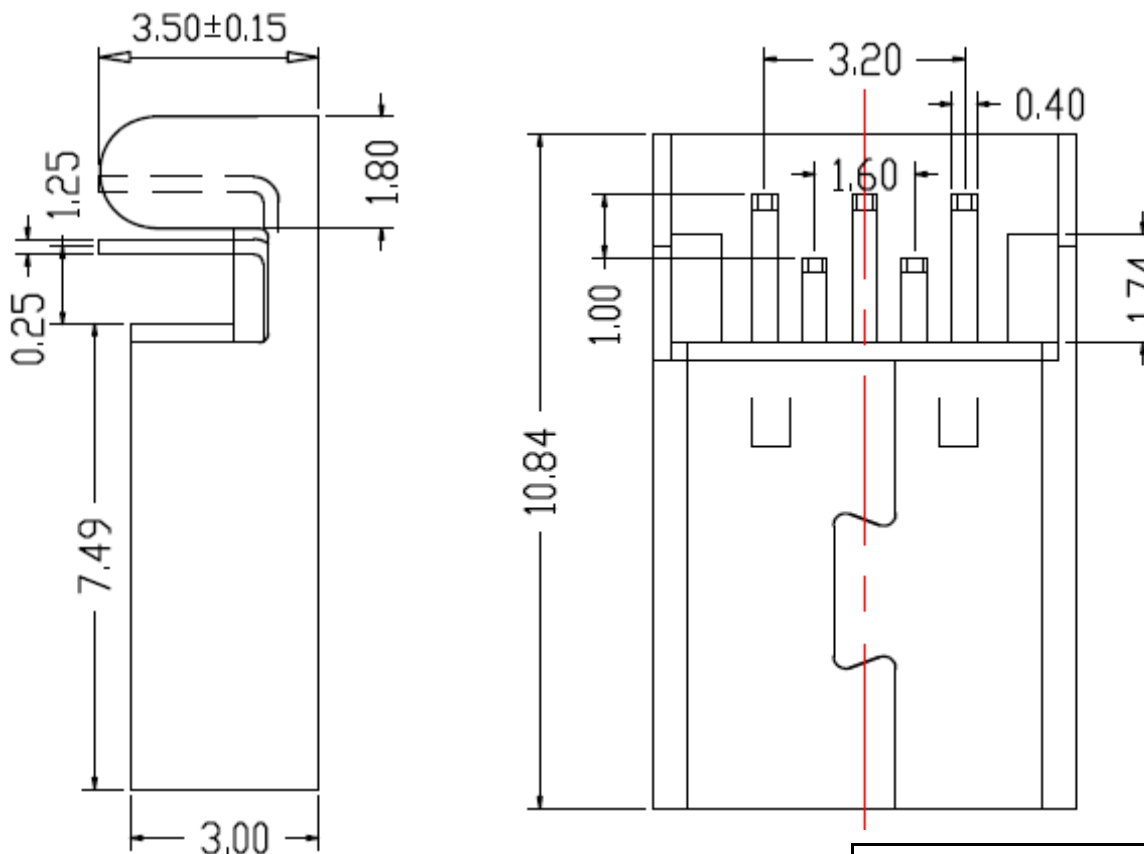
Specifications

Voltage Rating: 30 VAC
 Current Rating: 1,0A
 Operating Temperature: -55°C to + 85°C
 Contact Resistance: 50m Ohm max.
 Withstanding Voltage: 100VAC min.
 Insulation Resistance: >500M Ohm min.
 Contact Thickness: 0,25mm

Material:

Insulator : look order code
 Color: look order code
 Contact Material: look order code
 Contact Type: Stamped
 Contact Plating: look order code
 Shielding: look order code
 Lifetime: 5000 cycles min.
 Force: 35N Max.

Drawing (dimensions all into mm)



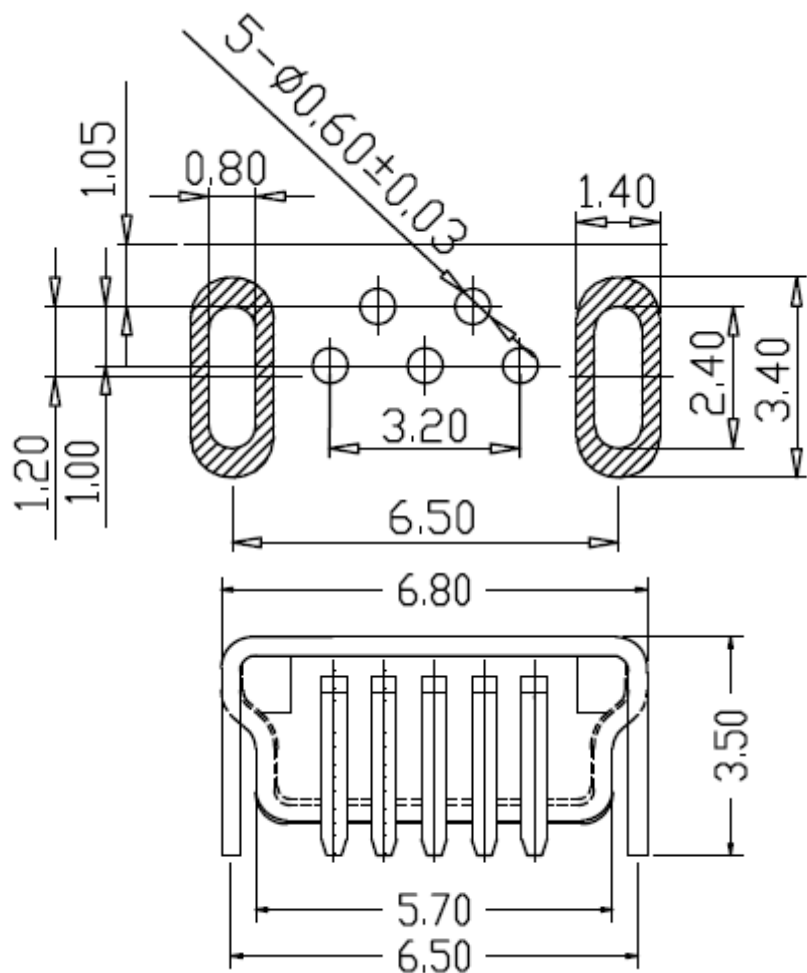
**Mini USB Connector Plug 5P B
 Type THT Right Angle**

Part No.: **T64094**

| | | | | | | | | | | |
|-------|--------|------|--------|--------|--------|-----------|-----------|----------|------------|-----------|
| DRW: | Jason | CHKD | Wilson | MATL: | Wilson | TOLERANCE | Mason | DATE | 24.08.2015 | Customer: |
| APPD: | Schumi | | | FINISH | Jamy | | Sheet No. | 1 from 4 | | |



PCB Layout



Mini USB Connector Plug 5P B
Type THT Right Angle

Part No.: **T64094**

Customer:

| | | | | | | | | | |
|-------|--------|------|--------|--------|--------|-----------|-----------|----------|------------|
| DRW: | Jason | CHKD | Wilson | MATL: | Wilson | TOLERANCE | Mason | DATE | 24.08.2015 |
| APPD: | Schumi | | | FINISH | Jamy | | Sheet No. | 2 from 4 | |

EDCON-COMPONENTS



Ordering Informations

| Serie | Color Inside | Shell Material | Insulator Material | Contact Material | Contact Plating | Special function | Packing | Packing | | |
|---------------|--------------|----------------|--------------------|------------------|-----------------|------------------|----------|-----------|--|--|
| T64094 | BK | B | P | B | G0 | 0 | R | BU | | |

| | | | | | | | |
|------------------------|---------------------------|------------------------|---------------------------|----------------------------------|-------------------------------|--|---|
| BK= Black Color | B= Brass | P= PBT + 30% GF | B= Brass | G0= Gold Flash (Standard) | 0= No Special function | R= ROHS conform N= NON ROHS conform | BU= Bulk Ware |
| WH= White Color | I= Iron | L= LCP | P= Phosphor Copper | G1= 3μ Gold | | | TY= Tray Packing TR= Tape / Reel w. Pic and Place Foil |
| | S= Stainless Steel | | | G1= 5μ Gold | | | |
| | | | | G1= 10μ Gold | | | |
| | | | | G1= 15μ Gold | | | |
| | | | | G1= 30μ Gold | | | |
| | | | | | IV= Individual Packing | | |

PIC and PLACE FOIL for automatic assembly machine



Mini USB Connector Plug 5P B Type THT Right Angle

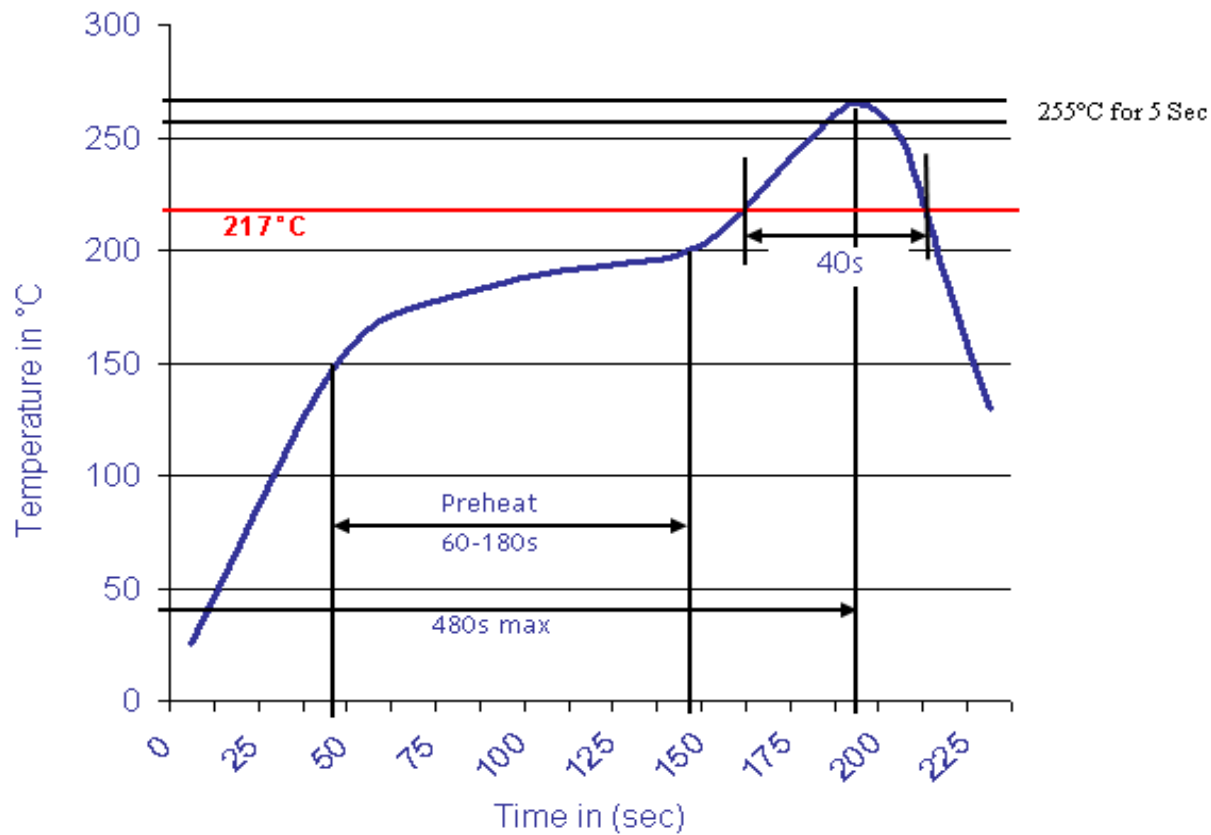
Part No.: **T64094**

| | | | | | | | | | | |
|-------|--------|------|--------|--------|--------|-----------|-----------|----------|------------|-----------|
| DRW: | Jason | CHKD | Wilson | MATL: | Wilson | TOLERANCE | Mason | DATE | 24.08.2015 | Customer: |
| APPD: | Schumi | | | FINISH | Jamy | | Sheet No. | 3 from 4 | | |



Soldering Profile Curve

Classification Reflow Profile (JEDEC J-STD-020C)



| | |
|----------------------------------|---------------|
| Mini USB Connector Plug | |
| 5P B Type THT Right Angle | |
| Part No.: | T64094 |
| Customer: | |

| | | | | | | | | | |
|-------|--------|------|--------|--------|--------|-----------|-----------|----------|------------|
| DRW: | Jason | CHKD | Wilson | MATL: | Wilson | TOLERANCE | Mason | DATE | 24.08.2015 |
| APPD: | Schumi | | | FINISH | Jamy | | Sheet No. | 4 from 4 | |