

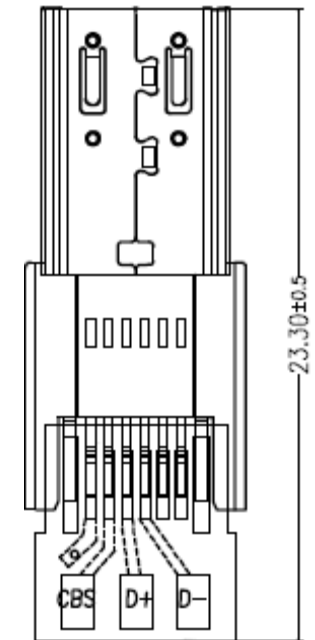
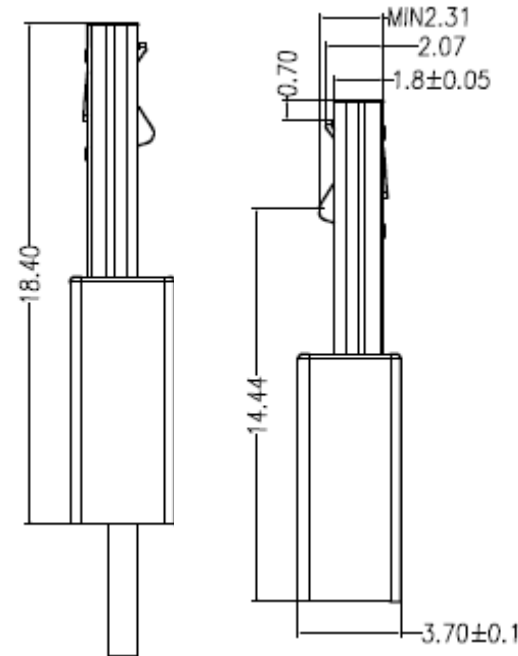
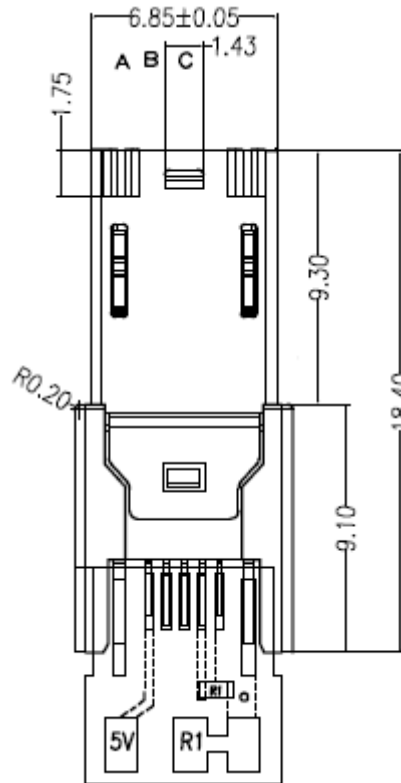
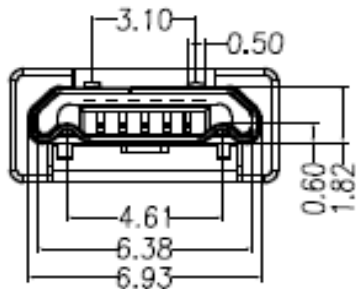
# EDCON-COMPONENTS



## Specifications

Voltage Rating:	30 VAC
Current Rating:	1,0A
Operating Temperature:	- 30°C to + 80°C
Contact Resistance:	30m Ohm max.
Withstanding Voltage:	100VAC min.
Insulation Resistance:	>100M Ohm min.
Contact Thickness:	0,20mm
<b>Material:</b>	
Insulator :	look order code
Color:	look order code
Contact Material:	look order code
Contact Type:	Stamped
Contact Plating:	look order code
Shielding:	look order code
Lifetime:	10000 cycles min.
Force:	35N Max.

## Drawing ( dimensions all into mm)



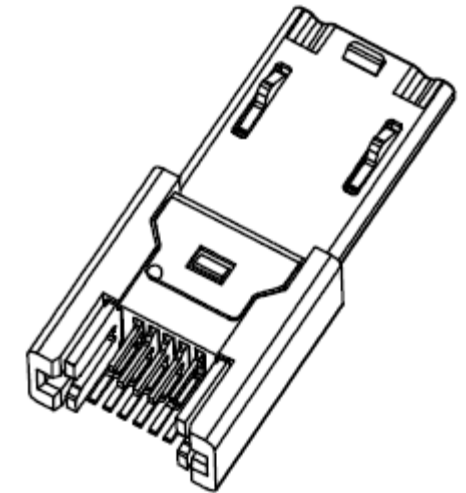
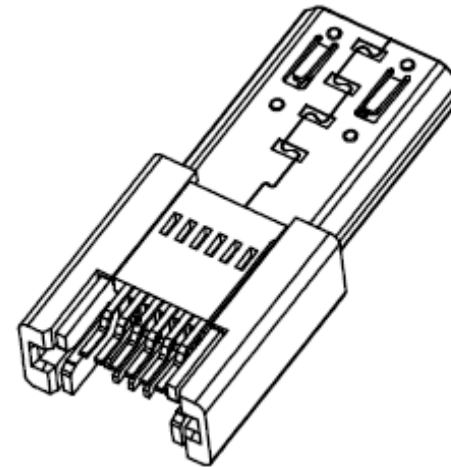
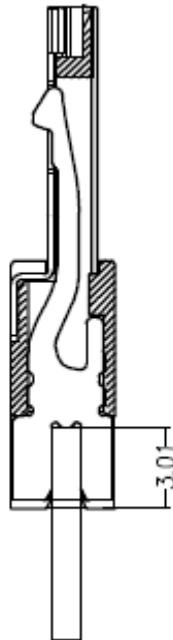
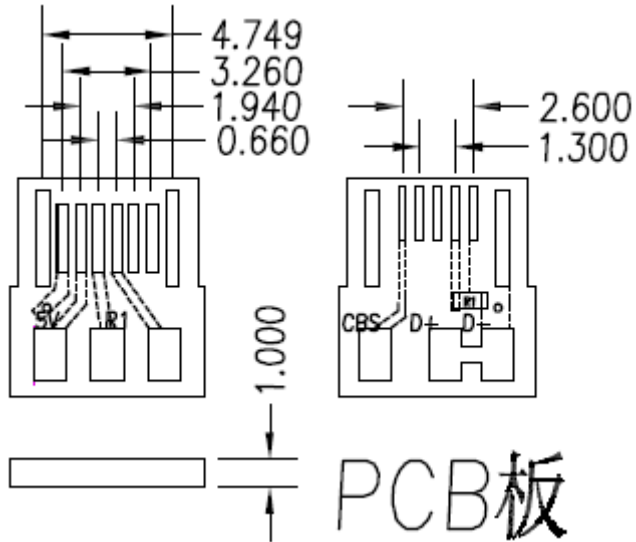
**Micro USB Connector Plug 11P  
C Type Straddle w. PCB Board**

Part No.: **T64091**

DRW:	Jason	CHKD	Wilson	MATL:	Wilson	TOLERANCE	Mason	DATE	24.08.2015	Customer:
APPD:	Schumi			FINISH	Jamy			Sheet No.	1 from 4	



PCB Layout



<b>Micro USB Connector Plug 11P C Type Straddle w. PCB Board</b>	
Part No.:	<b>T64091</b>
Customer:	

DRW:	Jason	CHKD	Wilson	MATL:	Wilson	TOLERANCE	Mason	DATE	24.08.2015
APPD:	Schumi			FINISH	Jamy		Sheet No.	2 from 4	

# EDCON-COMPONENTS



## Ordering Informations

Serie	Color Inside	Shell Material	Insulator Material	Contact Material	Contact Plating	Special function	Packing	Packing		
<b>T64091</b>	<b>BK</b>	<b>B</b>	<b>P</b>	<b>B</b>	<b>G0</b>	<b>0</b>	<b>R</b>	<b>BU</b>		

<b>BK=</b> Black Color	<b>B=</b> Brass	<b>P=</b> PBT + 30% GF	<b>B=</b> Brass	<b>G0=</b> Gold Flash (Standard) <b>G1=</b> 3μ Gold <b>G1=</b> 5μ Gold <b>G1=</b> 10μ Gold <b>G1=</b> 15μ Gold <b>G1=</b> 30μ Gold	<b>0=</b> No Special function	<b>R=</b> ROHS conform	<b>BU=</b> Bulk Ware
<b>WH=</b> White Color	<b>I=</b> Iron	<b>L=</b> LCP	<b>P=</b> Phosphor Copper			<b>N=</b> NON ROHS conform	<b>TY=</b> Tray Packing
	<b>S=</b> Stainless Steel						<b>TR=</b> Tape / Reel w. Pic and Place Foil
							<b>IV=</b> Individual Packing

**PIC and PLACE FOIL** for automatic assembly machine



**Micro USB Connector Plug 11P  
C Type Straddle w. PCB Board**

Part No.: **T64091**

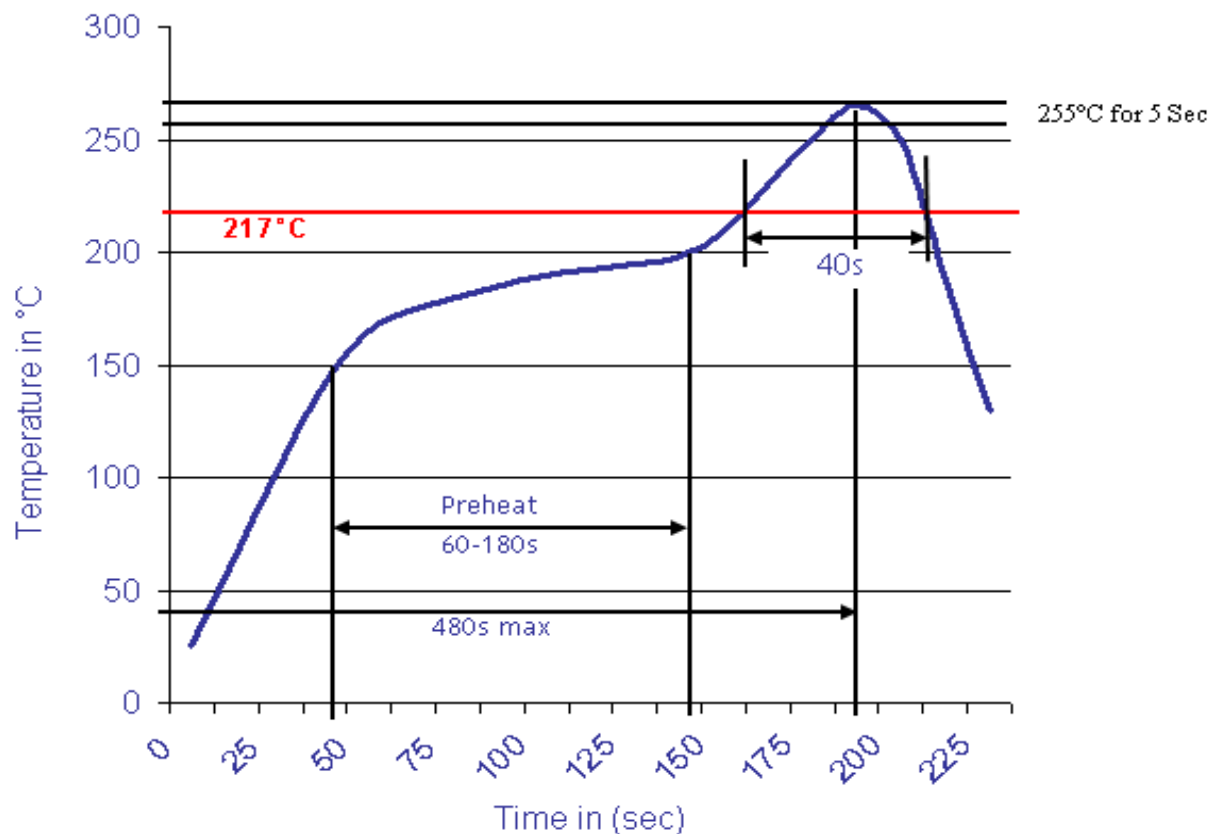
DRW:	Jason	CHKD	Wilson	MATL:	Wilson	TOLERANCE	Mason	DATE	24.08.2015
APPD:	Schumi			FINISH	Jamy			Sheet No.	3 from 4

Customer:



Soldering Profile Curve

Classification Reflow Profile (JEDEC J-STD-020C)



**Micro USB Connector Plug  
11P C Type Straddle w.  
PCB Board**  
Part No.: **T64091**

DRW:	Jason	CHKD	Wilson	MATL:	Wilson	TOLERANCE	Mason	DATE	24.08.2015
APPD:	Schumi			FINISH	Jamy		Sheet No.	4 from 4	Customer: