

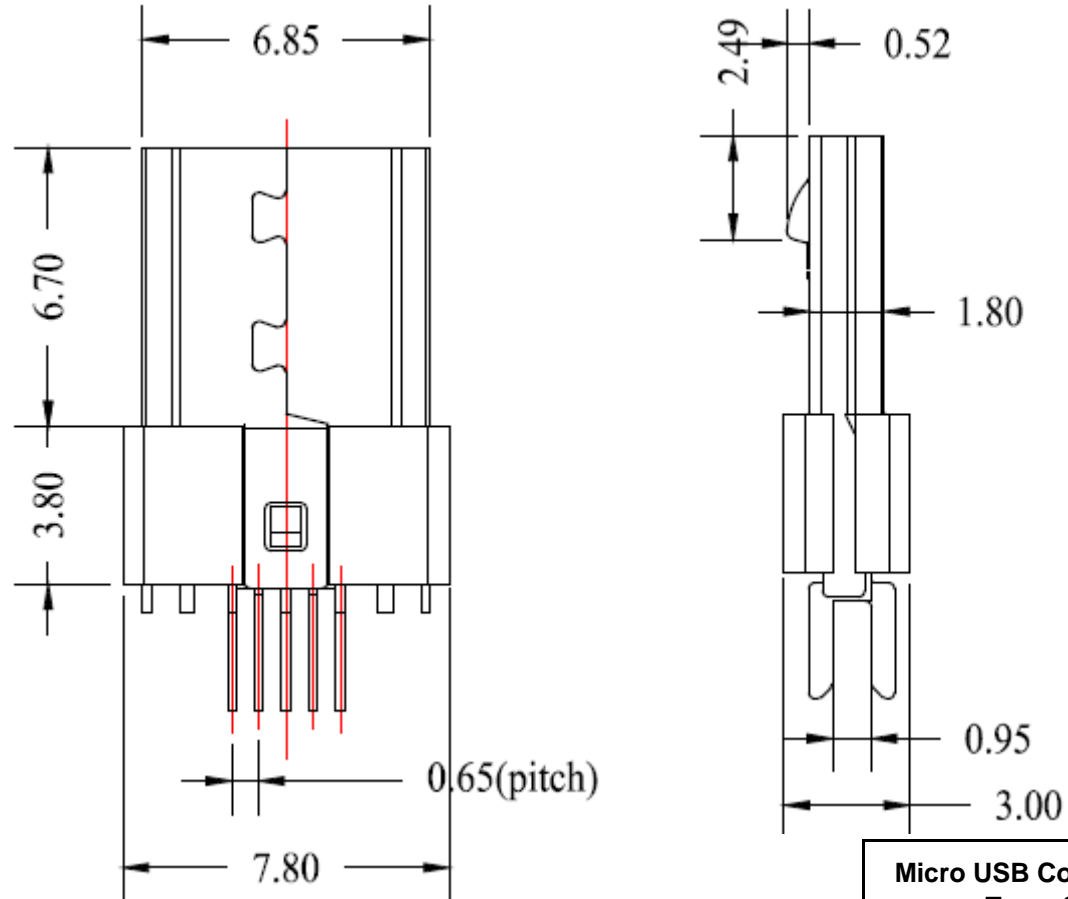
EDCON-COMPONENTS



Specifications

Voltage Rating:	30 VAC
Current Rating:	0,5A
Operating Temperature:	- 30°C to + 80°C
Contact Resistance:	50m Ohm max.
Withstanding Voltage:	100VAC min.
Insulation Resistance:	>100M Ohm min.
Contact Thickness:	0,20mm
Material:	
Insulator :	look order code
Color:	look order code
Contact Material:	look order code
Contact Type:	Stamped
Contact Plating:	look order code
Shielding:	look order code
Lifetime:	1000 cycles min.
Force:	10N min Initial 8~20N after 3000C

Drawing (dimensions all into mm)



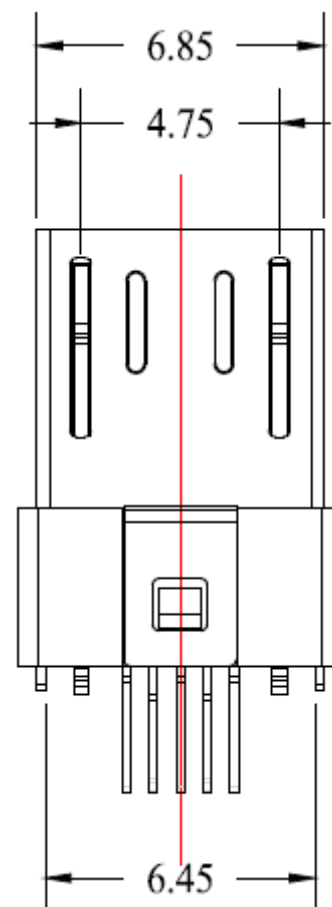
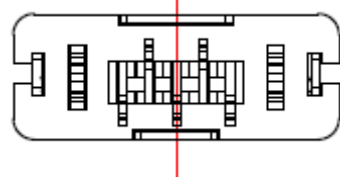
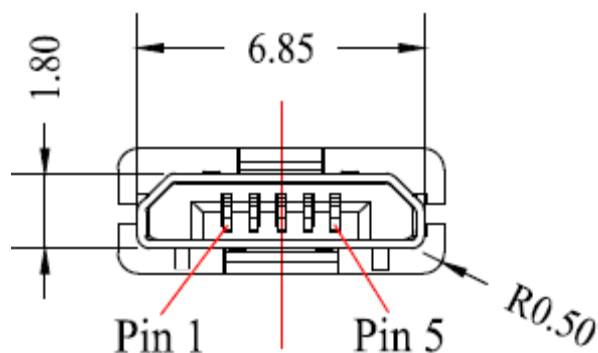
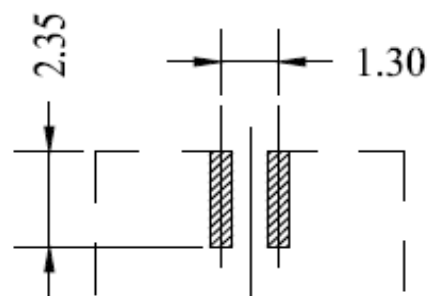
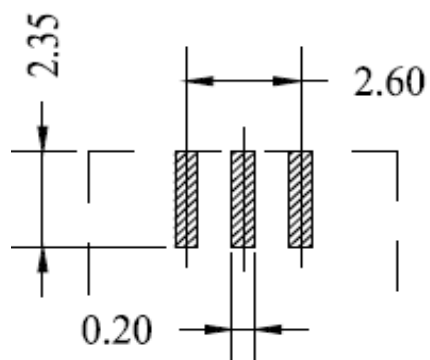
**Micro USB Connector 5P B
Type Straddle**

Part No.: **T64085**

DRW:	Jason	CHKD	Wilson	MATL:	Wilson	TOLERANCE	Mason	DATE	23.08.2015	Customer:
APPD:	Schumi			FINISH	Jamy		Sheet No.	1 from 4		



PCB Layout



Micro USB Connector 5P B
Type Straddle

Part No.: T64085

DRW:	Jason	CHKD	Wilson	MATL:	Wilson	TOLERANCE	Mason	DATE	23.08.2015
APPD:	Schumi			FINISH	Jamy		Sheet No.	2 from 4	Customer:

EDCON-COMPONENTS



Ordering Informations

Serie	Color Inside	Shell Material	Insulator Material	Contact Material	Contact Plating	Special function	Packing	Packing		
T64085	BK	B	P	B	G0	0	R	BU		

BK = Black Color	B = Brass	P = PBT + 30% GF	B = Brass	G0 = Gold Flash (Standard)	0 = No Special function	R = ROHS conform	BU = Bulk Ware
WH = White Color	I = Iron	L = LCP	P = Phosphor Copper	G1 = 3μ Gold		N = NON ROHS conform	TY = Tray Packing
	S = Stainless Steel			G1 = 5μ Gold			TR = Tape / Reel w. Pic and Place Foil
				G1 = 10μ Gold			
				G1 = 15μ Gold			
				G1 = 30μ Gold			
							IV = Individual Packing

PIC and PLACE FOIL for automatic assembly machine



Micro USB Connector 5P B Type Straddle

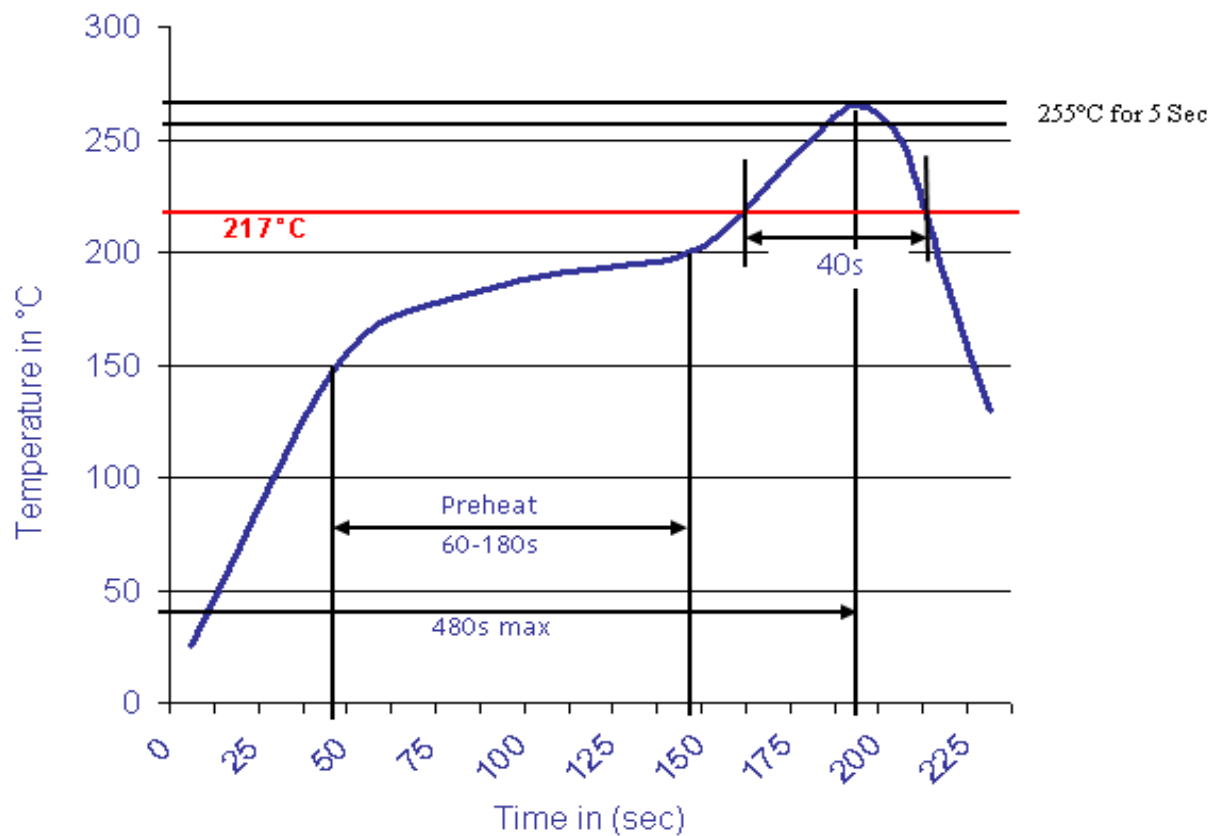
Part No.: **T64085**

DRW:	Jason	CHKD	Wilson	MATL:	Wilson	TOLERANCE	Mason	DATE	23.08.2015	Customer:
APPD:	Schumi			FINISH	Jamy		Sheet No.	3 from 4		



Soldering Profile Curve

Classification Reflow Profile (JEDEC J-STD-020C)



**Micro USB Connector 5P
B Type Straddle**

Part No.: **T64085**

DRW:	Jason	CHKD	Wilson	MATL:	Wilson	TOLERANCE	Mason	DATE	23.08.2015
APPD:	Schumi			FINISH	Jamy		Sheet No.	4 from 4	Customer: