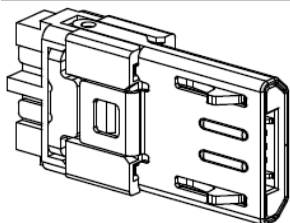


EDCON-COMPONENTS

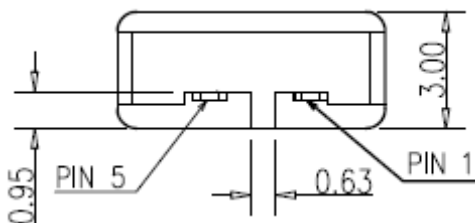
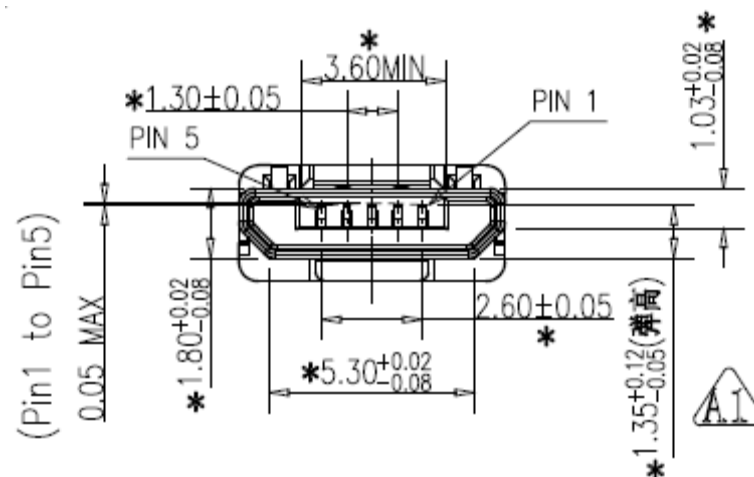


Specifications

Voltage Rating: 30 VAC
 Current Rating: 0,3A
 Operating Temperature: - 30°C to + 80°C
 Contact Resistance: 50m Ohm max.
 Withstanding Voltage: 100VAC min.
 Insulation Resistance: >100M Ohm min.
 Contact Thickness: 0,20mm

Material:
 Insulator : look order code
 Color: look order code
 Contact Material: look order code
 Contact Type: Stamped
 Contact Plating: look order code
 Shielding: look order code
 Lifetime: 1000 cycles min.
 Force: 10N min Initial 8~20N after 3000C

Drawing (dimensions all into mm)



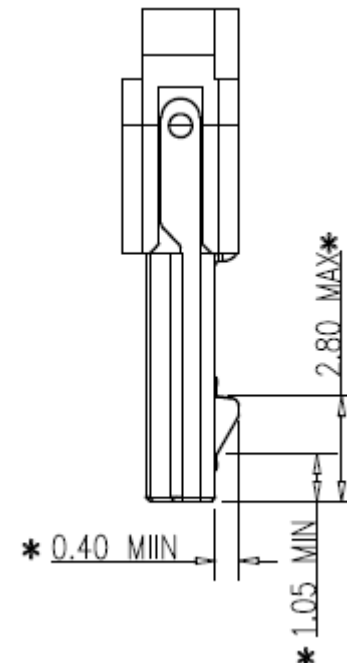
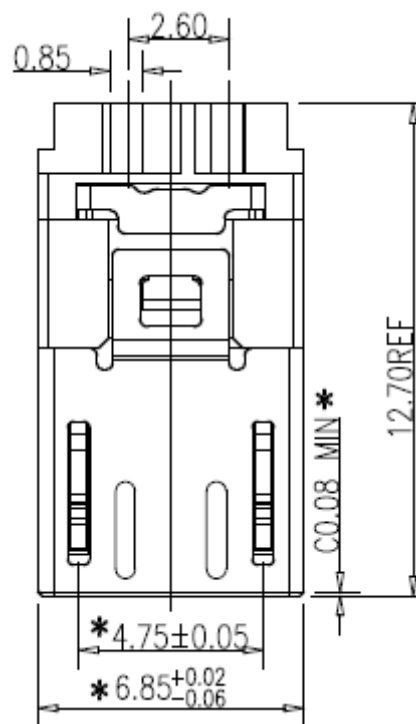
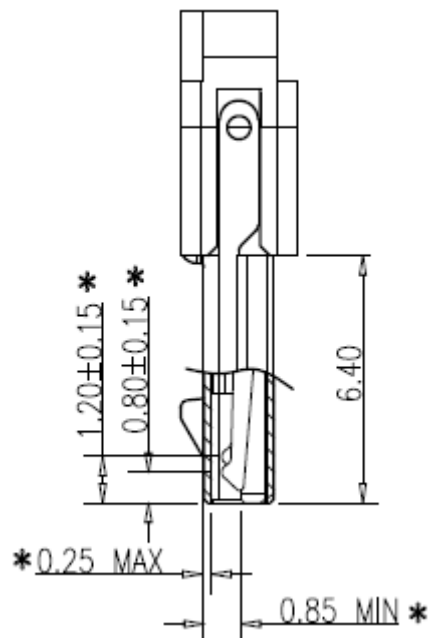
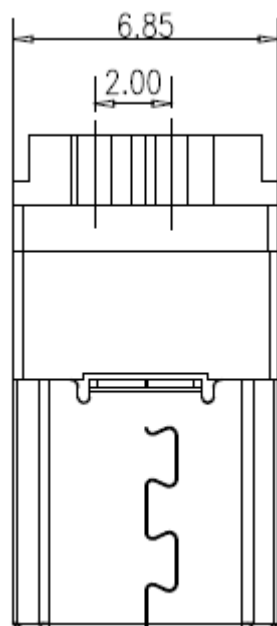
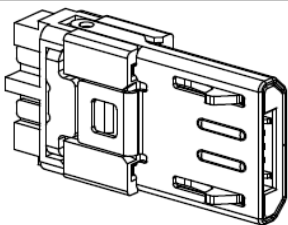
CONTACT NUMBER	SIGNAL NAME
PIN 1	D-
PIN 2	Short Circuit
PIN 3	
PIN 4	
PIN 5	D+

Micro USB Connector 5P Type B Solder Front Five Rear Two

Part No.: **T64083**

DRW:	Jason	CHKD	Wilson	MATL:	Wilson	TOLERANCE	Mason	DATE	23.08.2015	Customer:
APPD:	Schumi			FINISH	Jamy		Sheet No.	1 from 4		

EDCON-COMPONENTS

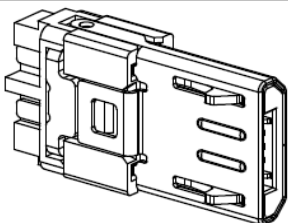


Micro USB Connector 5P Type B Solder Front Five Rear Two

Part No.: **T64083**

DRW:	Jason	CHKD	Wilson	MATL:	Wilson	TOLERANCE	Mason	DATE	23.08.2015
APPD:	Schumi			FINISH	Jamy		Sheet No.	2 from 4	Customer:

EDCON-COMPONENTS



Ordering Informations

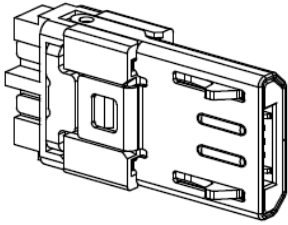
Serie	Color Inside	Shell Material	Insulator Material	Contact Material	Contact Plating	Special function	Packing	Packing		
T64083	BK	B	P	B	G0	0	R	BU		

BK= Black Color	B= Brass	P= PBT + 30% GF	B= Brass	G0= Gold Flash (Standard)	0= No Special function	R= ROHS conform	BU= Bulk Ware
WH= White Color	I= Iron	L= LCP	P= Phosphor Copper	G1= 3µ Gold		N= NON ROHS conform	TY= Tray Packing
	S= Stainless Steel			G1= 5µ Gold			TR= Tape / Reel w. Pic and Place Foil
				G1= 10µ Gold			IV= Individual Packing
				G1= 15µ Gold			
				G1= 30µ Gold			



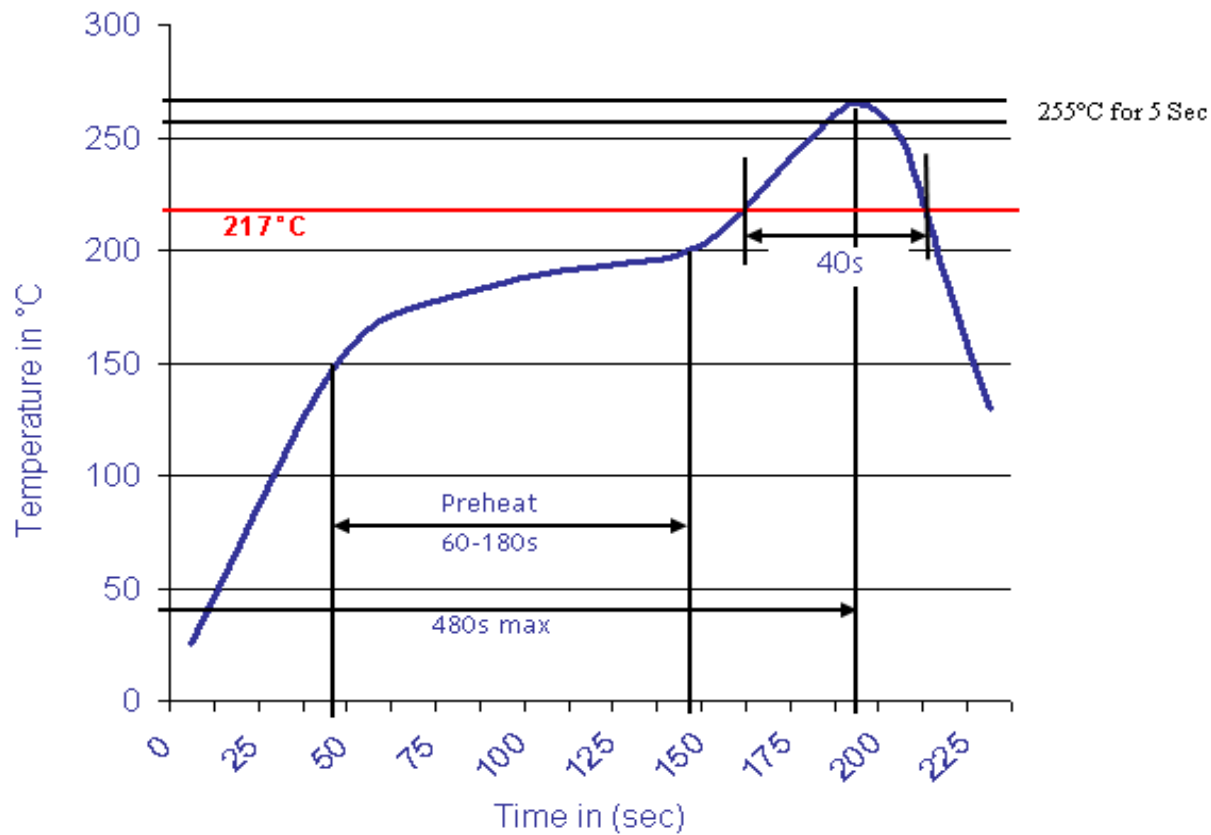
Micro USB Connector 5P Type B Solder Front Five Rear Two	
Part No.:	T64083
Customer:	

DRW:	Jason	CHKD	Wilson	MATL:	Wilson	TOLERANCE	Mason	DATE	23.08.2015
APPD:	Schumi			FINISH	Jamy			Sheet No.	3 from 4



Soldering Profile Curve

Classification Reflow Profile (JEDEC J-STD-020C)



**Micro USB Connector 5P
Type B Solder Front Five
Rear Two**

Part No.: **T64083**

DRW:	Jason	CHKD	Wilson	MATL:	Wilson	TOLERANCE	Mason	DATE	23.08.2015
APPD:	Schumi			FINISH	Jamy		Sheet No.	4 from 4	Customer: