

# EDCON-COMPONENTS



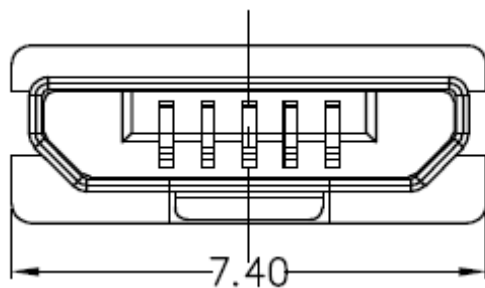
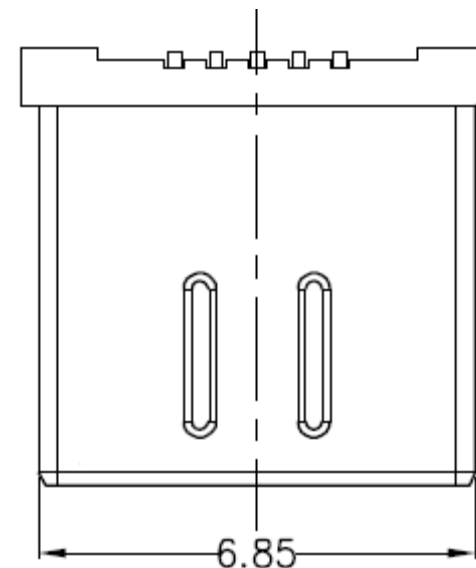
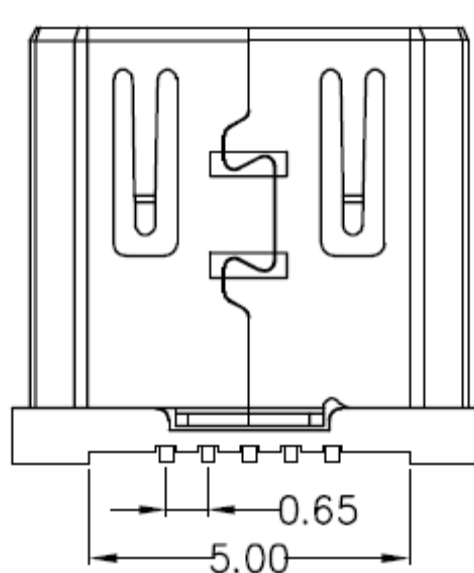
## Specifications

Voltage Rating: 30 VAC  
 Current Rating: 0,5A  
 Operating Temperature: - 30°C to + 80°C  
 Contact Resistance: 50m Ohm max.  
 Withstanding Voltage: 100VAC min.  
 Insulation Resistance: >100M Ohm min.  
 Contact Thickness: 0,20mm

### Material:

Insulator : look order code  
 Color: look order code  
 Contact Material: look order code  
 Contact Type: Stamped  
 Contact Plating: look order code  
 Shielding: look order code  
 Lifetime: 1000 cycles min.  
 Force: 10N min Initial 8~20N after 3000C

## Drawing ( dimensions all into mm)



**Micro USB Connector Type B  
 SMT Straight Type H=6,9mm**

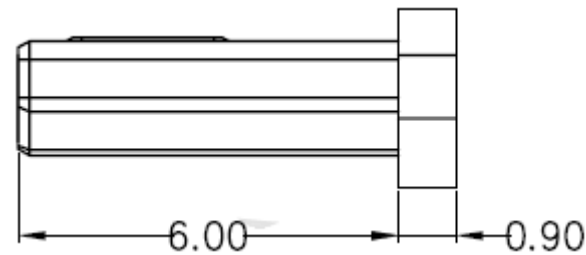
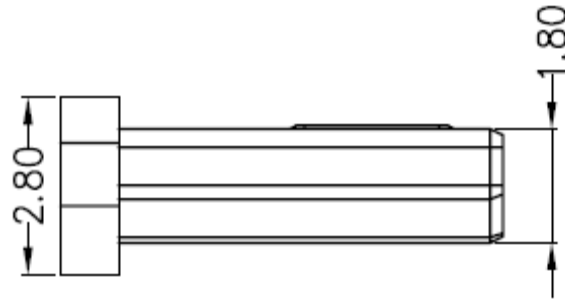
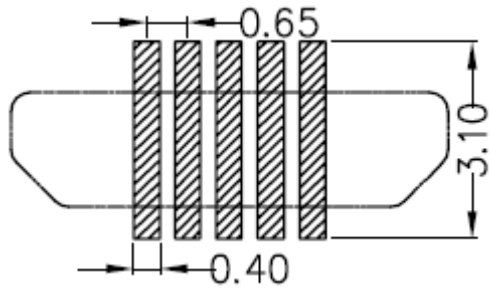
Part No.: **T64081**

DRW:	Jason	CHKD	Wilson	MATL:	Wilson	TOLERANCE	Mason	DATE	23.08.2015	Customer:
APPD:	Schumi			FINISH	Jamy		Sheet No.	1 from 4		

# EDCON-COMPONENTS



## PCB Layout



**Micro USB Connector Type B  
SMT Straight Type H=6,9mm**

Part No.: **T64081**

DRW:	Jason	CHKD	Wilson	MATL:	Wilson	TOLERANCE	Mason	DATE	23.08.2015	Customer:
APPD:	Schumi			FINISH	Jamy		Sheet No.	2 from 4		

# EDCON-COMPONENTS



## Ordering Informations

Serie	Color Inside	Shell Material	Insulator Material	Contact Material	Contact Plating	Special function	Packing	Packing		
<b>T64081</b>	<b>BK</b>	<b>B</b>	<b>P</b>	<b>B</b>	<b>G0</b>	<b>0</b>	<b>R</b>	<b>BU</b>		

<b>BK=</b> Black Color	<b>B=</b> Brass	<b>P=</b> PBT + 30% GF	<b>B=</b> Brass	<b>G0=</b> Gold Flash (Standard) <b>G1=</b> 3µ Gold <b>G1=</b> 5µ Gold <b>G1=</b> 10µ Gold <b>G1=</b> 15µ Gold <b>G1=</b> 30µ Gold	<b>0=</b> No Special function	<b>R=</b> ROHS conform	<b>BU=</b> Bulk Ware
<b>WH=</b> White Color	<b>I=</b> Iron	<b>L=</b> LCP	<b>P=</b> Phosphor Copper			<b>N=</b> NON ROHS conform	<b>TY=</b> Tray Packing
	<b>S=</b> Stainless Steel						<b>TR=</b> Tape / Reel w. Pic and Place Foil
							<b>IV=</b> Individual Packing

**PIC and PLACE FOIL** for automatic assembly machine



**Micro USB Connector Type B  
SMT Straight Type H=6,9mm**

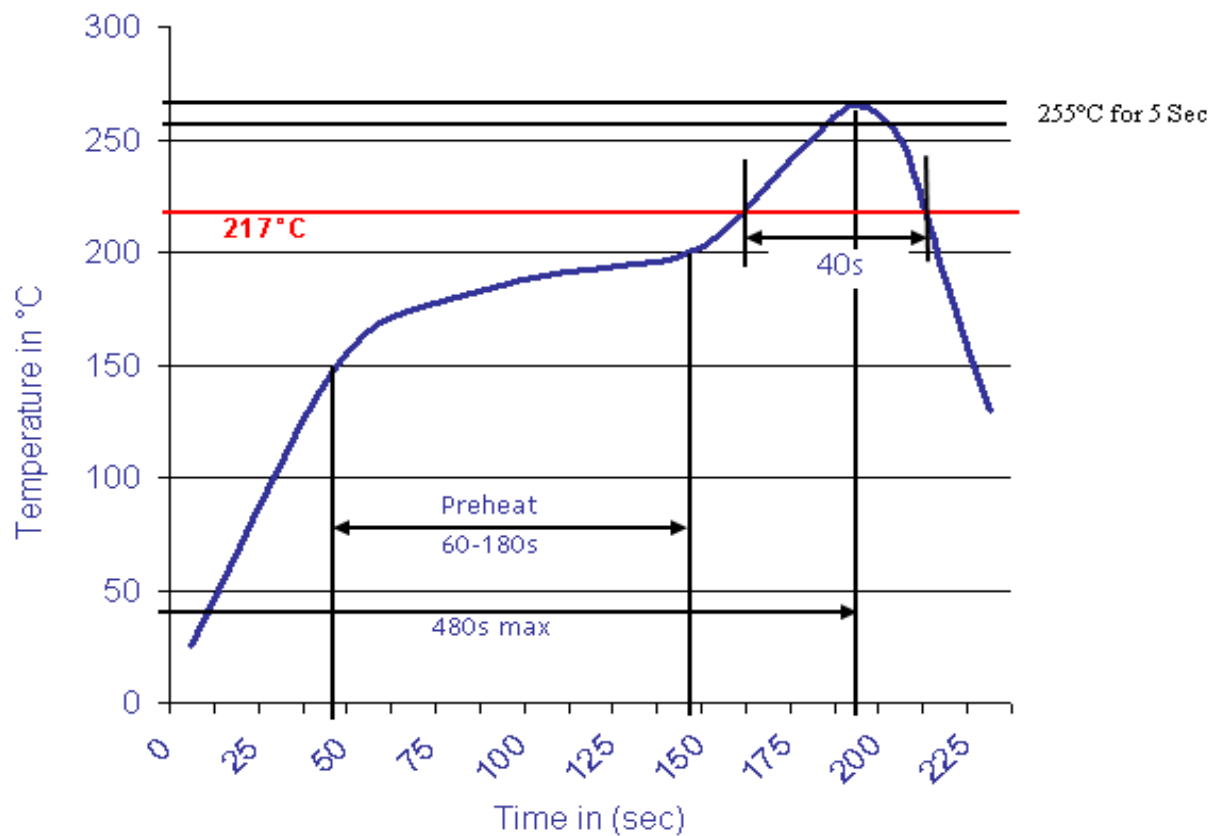
Part No.: **T64081**

DRW:	Jason	CHKD	Wilson	MATL:	Wilson	TOLERANCE	Mason	DATE	23.08.2015	Customer:
APPD:	Schumi			FINISH	Jamy			Sheet No.	3 from 4	



Soldering Profile Curve

Classification Reflow Profile (JEDEC J-STD-020C)



**Micro USB Connector**  
**Type B SMT Straight Type**  
**H=6.9mm**  
 Part No.: **T64081**

DRW:	Jason	CHKD	Wilson	MATL:	Wilson	TOLERANCE	Mason	DATE	23.08.2015
APPD:	Schumi			FINISH	Jamy		Sheet No.	4 from 4	Customer: