

EDCON-COMPONENTS



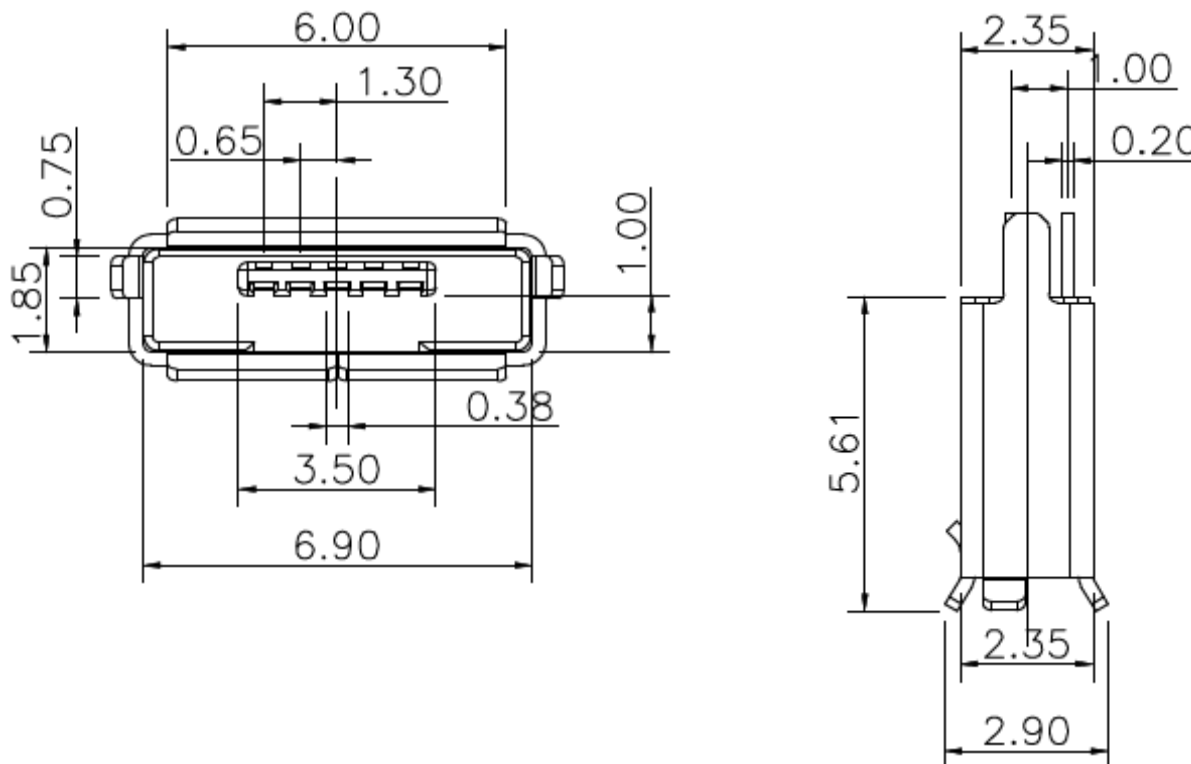
Specifications

Voltage Rating: 30 VAC
 Current Rating: 1,0A
 Operating Temperature: - 30°C to + 80°C
 Contact Resistance: 50m Ohm max.
 Withstanding Voltage: 100VAC min.
 Insulation Resistance: >100M Ohm min.
 Contact Thickness: 0,20mm

Material:

Insulator : look order code
 Color: look order code
 Contact Material: look order code
 Contact Type: Stamped
 Contact Plating: look order code
 Shielding: look order code
 Lifetime: 1000 cycles min.
 Force: 3,57kgf

Drawing (dimensions all into mm)



**Micro USB Connector Type AB
DIP Straight Type**

Part No.: **T64079**

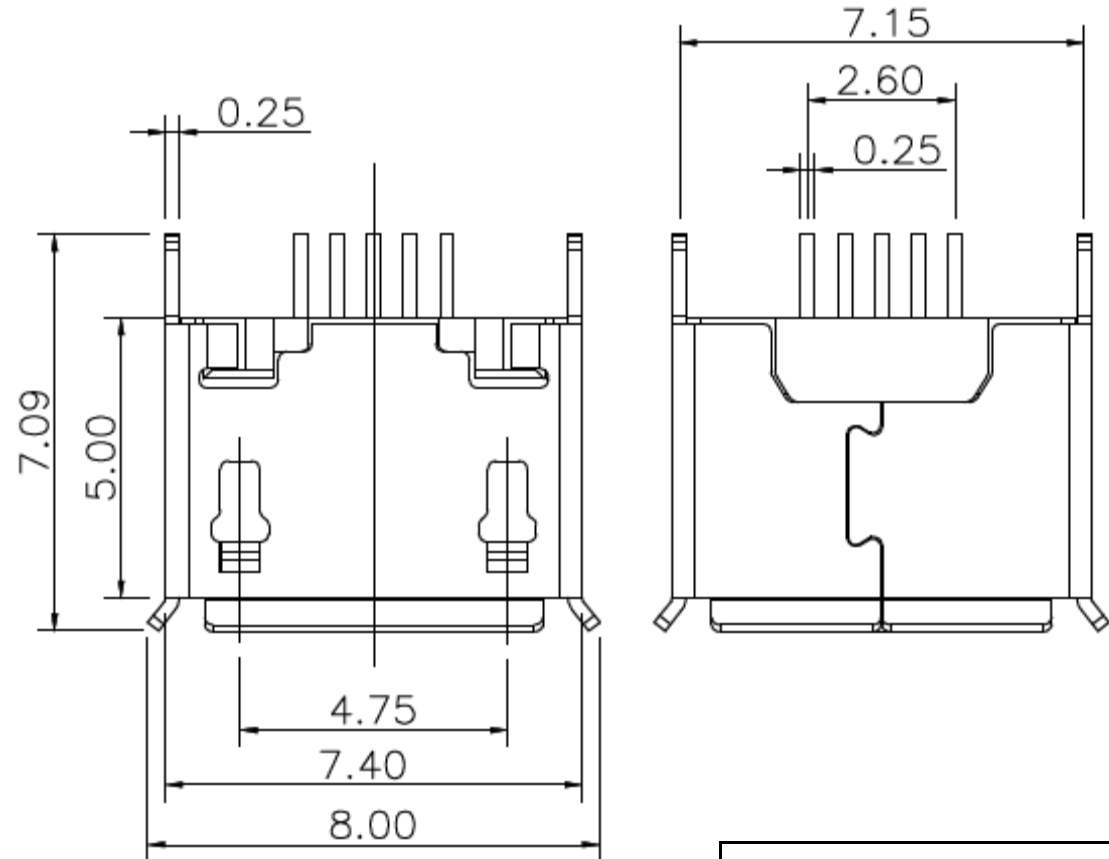
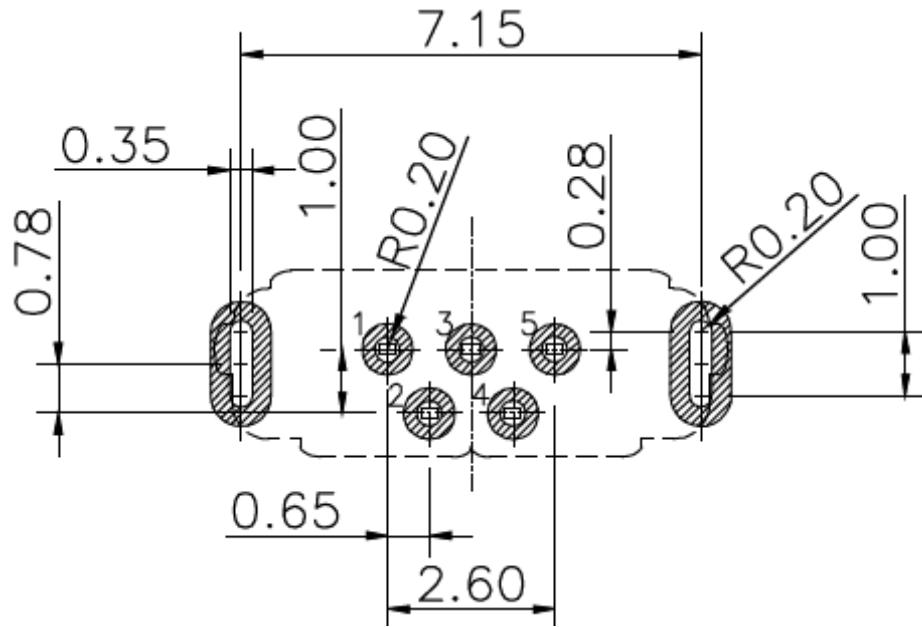
DRW:	Jason	CHKD	Wilson	MATL:	Wilson	TOLERANCE	Mason	DATE	15.08.2015
APPD:	Schumi			FINISH	Jamy		Sheet No.	1 from 4	Customer:

www.edcon-components.com

email: info@edcon-components.com



PCB Layout



**Micro USB Connector Type AB
DIP Straight Type**

Part No.: **T64079**

DRW:	Jason	CHKD	Wilson	MATL:	Wilson	TOLERANCE	Mason	DATE	15.08.2015
APPD:	Schumi			FINISH	Jamy		Sheet No.	2 from 4	Customer:

EDCON-COMPONENTS



Ordering Informations

Serie	Color Inside	Shell Material	Insulator Material	Contact Material	Contact Plating	Special function	Packing	Packing		
T64079	BK	B	P	B	G0	0	R	BU		

BK= Black Color	B= Brass	P= PBT + 30% GF	B= Brass	G0= Gold Flash (Standard)	0= No Special function	R= ROHS conform N= NON ROHS conform	BU= Bulk Ware
WH= White Color	I= Iron	L= LCP	P= Phosphor Copper	G1= 3µ Gold			TR= Tape / Reel w. Pic and Place Foil
	S= Stainless Steel			G1= 5µ Gold			
				G1= 10µ Gold			
				G1= 15µ Gold			
				G1= 30µ Gold			
					IV= Individual Packing		

PIC and PLACE FOIL for automatic assembly machine



**Micro USB Connector Type AB
DIP Straight Type**

Part No.: **T64079**

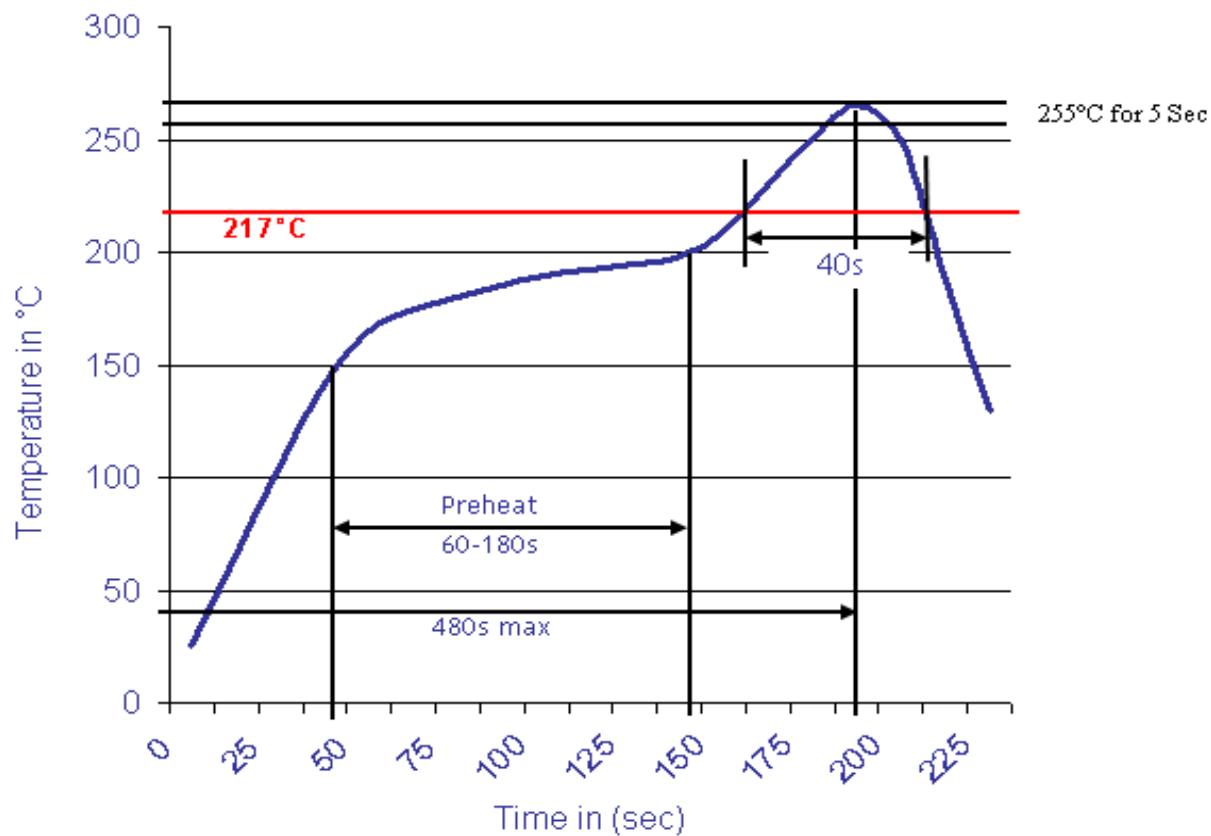
DRW:	Jason	CHKD	Wilson	MATL:	Wilson	TOLERANCE	Mason	DATE	15.08.2015
APPD:	Schumi			FINISH	Jamy		Sheet No.		3 from 4

Customer:



Soldering Profile Curve

Classification Reflow Profile (JEDEC J-STD-020C)



Micro USB Connector	
Type AB DIP Straight	
Type	
Part No.:	T64079
Customer:	

DRW:	Jason	CHKD	Wilson	MATL:	Wilson	TOLERANCE	Mason	DATE	15.08.2015
APPD:	Schumi			FINISH	Jamy		Sheet No.	4 from 4	